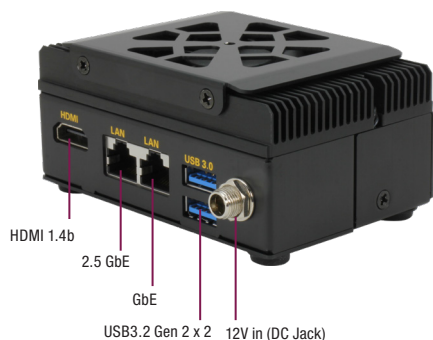


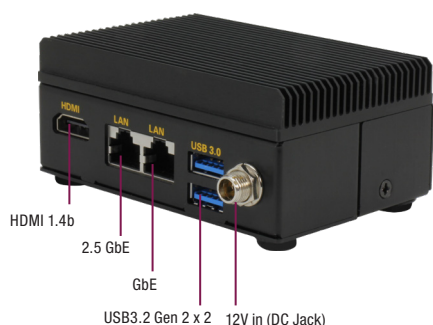
de next-TGU8-EZBOX

de next system with onboard 11th Gen. Intel® Core™ Series Processor

With Cooler



With Heatsink



Features

- Onboard 11th Gen. Intel® Core™ Series Processor, TDP 15W
- Onboard LPDDR4x 3733 up to 16GB
- HDMI 1.4b x 1
- 2.5GbE RJ45 x 1, GbE RJ45 x 1
- USB 3.2 Gen 2 x 2
- M.2 2280 M-Key x 1 (PCIe [x2] x 1)
- DC 12V in
- Multiple Dissipation Solutions: with CPU Cooler/Heatsink

| | |
|--|---|
| Display Interface | HDMI 1.4b x 1, up to 3840 x 2160 @30Hz |
| Multiple Display | Single Display |
| Audio | |
| Codec | — |
| Audio Interface | — |
| Speaker | — |
| External I/O | |
| Ethernet | Intel® Ethernet Controller I225/I226, 2.5GbE RJ-45 x 1 Intel® Ethernet Connection I219, 1GbE RJ-45 x 1 |
| USB | USB 3.2 Gen 2 x 2 |
| Serial Port | — |
| Video | HDMI 1.4b x 1, up to 3840 x 2160 @30Hz |
| Internal I/O | |
| USB | — |
| Serial Port | — |
| Video | — |
| SATA | — |
| Audio | — |
| DIO/GPIO | — |
| SMBus/I2C | — |
| Touch | — |
| Fan | 4 Pin Smart Fan (with Cooler version only) |
| Sim | — |
| Front Panel | — |
| Others | — |
| Expansion | |
| Mini PCIe/mSATA | — |
| M.2 | M.2 2280 M-Key x 1 (PCIe 4.0 [x2] x 1) |
| Others | — |
| Environment & Certification | |
| Operating Temp. | 14°F ~122°F (-10°C~50°C) with 0.7m/sec air flow |
| Storage Temp. | -40°F ~ 176°F (-40°C ~ 80°C) |
| Operating Humidity | 0% ~ 90% relative humidity, non-condensing |
| MTBF (Hours) | 609,263 |
| EMC | CE/FCC Class A |

Specifications

| System | |
|-------------------|--|
| Form Factor | de next System |
| CPU | Onboard 11th Gen Intel® Core™ Processors Intel® Core™ i7-1185G7E (4C/8T, 1.80 GHz, 15W), with Cooler Version Only Intel® Core™ i5-1145G7E (4C/8T, 1.50 GHz, 15W), with Cooler Version Only Intel® Core™ i3-1115G4E (2C/4T, 2.20 GHz, 15W), with Cooler Version & Heatsink Version |
| Chipset | Integrated with Intel® SoC |
| Memory Type | Onboard LPDDR4x 3733, up to 16GB |
| BIOS | UEFI |
| Wake on LAN | Yes |
| Watchdog Timer | 255 Levels |
| Security | fTPM |
| RTC Battery | Lithium Battery 3V/240mAh |
| Dimensions | 3.75" x 2.73" x 1.78" (95.5mm x 69.5mm x 45.4mm), with Cooler Version 3.75" x 2.73" x 1.67" (95.5mm x 69.5mm x 42.5mm), with Heatsink Version |
| OS Support | Windows 10 (64bit) Ubuntu 20.04.4 (Kernel 5.13) |
| Power | |
| Power Requirement | +12V |
| Power Supply Type | AT/ATX |
| Connector | DC Jack Connector |
| Power Consumption | Intel® Core™ i7-1185G7E, LPDDR4x 16GB, 4.58A@12V, 55W (Typical) Intel® Core™ i7-1185G7E, LPDDR4x 16GB, 7A@12V, 84W (Max) |
| Display | |
| Controller | Intel® UHD Graphics for 11th Gen Intel® Processors |
| LVDS/eDP | — |

Packing List

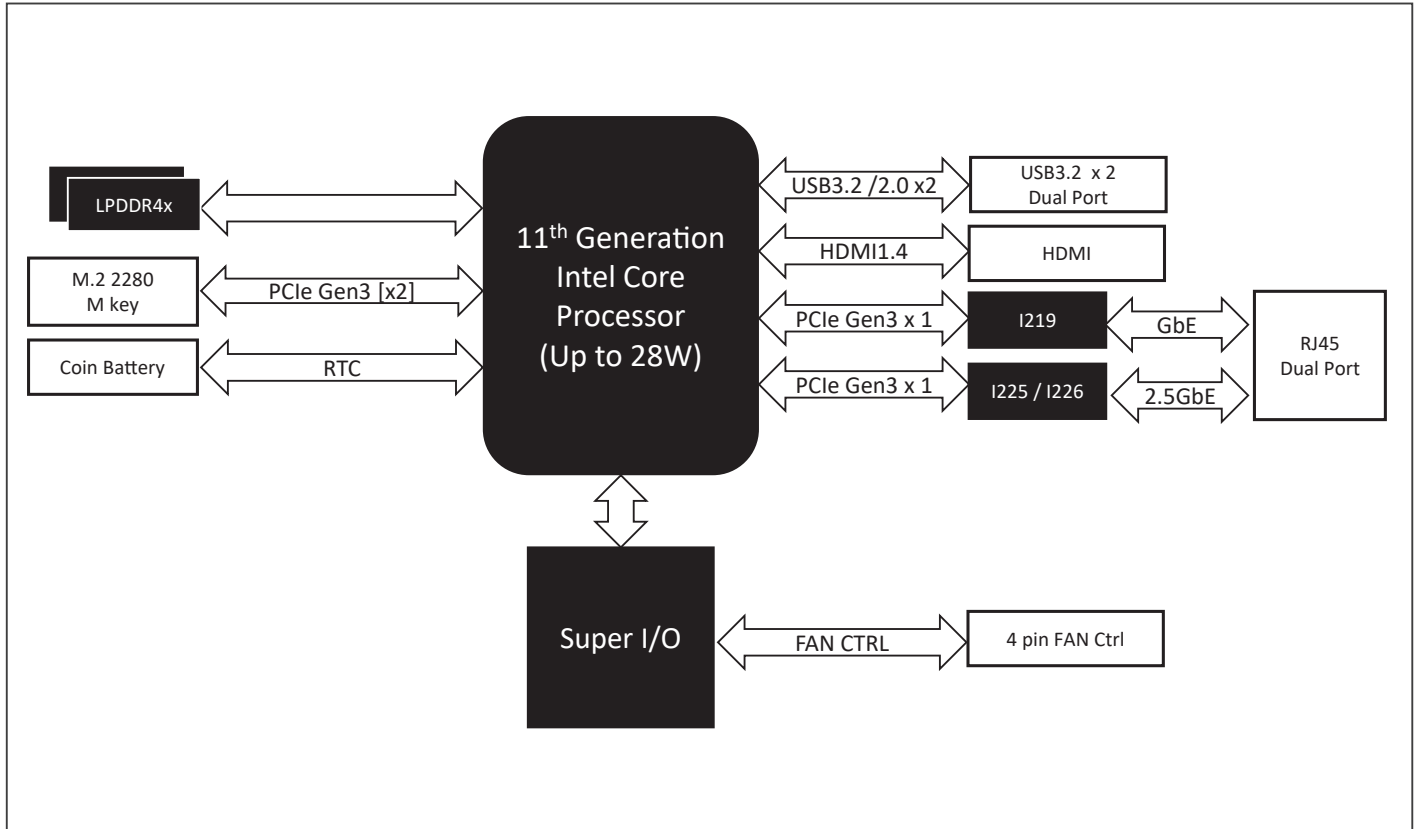
- de next-TGU8-EZBOX x 1
- Wall Mount Bracket & Screw x 1
- Thermal Pad x 1

Optional Accessories

| Part Number | Description | QTY |
|-------------|--|-----|
| 1255900903 | (TF)Power Adapter:100/240V.50/60Hz.12V/7.5A.90W.DELTA.DPS-90AB-3 A | 1 |

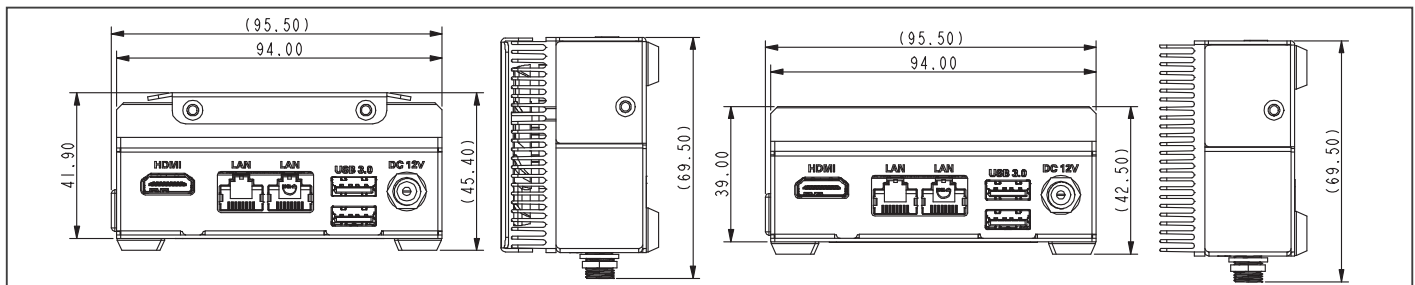
Note: All specifications are subject to change without notice.

Block Diagram



Dimension

Unit: mm



Ordering Information

| Part Number | CPU | Memory | Display | Storage | LAN | USB | COM Port | Expansion | Power | Operating Temperature | Others |
|--------------------------|-------------------------|----------------------|--------------|-------------------------------|----------------------|-------------------|----------|-------------------------------|-------|-----------------------|-------------------------|
| DENEXT-TGU8-EBX-A10-A001 | Intel® Core™ i7-1185G7E | Onboard LPDDR4x 16GB | HDMI 1.4 x 1 | M.2 2280 M key (PCIe[x2] x 1) | 2.5 GbE x 1, GbE x 1 | USB 3.2 Gen 2 x 2 | — | M.2 2280 M key (PCIe[x2] x 1) | +12V | -10°C ~ 50°C | with CPU Cooler Version |
| DENEXT-TGU8-EBX-A10-A002 | Intel® Core™ i5-1145G7E | Onboard LPDDR4x 16GB | HDMI 1.4 x 1 | M.2 2280 M key (PCIe[x2] x 1) | 2.5 GbE x 1, GbE x 1 | USB 3.2 Gen 2 x 2 | — | M.2 2280 M key (PCIe[x2] x 1) | +12V | -10°C ~ 50°C | with CPU Cooler Version |
| DENEXT-TGU8-EBX-A10-A003 | Intel® Core™ i3-1115G4E | Onboard LPDDR4x 16GB | HDMI 1.4 x 1 | M.2 2280 M key (PCIe[x2] x 1) | 2.5 GbE x 1, GbE x 1 | USB 3.2 Gen 2 x 2 | — | M.2 2280 M key (PCIe[x2] x 1) | +12V | -10°C ~ 50°C | with CPU Cooler Version |
| DENEXT-TGU8-EBX-A10-P001 | Intel® Core™ i3-1115G4E | Onboard LPDDR4x 16GB | HDMI 1.4 x 1 | M.2 2280 M key (PCIe[x2] x 1) | 2.5 GbE x 1, GbE x 1 | USB 3.2 Gen 2 x 2 | — | M.2 2280 M key (PCIe[x2] x 1) | +12V | -10°C ~ 50°C | with Heatsink Version |