

W32IAD7T-GPA3

32" Edge AI Panel PC with Intel® Alder Lake S / Raptor Lake S Processor



KEY FEATURES

- 32", 1920 x 1080 resolution with P-CAP touchscreen
- Supports Intel® 12/14th generation Alder LakeS/Raptor Lake S processor
- Supports single NVIDIA RTX™A2000 / T1000 GPU
- Supports Intel® vPro
- Up to 2 x 262pin SODIMM DDR5 4800MHz up to 64GB(32GB per Slot)
- 2 x Intel 2.5 Gigabit LAN, 4 x USB3.2 Gen 2x1
- Supports Two display, 1 x HDMI 2.0, 1 x DP 1.4a
- 80 ~ 264VAC Power Input with 3 Pin AC Plug



SPECIFICATIONS

Display

Resolution	1920x1080	Size	32.0 inches
Contrast Ratio	4000:1	Panel Brightness	400.0 nits
View Angles	89,89,89,89	Active Area	698.4x392.85 mm
Touch / Glass	Projected Capacitive Multi Touch Screen		

System Specification

Processor	Intel® Core™ i7-12700TE(up to 4.6GHz) Intel® Core™ i9-12900TE(up to 4.80GHz) (Optional) Intel® Core™ i7-14700T(up to 5.2GHz) (Optional) Intel® Core™ i9-14900T(up to 5.5GHz) (Optional)	Chipset	Intel® R680E
Memory	SO-DIMM, DDR5 4800 MHz, 8+8GB 16+16GB (Optional) 32+32GB (Optional)	Storage	1 x M.2 2280 M-Key NVMe SSD, 512GB 1TB (Optional) 2TB (Optional)
Ethernet controller	2 x Intel® 2.5 Gigabit Ethernet Controller	Security	TPM 2.0
Operating System	Windows 11 IoT Enterprise (64 bit) (Optional) Windows 11 Pro 64 bit (Optional) Linux Ubuntu 22.04(Do not support Wake on Touch) (Optional)	WLAN	Support (Optional)
BT	Support (Optional)	AI Accelerator	Hailo 8™ AI accelerator module, up to 26 TOPS(When using this feature, WLAN will not be supported) (Optional)
Graphic Card	NVIDIA® RTX A4000 16GB Graphic Card (Optional) NVIDIA® RTX A2000 12GB Graphic Card (Optional) NVIDIA® T1000 8GB Graphic Card (Optional)		

Mechanical

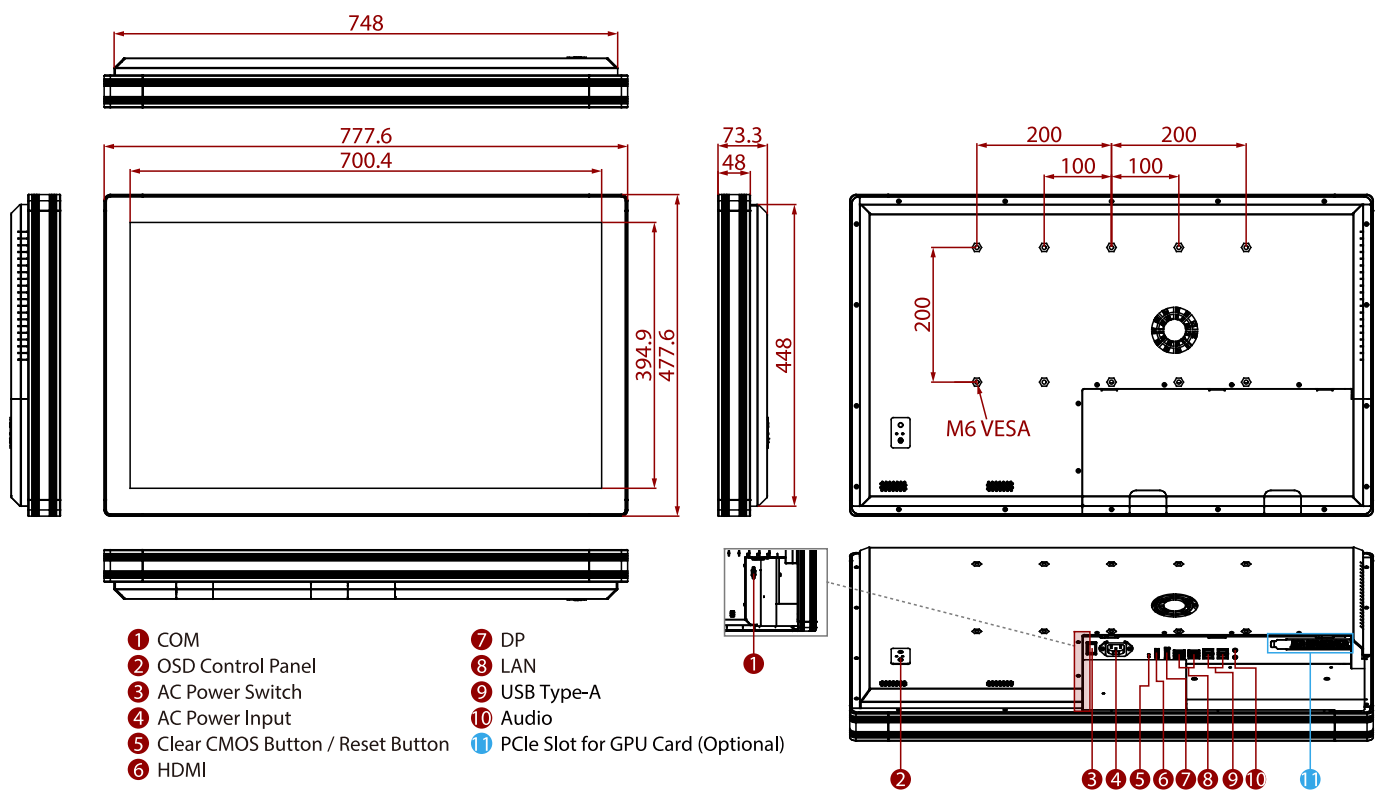
Dimension	777.6 x 477.6 x 73.3 mm	Weight	14.8 kg
Mounting	VESA Mount	Enclosure	Metal Housing
Cooling System	Fan design		

Environment

Operating Humidity	10% to 90% RH, Non-Condensing	Operating Temperature	0°C to 55°C
Storage Temperature	-10°C to 60°C	IP rating	Front IP65

Certification	
Certification	CE, FCC
IO Ports	
Power Input	1 x 3 Pin AC Plug
Serial Port	1 x RS232/422/485 (Default RS232)
Audio	Mic in Line out
LAN	2 x 2.5 Giga LAN RJ45 Connector
USB Port	4 x USB 3.2 Gen2x1 (10Gbps, TypeA)
Video	1 x DP1.4a DP++ , Max resolution up to 4096x2160@60Hz 1 x HDMI 2.0b , Max resolution up to 4096x2160@60Hz (Optional)
Expansion Port	1 x M.2 2280 M-Key Slot (for NVME SSD) 1 x M.2 2230 E-Key Slot (for Wi-Fi module or Hailo 8™ AI accelerator module) 1 x PCIe 5.0 (x16) slot
Indicator	1 x LED Indicator for power 1 x LED Indicator for storage
Control	
Button	1 x AC Power Switch 1 x Power Button 1 x Clear CMOS Button 2 x Reset Button
Accessory	
Accessory	Power Cord VESA screws
Power	
Power Rating	80 ~ 264VAC 90 ~ 264VAC (With NVIDIA® RTX A4000 16GB Graphic Card Sku) (Optional)
Consumption	300W 500W (With NVIDIA® RTX A4000 16GB Graphic Card Sku) (Optional)

DIMENSIONS UNIT:MM



NOTE

- 1.This is a simplified drawing and some components are not marked in detail.
- 2.Please contact our sales representative if you need further product information.
- 3.All specifications are subject to change without prior notice.
- 4.The product shown in this datasheet is a standard model.For diagrams that contain customized or optional I/ O, please contact the Winmate Sales Team for more information.

