



## INDUSTRIAL TOUCH SCREEN MONITOR

## VIO-110-MX200

10.4" SVGA 4:3 Resistive / Capacitive Touch Monitor with 2x 5W Speaker



## Features

- 10.4" TFT SVGA 4:3 LCD with resistive 5-wire / projected capacitive touch
- 1x VGA, 1x HDMI, 1x DisplayPort, 1x USB 2.0, 1x COM, 1x Audio
- 9 to 48VDC wide range power input
- -10°C to 60°C extended operating temperature
- Designed with aluminum die-casting front frame
- IP65 compliant front panel
- Two 5W internal speakers built-in
- Multi-language OSD built-in

## Specifications

| Display                         |  |
|---------------------------------|--|
| IP Rating                       | IP65   |
| LCD Size                        | 10.4" (4:3)  |
| Max. Resolution                 | 800 x 600 (SVGA)   |
| Brightness (cd/m <sup>2</sup> ) | 400  |
| Contrast Ratio                  | 700:1  |
| LCD Color                       | 16.2M  |
| Pixel Pitch (mm)                | 0.264(H) x 0.264(V)  |
| Viewing Angle                   | 160/130  |
| Backlight MTBF                  | 70000 hrs (LED Backlight)  |
| Touch                           |  |
| Projected Capacitive            | VIO-110C-MX200   |
| Resistive 5-Wire                | VIO-110R-MX200   |
| I/O                             |  |
| Audio                           | 1x Audio Input   |
| COM                             | 1x COM Port Input (Resistive Touch Only)   |
| USB                             | 1x USB 2.0 (For Resistive Touch or P-CAP Touch)                                      |
| DP                              | 1x DisplayPort   |
| HDMI                            | 1x HDMI  |
| VGA                             | 1x VGA   |
| Others Features                 |  |
| Speaker                         | AMP 5W + 5W  |
| OSD                             | LCD On/Off, Auto, Menu, Up and Down Multi-language                                   |
| Power                           |  |
| Power Adapter                   | Optional AC/DC 12V/5A, 60W   |
| Power Management                | Power Ignition Management  |
| Power Mode                      | AT, ATX  |
| Power Supply Voltage            | 9~48 VDC   |
| Power Connector                 | 3-Pin Terminal Block   |
| Power Protection                | OVP (Over Voltage Protection)<br>OCP (Over Current Protection)<br>Reverse Protection |
| Operating Temperature           | -10 °C ~ 60 °C   |
| Storage Temperature             | -20 °C to 70 °C  |
| Relative Humidity               | 10% ~ 80% (non-condensing)   |
| IP Level                        | IP 65 Compliant Front Panel  |
| Certification                   | CE, FCC Class A  |
| Vibration                       | 1.5 Grms, 5 - 500 Hz, 0.5 hr/axis  |
| Shock                           | 20G, half sine, 11ms   |
| Physical                        |  |
| Dimensions                      | 300 (W) x 238.5 (D) x 64.7 (H) mm  |
| Weights                         | 3.67 kg ~ 3.74 kg  |
| Mounting Options                | VESA Mounting Holes 75 x 75mm, 100 x 100mm   |

## Available Models

- VIO-110R-MX200  
10.4" 4:3 SVGA Resistive Touch Thin Frame Monitor with 2x 5W Speaker
- VIO-110C-MX200  
10.4" 4:3 SVGA Capacitive Touch Thin Frame Monitor with 2x 5W Speaker

## Optional Accessories

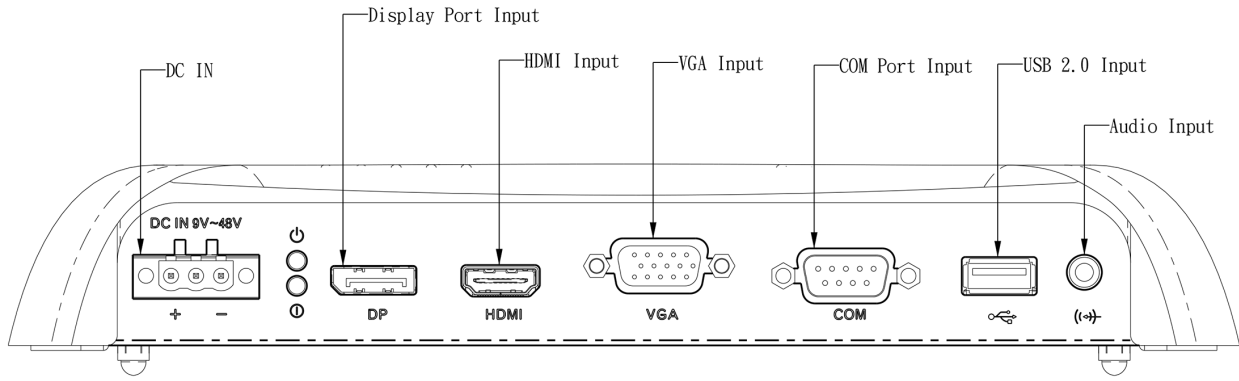
- 1-E09A06008  
Adapter AC/DC 12V 5A 60W with 3pin Terminal Block Plug 5.0mm Pitch
- SFICBL022  
Power Cord, 3-pin US Type, 180cm
- 1-TPCD00002  
Power Cord, European Type
- 1-TPCD00001  
Power Cord, 3-pin UK Type, 180cm

## Packing List

- 1x VIO-110-MX200 Touch Monitor
- 6x Panel Mount Kit
- 1x USB Cable
- 1x VGA Cable
- 1x Screw Pack

\* All specifications and photos are subject to change without notice.

## External I/O Mechanical Layout



## Dimension

Unit: mm

