

### Features

- 19" Black steel enclosure industrial display
- IP65 compliant front bezel
- OSD at front side
- VESA mount 75 x 75
- Anti-reflection glass in front for protection (optional touch panel)
- Default DC 9~36V input, option AC 100~240V input
- VGA, DVI, HDMI, and DP input

### Specifications

I/O Port	
VGA	1 x VGA
DVI	1 x DVI-D
DP	1 x DP
HDMI	1 x HDMI
Audio	1 x Audio Line-in phone jack
Power Input	1 x 3 pin terminal block , DC 9~36V AC 100~240V (option)
Others	1 x USB type B for touch control 1 x RS-232 DB-9 for touch control 1 x AC inlet (option)
OSD Control	OSD on the front side default, OSD on the rear side (option)

Display	Standard	High Brightness Optional
Display Type	19" TFT-LCD	19" TFT-LCD
Max. Resolution	1280 x 1024	1280 x 1024
Max. Color	16.7M	16.7M
Luminance (cd/m <sup>2</sup> )	350	1000
View Angle	165(H) / 165(V)	170(H) / 160(V)
Contrast	1000:1	1000:1
Backlight Lifetime	50,000 hrs	50,000 hrs

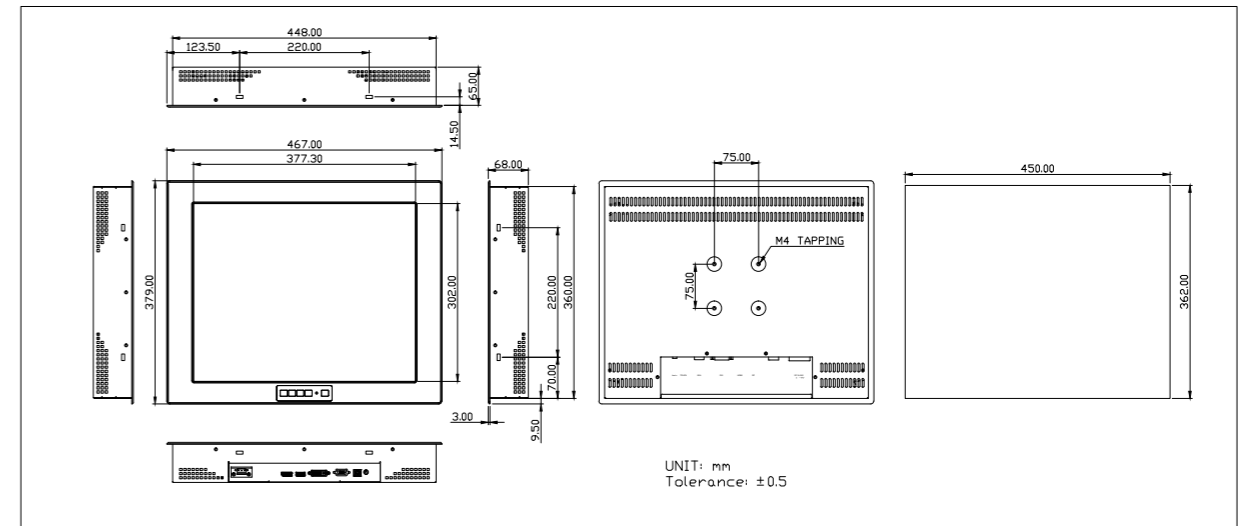
Touch Screen	
Type	Resistive Touch
Interface	USB default RS-232 option
Light Transmission(%)	80%

Power	
Power Input	DC 9~36V, AC 100~240V (option)
Power Consumption	TBD

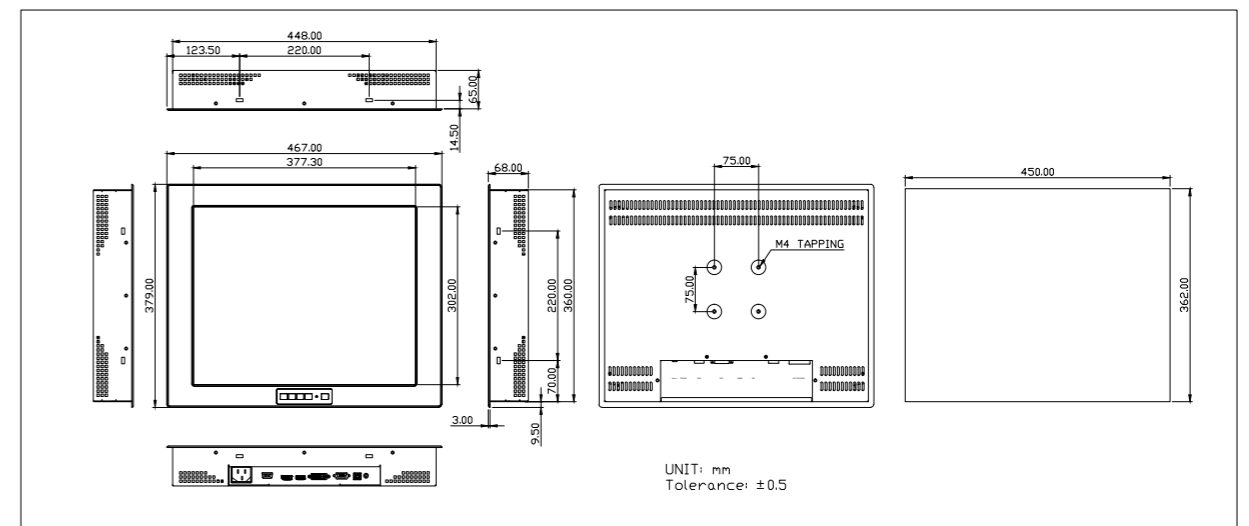
Mechanical	
Construction	Black Steel Front Panel Option Front Bezel : Stainless / Aluminum
Mounting	Panel mount / VESA mount 75 x 75 / Rack Mount (Option)
IP Rating	Front side IP65
Dimensions (WxHxD)	467 x 379 x 68 mm
Net Weight	7.2 kg

### Dimensions

#### ADP-1194A DC



#### ADP-1194A AC



Environmental	
Operating Temperature	0~50°C / -20~60°C for option
Storage Temperature	-30~70°C
Humidity	10 to 95% @ 40°C, Non-condensing
Certificate	CE/FCC, Class A

Ordering Information	
ADP-1194A	19" 1280 x 1024 industrial display, VGA, DVI-D, HDMI, DP input, 5 keys front OSD, DC 9~36V power input, no touch with protective glass, black steel enclosure
ADP-1194AT (option)	19" 1280 x 1024 industrial display, VGA, DVI-D, HDMI, DP input, 5keys front OSD, DC 9~36V power input, 5-wire resistive touch, black steel enclosure