

# W40L100-MLM1FG

## 40" 4K2K UHD Defence Display



### KEY FEATURES

- 40" 4K2K UHD Protective Glass Rack Mount Defence Display (3840 x 2160) native resolution
- Compliant MIL-STD 810G/ MIL-STD 461E
- Rack mount mechanical design, supports VESA mount
- AR protection glass
- Defence-grade power connector (MIL-DTL-38999/1)
- AC 100~240V, Universal, ±10%; DC 9~36V, ±10% (Optional)
- Convenient on-screen display controls



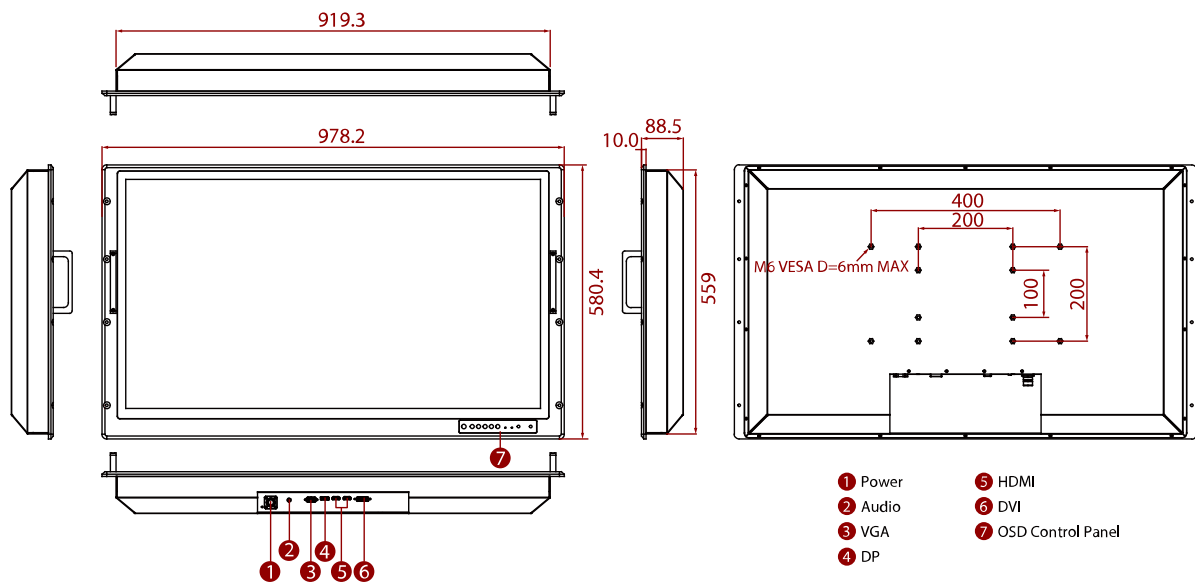
### SPECIFICATIONS

Display			
<b>Resolution</b>	3840x2160	<b>Size</b>	40 inches
<b>Contrast Ratio</b>	5000:1	<b>Panel Brightness</b>	350 nits
<b>Display Color</b>	1.07G (8-bit+FRC) Colors	<b>View Angles</b>	89,89,89,89
<b>Active Area</b>	878.112 x 485.352 mm	<b>Touch / Glass</b>	AR Protection Glass EMI ITO Glass (Optional)
Environment			
<b>Operating Humidity</b>	10% to 95% RH	<b>Operating Temperature</b>	0~50°C
<b>Storage Temperature</b>	-10°C~60°C		
Certification			
<b>Certification</b>	CE, FCC		
Compliance			
<b>MIL-STD 461E/F</b>	RE101 / RE102 CE101 / CE102 with EMI Glass / Touch(Optional) RS101 / RS 103 CS101 / CS 106 / CS 109 / CS 114 / CS 115 / CS 116	<b>MIL-STD 810F/G</b>	Vibration Method 514.5 Humidity Method 507.4 Transit Drop Method516.5
IO Ports			
<b>Serial Port</b>	1 x RS232 for Remote Control (Optional)	<b>Video</b>	1 x VGA 1 x DVI 1 x Display Port 1.2 1 x HDMI 1.4 (Optional) 1 x HDMI 2.0 (Optional)
<b>Audio</b>	1 x Audio Line In (Optional)		
Mechanical			
<b>Dimension</b>	978.2 x 580.4 x 88.5 mm	<b>Mounting</b>	VESA Mount/ Rack Mount
<b>Enclosure</b>	Metal	<b>Cooling System</b>	Fanless Design
Accessory			
<b>Accessory</b>	1 x User Manual(Hardcopy) 1 x Power Cord MILDTL38999/1 1 x VGA Cable	<b>Optional Accessory</b>	1 x Audio cable

- 1 x DVI Cable
- 2 x HDMI Cable
- 1 x DP Cable

<b>Power</b>	
<b>Power Rating</b>	AC 100~240V, Universal, ±10% DC 9~36V, ±10% (Optional)
<b>Control</b>	
<b>Button</b>	7 key: Power Decrease Increase Exit/ Auto Menu Day/ Night Lock/ Unlock

**DIMENSIONS** UNIT:MM



**NOTE**

1. This is a simplified drawing and some components are not marked in detail.
2. If you require an external test report, Winmate will charge an NRE fee.
3. Please contact our sales representative if you need further product information.
4. All specifications are subject to change without prior notice.
5. The product shown in this datasheet is a standard model. For diagrams that contain customized or optional I/O, please contact the Winmate Sales Team for more information.

## Assured Systems

Assured Systems is a leading technology company with over 1,500 regular clients in 80 countries, deploying over 85,000 systems to a diverse customer base in 12 years of business. We offer high-quality and innovative rugged computing, display, networking and data collection solutions to the embedded, industrial, and digital-out-of-home market sectors.

### US

[sales@assured-systems.com](mailto:sales@assured-systems.com)

Sales: +1 347 719 4508  
Support: +1 347 719 4508

1309 Coffeen Ave  
Ste 1200  
Sheridan  
WY 82801  
USA

### EMEA

[sales@assured-systems.com](mailto:sales@assured-systems.com)

Sales: +44 (0)1785 879 050  
Support: +44 (0)1785 879 050

Unit A5 Douglas Park  
Stone Business Park  
Stone  
ST15 0YJ  
United Kingdom

VAT Number: 120 9546 28  
Business Registration Number: 07699660