

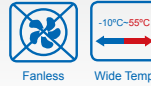
Rugged Display



Model:W12L100-VMM9

Product Features:

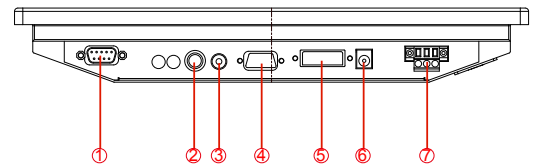
- High Quality 12.1" Wide panel, 1280 x 800 resolution, 400 nits
- 5 Wire resistive touch screen
- -10 ~ +55°C Wide Range Operating Temperature
- Anti-Corrosion housing with Fanless Design
- 9V ~ 36V DC Isolation Wide Range Power Input



Product Specifications:

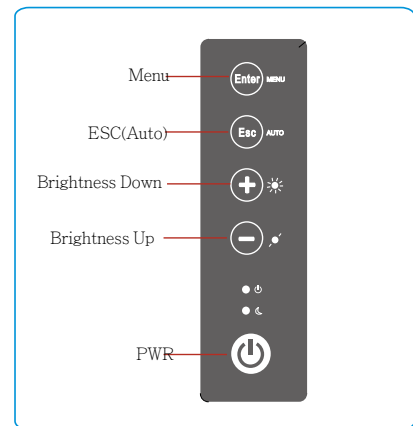
Display	Model Name	W12L100-VMM9
	Size	12.1"
	Resolution (pixels)	1280 x 800
	Number of Colors	262K colors (RGB 6bits)
	Brightness (cd/m ²)	400
	Contrast Ratio	1000:1
	Viewing Angle	-88~88 (H) ; -88~88 (V)
	Active Area	261.12 (H) x 163.2 (V)
Input / Output	Touch (optional)	5 wire resistive
	1 x RS-232 or USB for Touch (Optional)	
	1 x S-Video (Optional)	
	1 x Composite (Optional)	
	1 x VGA	
	1 x DVI-D (Optional)	
Environment	1 x DC Lockable input (Optional)	
	1 x 9~36V DC Terminal Block (Default)	
	Operating Temperature	-10 ~55°C
	Storage Temperature	-30 ~70°C
	Humidity	10 ~ 95% non-condensing
	Shock	MIL-STD-810F/G
Mechanical	Vibration	MIL-STD-810F/G
	EMC	CE, FCC Class B
	Safety	Compliance with MIL-STD-810F/G
	Dimension(W x H x D)	310 x 215 x 48mm
Packing List	R2A AD Board User's Manual Touch's Driver CD	

I / O View:

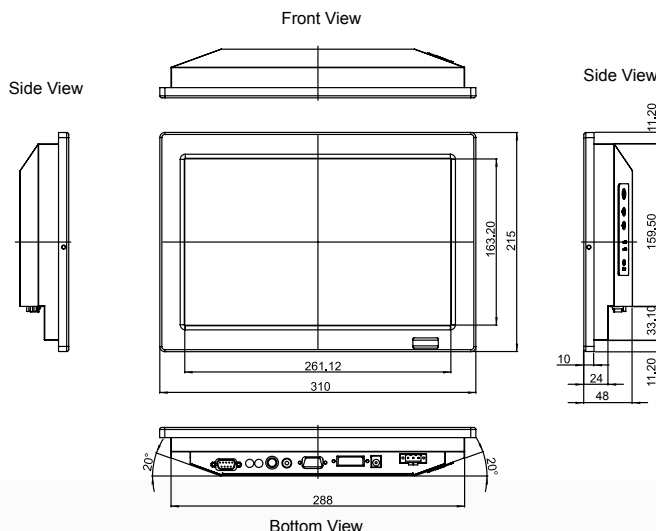


1. RS-232 or USB for Touch(Optional)
2. S-Video(Optional)
3. Composite(Optional)
4. VGA
5. DVI-D(Optional)
6. DC Lockable input(Optional)
7. 9~36V DC Terminal Block(Default)

Rear OSD Control Function:



Drawing w / Mounting bracket:



Assured Systems

Assured Systems is a leading technology company with over 1,500 regular clients in 80 countries, deploying over 85,000 systems to a diverse customer base in 12 years of business. We offer high-quality and innovative rugged computing, display, networking and data collection solutions to the embedded, industrial, and digital-out-of-home market sectors.

US

sales@assured-systems.com

Sales: +1 347 719 4508
Support: +1 347 719 4508

1309 Coffeen Ave
Ste 1200
Sheridan
WY 82801
USA

EMEA

sales@assured-systems.com

Sales: +44 (0)1785 879 050
Support: +44 (0)1785 879 050

Unit A5 Douglas Park
Stone Business Park
Stone
ST15 0YJ
United Kingdom

VAT Number: 120 9546 28
Business Registration Number: 07699660