

# R19L100-MLA3

## 19" G-WIN Defence Display



### KEY FEATURES

- 19" 1280 x 1024 resolution
- Compliant MIL-STD 810G/ MIL-STD 461E
- Fanless, streamlined enclosure for highly efficient heat dissipation
- Convenient on-screen display controls
- Wide operating temperature -40°C~70°C
- Power input 9~36 V DC with isolation
- Supports VESA mount
- Built-in intelligent heater design
- Support PIP Function



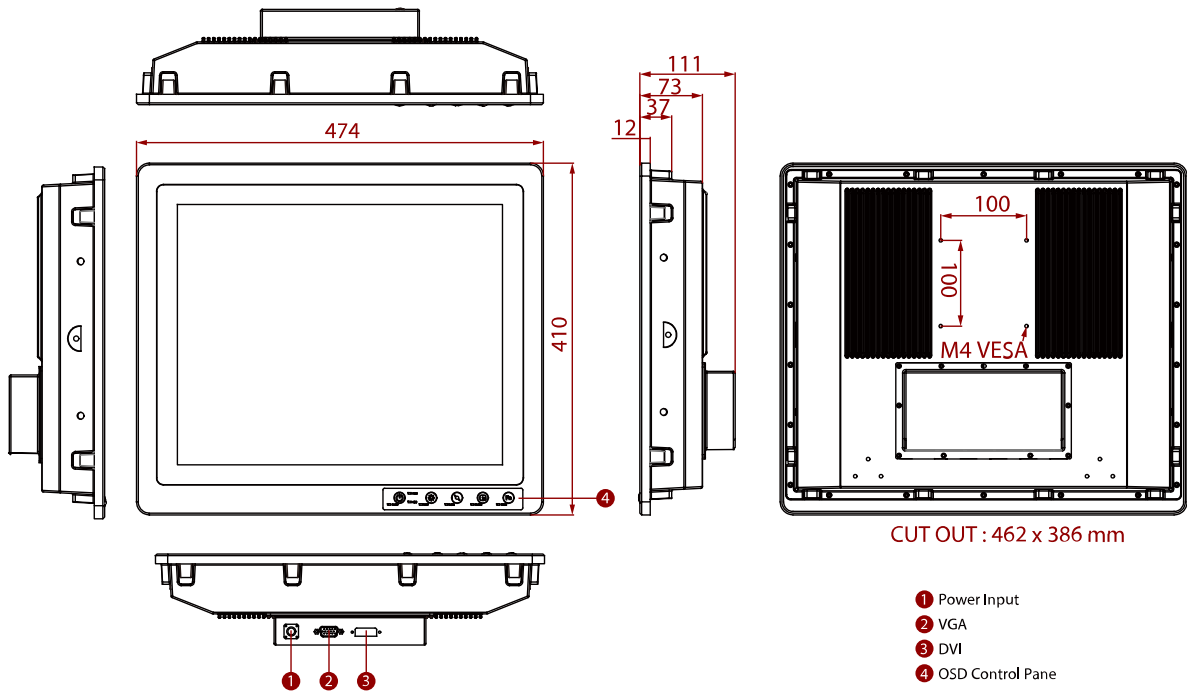
### SPECIFICATIONS

Display			
<b>Resolution</b>	1280x1024	<b>Size</b>	19 inches
<b>Contrast Ratio</b>	1000:1	<b>Panel Brightness</b>	350 nits
<b>Display Color</b>	16.7M Colors	<b>View Angles</b>	85,85,80,80
<b>Active Area</b>	376.32x301.06 mm	<b>Touch / Glass</b>	AR Protection Glass 5 Wires Resistive Touch (Optional) 5 Wire Resistive with EMI Mesh Filter (Optional) EMI Glass (Optional)
Environment			
<b>Operating Humidity</b>	10% to 95% RH	<b>Operating Temperature</b>	-40°C~70°C
<b>Storage Temperature</b>	-40°C~70°C	<b>Shock</b>	Operating:30g for 18ms
<b>Vibration</b>	Operating: 1.60/1.96/2.18 g rms for XYZ / 5-500Hz		
Compliance			
<b>MIL-STD 461E/F</b>	RE101 / RE102 CE101 / CE102 with EMI Glass / Touch(Optional) RS101 / RS 103 CS101 / CS 106 / CS 109 / CS 114 / CS 115 / CS 116	<b>MIL-STD 810F/G</b>	Vibration Method 514.5 Humidity Method 507.4 Transit Drop Method516.5
Certification			
<b>Certification</b>	CE, FCC		
IO Ports			
<b>Serial Port</b>	1 x RS232 Remote Control (Optional)	<b>Video</b>	1 x D-Sub 15 VGA 1 x DVI-D
Mechanical			
<b>Dimension</b>	474 x 410 x 111 mm	<b>Mounting</b>	VESA Mount/ Wall Mount
<b>Enclosure</b>	Metal Housing with Aluminum Bezel	<b>Cooling System</b>	Fanless Design
Accessory			
<b>Accessory</b>	User Manual AC Adapter 12V/ 84W		

Open Wire Cable  
Power Converter Cable, 0.15m  
VGA, 1.8m  
DVI Cable, 1.8m  
COM Cable, 1.8m

<b>Power</b>	
<b>Power Rating</b>	9~36V DC Power input with isolation
<b>Control</b>	
<b>Button</b>	8 key: Power Menu Auto Volume Up/ Swap Volume Down/ PIP Brightness Up Brightness Down LED Adjustment

**DIMENSIONS** UNIT:MM



**NOTE**

1. This is a simplified drawing and some components are not marked in detail.
2. If you require an external test report, Winmate will charge an NRE fee.
3. Please contact our sales representative if you need further product information.
4. All specifications are subject to change without prior notice.
5. The product shown in this datasheet is a standard model. For diagrams that contain customized or optional I/O, please contact the Winmate Sales Team for more information.

## Assured Systems

Assured Systems is a leading technology company with over 1,500 regular clients in 80 countries, deploying over 85,000 systems to a diverse customer base in 12 years of business. We offer high-quality and innovative rugged computing, display, networking and data collection solutions to the embedded, industrial, and digital-out-of-home market sectors.

### US

[sales@assured-systems.com](mailto:sales@assured-systems.com)

Sales: +1 347 719 4508  
Support: +1 347 719 4508

1309 Coffeen Ave  
Ste 1200  
Sheridan  
WY 82801  
USA

### EMEA

[sales@assured-systems.com](mailto:sales@assured-systems.com)

Sales: +44 (0)1785 879 050  
Support: +44 (0)1785 879 050

Unit A5 Douglas Park  
Stone Business Park  
Stone  
ST15 0YJ  
United Kingdom

VAT Number: 120 9546 28  
Business Registration Number: 07699660