



PC1017

10.1" Price checking terminal



Features

- Quad-Core ARM Cortex-A35 CPU 1.5G Hz, Android-based
- Price verification/updates in retail application
- 10.1" LCD display
- 10-point Projected Capacitive Multi-Touch
- H.265/HEVC Video Decode
- PoE connectivity (PD)
- Operating temperature: 0~40°C

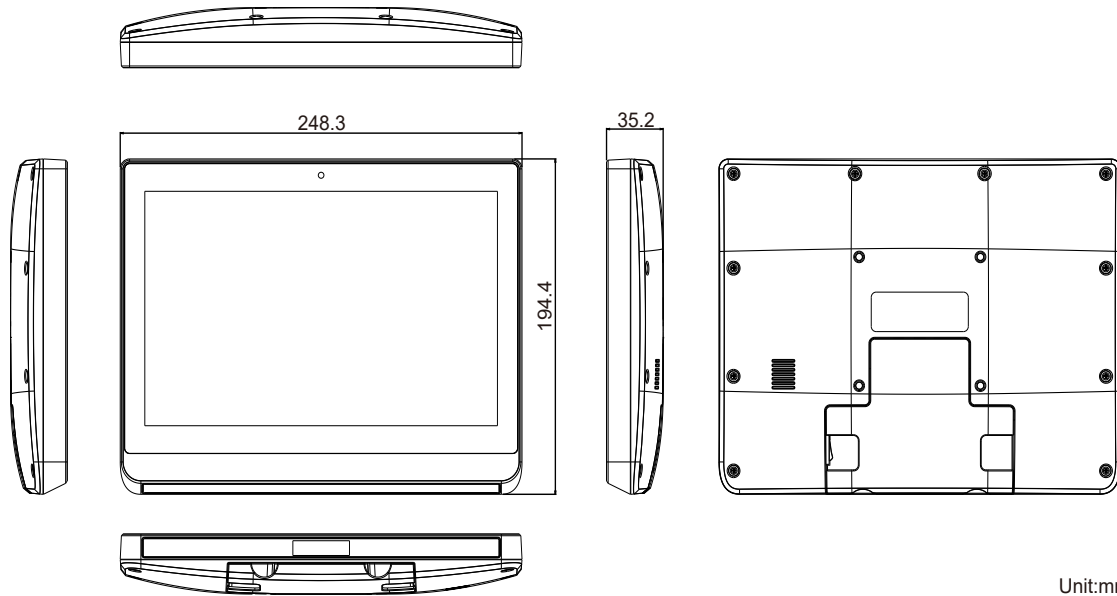
Rugged Mobile Computing

System	
CPU	ARM Quad-Core Cortex-A35 1.5GHz (SoC)
GPU	MaliG31GPU
Memory	2GB DDR4 memory soldered on board (Max. up to 4GB DDR)
Storage	16GB eMMC Flash soldered on board
Peripherals and Devices	
Camera	2MP front-facing camera (optional)
WLAN & Bluetooth	1 x WLAN 802.11 a/b/g/n & Bluetooth 4.0 + BLE
RFID & NFC	1 x 13.56MHz RFID & NFC reader with ISO 14443A/14443B/15693 support (optional)
Barcode Scanner	1D/2D barcode scanner (optional)
I/O Interface	
Audio	1 x 3W stereo speaker
LAN	1 x RJ-45 10/100M with PoE PD support
USB Port	2 x USB 2.0 Type-A Port
Button & Indicator	
Button	1 x Power on/off button
LED	RJ-45 connector LED (Green: DC power, Orange: PoE)
Touch Screen	
Type	10-point Projected Capacitive Multi-Touch
LCD Display	
Size/Type	10.1" TFT, MIPI type
Max. Resolution	1280 x 800 (WXGA)
Luminance	350 cd/m ² (typ.)
Contrast Ratio	800:1 (typ.)
Backlight Type	LED
View Angle (U/D/R/L)	85°/85°/85°/85° (typ.)
Video Streaming	
UDP Streaming	Support multicast UDP stream decode
RTSP Streaming	Support RTSP stream decode
HLS Streaming	Support HLS stream

Power Requirement	
Power Input	PoE input or DC 12V/2.5A
Adapter Input	100 ~ 240 VAC (full range)
Adapter Output	DC 12V, 2.5A
Mechanical & Environmental	
Operating Temp.	0 ~ 40°C (32 ~ 104°F)
Storage Temp.	-20 ~ 60°C (-4 ~ 140°F)
Operating Humidity	10 ~ 80 % @ 45°C (non-condensing)
Dimensions (W x H x D)	248.34 x 194.43 x 35.2 mm (9.77" x 7.65" x 1.38")
Net Weight	662g (1.46lb)
Vibration	1 Grms/ 5 ~ 500Hz/ random operation
Shock	10G/ peak (11ms)
Mounting	VESA-75 compatible
IP Rating	Compliance design with IP54
Operational Altitude	Below 2000m
Regulatory	CE, FCC Part 15 Subpart C
OS Support	
Android™ 8.1	
Ordering Information	
PC1017	10.1" terminal with projected capacitive touchscreen



Dimensions



Optional Accessories

Power Adapter Universal power adapter, 12V/5A



Optional Configuration (CTOS* Kit)
(Not Sold Separately)

RFID & NFC-1017 RFID & NFC module kit



Barcode Scanner 1D/2D barcode scanner

Camera 2MP front-facing camera

**CTOS means Configure-to-Order Service. BTO means Build-to-Order.*

Assured Systems

Assured Systems is a leading technology company with over 1,500 regular clients in 80 countries, deploying over 85,000 systems to a diverse customer base in 12 years of business. We offer high-quality and innovative rugged computing, display, networking and data collection solutions to the embedded, industrial, and digital-out-of-home market sectors.

US

sales@assured-systems.com

Sales: +1 347 719 4508
Support: +1 347 719 4508

1309 Coffeen Ave
Ste 1200
Sheridan
WY 82801
USA

EMEA

sales@assured-systems.com

Sales: +44 (0)1785 879 050
Support: +44 (0)1785 879 050

Unit A5 Douglas Park
Stone Business Park
Stone
ST15 0YJ
United Kingdom

VAT Number: 120 9546 28
Business Registration Number: 07699660