

# 10.1" Rugged Tablet PC

**M101B**

## Product Features:

- 10.1" 1920x1200 IPS LED Panel with P-Cap Touch
- Long battery life with Intel® BayTrail-M processor
- IP65 water and dust proof
- Optional Barcode or RFID Reader
- Dual Camera Design: 5MP Main camera with LED flash / 2MP Webcam
- Optional Expansion port for USB / RS232 connection
- Hot-Swappable Battery Design / Optional high capacity battery pack
- 2 Programmable function keys
- Computrace® theft protection support
- With Optical Bonding for Sunlight Readability

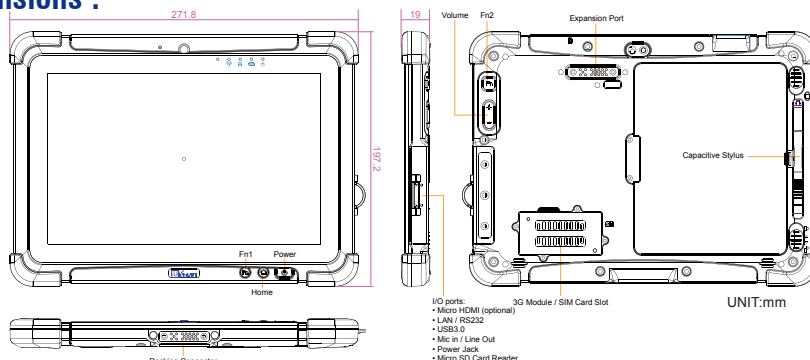


UL LISTED E119998 LTE, CE, FC, EN60601

## Product Specifications:

System Specification	Processor	Intel BayTrail-M Quad-Core 1.8GHz	
	System Memory	4GB SODIMM DDR3L-1600 (up to 8GB)	
Operating System	Storage	64GB mSATA MLC SSD (up to 256GB)	
	Operating System	Windows 10 IoT Enterprise Windows Embedded 8.1 Industry Pro Windows Embedded Standard 7 Windows 7 Pro for Embedded Systems	
	Display Specification	Size / Technology	10.1-inch IPS LED backlight
	Resolution	1920x1200 WUXGA	
Wireless Communication	Brightness	700 nits typ. With Optical Bonding for Sunlight Readability	
	Touch	Multi-Touch Projective Capacitive	
	Contrast Ratio	800:1	
	WLAN	802.11 a/b/g/n	
System I/O	Bluetooth	Bluetooth 4.0 Dual Mode (Classic + Low Energy) Class I	
	GPS	u-Blox Neo-6Q	
	WWAN	Optional 4G (LTE, HSPA+, GSM/GPRS/EDGE, EV-DO Rev A, 1xRTT) or optional 3G (HSPA+, GSM/GPRS/EDGE)	
Buttons Indicators Sensors	Audio	1 x Built-in Mic, 2 x 1W Speaker	
	External I/O	1 x Micro HDMI (optional), 1 x 30-pin Combo Conn (Giga-LAN or RS232), 1 x USB3.0, 1 x Audio Combo Conn. (Mic in / Line Out), 1 x Power Jack, 1 x Micro SD Slot	
	Buttons	1 x Power, 1 x Home, 2 x Programmable Function Key, 2 x Volume Key	
	LED Indicators	Power, Battery, HDD, RF	
Security	Sensors	Light sensor, G sensor, Gyrometer, E-compass	
	Security	Password security for user and hard disk lock Kensington lock slot Trusted platform module (TPM) V1.2 Computrace® theft protection support	
Data Capture	Mobile Device Management	SOTI MobiControl compatible	
	Camera	5MP Auto-Focus Camera with LED Flash at rear / 2MP Camera at front side	
Mechanical and Environment	Barcode	Short range 1D/2D Barcode Reader (optional) (may not be used with HF RFID)	
	RFID	HF RFID Reader (optional) (may not be used with Barcode)	
	Dimension (W x L x H)	271.8 x 197.2 x 19 mm (10.7 x 7.76 x 0.75 inches)	
	Weight	1.2 kg (2.7 lbs) with standard battery, 1.4 kg (3.1 lbs) with optional high capacity battery	
	Operating Temperature	-20°C to 60°C (AC mode), -10°C to 50°C (Battery mode)	
	Storage Temperature	-30°C to 70°C (-22°F to 158°F)	
	Humidity	10 to 90% RH, non-condensing	
	IP Proof	IP65	
	Shock	MIL-STD-810G Method 516.6 Procedure I	
	Vibration	MIL-STD-810G Method 514.6 Procedure I	
Power Management	Drop	MIL-STD-810G Method 516.6, 4 ft to concrete *	
	Certifications	CE, FCC, IC, UL 60950, EN60601**	
	Power Input	12-19V DC	
	Battery	7.4V, typ. 5300 mAh, min. 5140 mAh Li-Polymer Battery (2S1P) 7.4V, typ. 10600 mAh, min. 10280 mAh Li-Polymer Battery (2S2P, optional)	
Adapter	Battery Operating Time	Std. Battery: 8 hours*** High Capacity Battery: 16 hours***	
	Adapter	100-240V, 50-60Hz / 19V DC	

## Dimensions :



- \* Note: The drop test with high-capacity battery must come with hand strap.
- \*\* Note: EN60601 certified with optional power adapter for medical use
- \*\*\* Note: Measured at dimming LCD brightness. Varies depending on the usage conditions, or when an external device is attached.
- \*\*\*\* Note: This is a simplified drawing and some components are not marked in detail.
- \*\*\*\*\* Note: All Specifications are subject to change without prior notice.

Accessories:	
1.	19V 65W Power Adapter x 1
2.	Power Cord x 1
3.	Standard Battery x 1
4.	M101 Quick Start Guide x 1
5.	Manual & Driver CD x 1
6.	Capactive Stylus x 1

Order Information:	
M101B	Basic
M101B-3	3G
M101B-LE	4G/LTE for Europe
M101B-LA	4G/LTE for North America
M101B-AP	With Active Pen



www.winmate.com.tw

Release Date: 26.Jan.2017 V1.4

**Rugged Mobile Solution**

## Assured Systems

Assured Systems is a leading technology company with over 1,500 regular clients in 80 countries, deploying over 85,000 systems to a diverse customer base in 12 years of business. We offer high-quality and innovative rugged computing, display, networking and data collection solutions to the embedded, industrial, and digital-out-of-home market sectors.

### US

[sales@assured-systems.com](mailto:sales@assured-systems.com)

Sales: +1 347 719 4508

Support: +1 347 719 4508

1309 Coffeen Ave  
Ste 1200  
Sheridan  
WY 82801  
USA

### EMEA

[sales@assured-systems.com](mailto:sales@assured-systems.com)

Sales: +44 (0)1785 879 050

Support: +44 (0)1785 879 050

Unit A5 Douglas Park  
Stone Business Park  
Stone  
ST15 0YJ  
United Kingdom

VAT Number: 120 9546 28

Business Registration Number: 07699660