



www.transcend-info.com

**Embedded Solutions**



PCIe M.2 SSDs

**MTE672A**

Transcend's M.2 SSD MTE672A is a self-encrypting drive (SED) that complies with the TCG Opal 2.0 standards. Data is protected using the hardware-based AES 256-bit encryption and LBA (Logical Block Address) sector-specific permissions.

The MTE672A features the 112-layer 3D NAND flash and the PCI Express (PCIe) Gen 3 x4 interface, compatible with NVMe Express (NVMe) 1.3 specifications to achieve never-before-seen transfer speeds. The 30µ" gold finger PCB, Corner Bond technology, and anti-sulfur resistor guarantee its reliability in harsh conditions. The MTE672A is fully tested in-house, operating stably in an extended operating temperature ranging from -20°C~75°C.

**Hardware Features**

- Anti-sulfur technology implemented to prevent sulfurization in the environment
- 30µ" PCB gold finger
- Key components fortified by default with Corner Bond technology
- Promised operational reliability in an extended temperature range (from -20°C to 75°C)

**Ordering Information**

128GB	TS128GMTE672A
256GB	TS256GMTE672A
512GB	TS512GMTE672A
1TB	TS1TMTE672A

**Firmware Features**

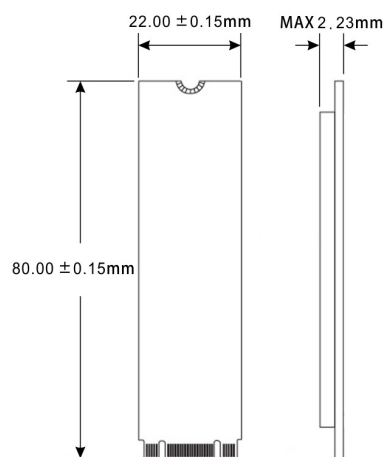
- Supports S.M.A.R.T. function to conduct health monitoring, analysis, and reporting for storage devices
- Dynamic thermal throttling
- Compliant with TCG Opal specifications and IEEE 1667 standards
- Full drive encryption with Advanced Encryption Standard (AES)
- SLC caching technology

\*Supports Microsoft® eDrive standard

## Specifications

<b>Appearance</b>	Dimensions	80 mm x 22 mm x 2.23 mm (3.15" x 0.87" x 0.08")
	Weight	9 g (0.32 oz)
	M.2 Type	2280-S2-M (Single-sided)
	Form Factor	M.2 2280
<b>Interface</b>	Bus Interface	NVMe PCIe Gen3 x4
<b>Storage</b>	Capacity	128 GB / 256 GB / 512 GB / 1 TB
	Flash Type	112-layer 3D NAND flash
<b>Operating Environment</b>	Operating Voltage	3.3V±5%
	Operating Temperature	Extended Temp. -20°C (-4°F) ~ 75°C (167°F)
	Storage Temperature	-55°C (-67°F) ~ 85°C (185°F)
	Humidity	5% ~ 95%
	Shock	1500 G, 0.5 ms, 3 axis
<b>Power</b>	Vibration (Operating)	20 G (peak-to-peak), 7 Hz ~ 2,000 Hz (frequency)
	Power Consumption (Operation)	3.1 watt(s)
	Power Consumption (IDLE)	0.4 watt(s)
	<b>Performance</b>	Sequential Read/Write (CrystalDiskMark)
4K Random Read/Write (IOMeter)		Read: up to 100,000 IOPS Write: up to 260,000 IOPS
Mean Time Between Failures (MTBF)		3,000,000 hour(s)
Terabytes Written (TBW)		up to 960 TBW
Drive Writes Per Day (DWPD)		0.88 (3 yrs)
<b>Warranty</b>	Certificate	CE / FCC / BSMI / UKCA
	Warranty	Three-year Limited Warranty

## Mechanical Dimensions



Product specifications are subject to change without notice. Pictures shown may differ from actual products. Total accessible capacity varies depending on operating environment. Due to the complexity and variety of industrial applications, Transcend cannot guarantee 100% compatibility with all platforms and under all scenarios. For special applications and environments, it is strongly suggested that you contact Transcend beforehand for clarification.

## Assured Systems

Assured Systems is a leading technology company with over 1,500 regular clients in 80 countries, deploying over 85,000 systems to a diverse customer base in 12 years of business. We offer high-quality and innovative rugged computing, display, networking and data collection solutions to the embedded, industrial, and digital-out-of-home market sectors.

### US

[sales@assured-systems.com](mailto:sales@assured-systems.com)

Sales: +1 347 719 4508

Support: +1 347 719 4508

1309 Coffeen Ave  
Ste 1200  
Sheridan  
WY 82801  
USA

### EMEA

[sales@assured-systems.com](mailto:sales@assured-systems.com)

Sales: +44 (0)1785 879 050

Support: +44 (0)1785 879 050

Unit A5 Douglas Park  
Stone Business Park  
Stone  
ST15 0YJ  
United Kingdom

VAT Number: 120 9546 28

Business Registration Number: 07699660