

In-vehicle Computing



# Nuvo-7250VTC Series

Intel® 8th/ 9th Gen Core™ In-vehicle Controller with 4x or 8x PoE+ Ports, Supercapacitor-based Power Backup Module



## Key Features

- Supports Intel® 8th/ 9th-Gen Core™ i7/i5/i3 LGA1151 socket-type CPU
- 4x or 8x 802.3at Gigabit PoE+ ports via M12 or RJ45 connectors
- On-board isolated CAN bus for in-vehicle communication
- 4-CH isolated DI and 4-CH isolated DO
- 2x hot-swappable SATA HDD trays, supporting RAID 0/1
- 2x M.2 B key and 3x full-size mini-PCIe sockets
- 8~35V wide-range DC input with built-in ignition power control
- Patented Supercapacitor-based Uninterruptible Power Backup
- EN 50155 certificate

Contact Neosys

Get Quote

\*R.O.C Patent No. M456527

## Introduction

Nuvo-7250VTC is a rugged in-vehicle controller that utilizes Neosys' innovative supercapacitor-based power backup solution. Powered by Intel® 8th/ 9th Gen Core™ processors with up to 8-core/ 16-thread and 64GB DDR4 memory, it offers over 50% performance increase over previous generations for versatile in-vehicle applications. Nuvo-7250VTC is equipped with supercapacitor technology to provide 2500 watt-second stored energy to sustain the system to safely shutdown during unforeseen power outages. Nuvo-7250VTC offers a variety of peripherals and connections. It has four or eight 802.3at PoE+ ports to supply 25W power to connected devices such as IP cameras with M12 (x-coded connectors) and connector screw-lock mechanisms on I/Os like Gigabit Ethernet; USB3.0 and USB3.1 to guarantee extreme rugged connectivity in shock/vibration environments. Internal expansion wise, it has two M.2 and three mini-PCIe sockets with corresponding wireless modules for 3G/ 4G, WIFI, GPS, and CAN module for wireless communication. Additionally, there is a 4G cellular module option that is certified to work with renowned US telecommunications company which can save you implementation time and cost. To top it off, Nuvo-7250VTC also features isolated CAN bus for in-vehicle communication, isolated DIO for sensor/ actuator control, 8~35V wide-range DC input with ignition power control and is in compliance with EN 50155. Coupled with supercapacitor power backup technology, the Nuvo-7250VTC offers data protection and is the perfect solution for various in-vehicle applications.

## Specifications

System Core		Expansion Bus	
<b>Processor</b>	Supports Intel® 8th-Gen Coffee Lake CPU (LGA1151 socket, 35W TDP) - Intel® Core™ i7-8700T/i7-9700TE - Intel® Core™ i5-8500T/i5-9500TE - Intel® Core™ i3-8100T/i3-9100TE	<b>Mini PCI-E</b>	1x full-size mini PCI Express socket with internal SIM socket (mux with mSATA) 2x full-size mini-PCIe sockets (USB signals only) with internal SIM sockets
<b>Chipset</b>	Intel® Q370 platform controller hub	<b>M.2</b>	2x M.2 2242 B key socket, one with dual front-accessible SIM sockets, supporting dual SIM mode with selected M.2 LTE module
<b>Graphics</b>	Integrated Intel® HD Graphics 630	<b>Power Supply</b>	
<b>Memory</b>	Up to 64 GB DDR4 2666/ 2400 SDRAM (two SODIMM slots)	<b>DC Input</b>	1x 3-pin pluggable terminal block for 8~35V DC input (IGN/ GND/ V+)
<b>AMT</b>	Supports AMT 12.0	<b>Remote Ctrl. &amp; Status Output</b>	1x 3-pin pluggable terminal block for remote control and PWR LED output
<b>TPM</b>	Supports TPM 2.0	<b>Power Backup</b>	
<b>I/O Interface</b>		<b>Capacity</b>	2500 watt-second
<b>Ethernet</b>	2x Gigabit Ethernet ports by Intel® I219 and I210	<b>Mechanical</b>	
<b>PoE+</b>	4x IEEE 802.3at (25.5W) Gigabit PoE+ ports by Intel® I210, - M12 x-coded connector (Nuvo-7100VTC); - RJ45 connector (Nuvo-7104VTC) 8x IEEE 802.3at (25.5W) Gigabit PoE+ ports by Intel® I210 - RJ45 connector (Nuvo-7108VTC)	<b>Dimension</b>	240 mm (W) x 225 mm (D) x 103mm (H)
<b>CAN</b>	1x isolated CAN 2.0 port	<b>Weight</b>	TBD
<b>Isolated DIO</b>	4x isolated DI and 4x isolated DO	<b>Mounting</b>	Neosys' patented damping bracket (standard) or optional DIN-rail mounting
<b>USB</b>	4x USB 3.1 Gen2 (10 Gbps) ports 4x USB 3.1 Gen1 (5 Gbps) ports	<b>Environmental</b>	
<b>Video Port</b>	1x VGA connector, supporting 1920 x 1200 resolution 1x DVI-D connector, supporting 1920 x 1200 resolution 1x DisplayPort connector, supporting 4096 x 2304 resolution	<b>Operating Temperature</b>	-40°C ~ 70°C **
<b>Serial Port</b>	2x software-programmable RS-232/422/485 ports (COM1/ COM2) 2x RS-232 ports (COM3/ COM4)	<b>Storage Temperature</b>	-40°C ~ 85°C
<b>Audio</b>	1x Mic-in and 1x speaker-out	<b>Humidity</b>	10%~90% , non-condensing
<b>Storage Interface</b>		<b>Vibration</b>	Operating, MIL-STD-810G, Method 514.6, Category 4
<b>SATA HDD</b>	2x hot-swappable HDD tray for 2.5" HDD/ SSD installation	<b>Shock</b>	Operating, MIL-STD-810G, Method 516.6, Procedure I, Table 516.6-II
<b>mSATA</b>	1x full-size mSATA port (mux with mini-PCIe)	<b>EMC</b>	EN 50155, CE/FCC Class A, according to EN 55022 & EN 55024
<b>M.2</b>	1x M.2 2280 M key socket (PCIe Gen3 x4) for NVMe SSD or Intel® Optane™ memory installation		

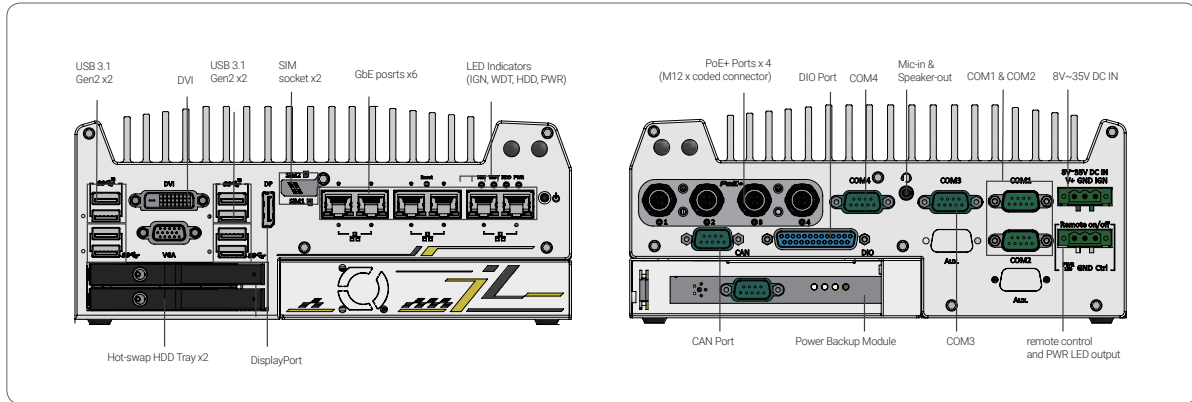
\* For i7-8700 running at 65W mode, the highest operating temperature shall be limited to 50°C and thermal throttling may occur when sustained full-loading applied. Users can configure CPU power in BIOS to obtain higher operating temperature.

\*\* For sub-zero operating temperature, a wide temperature HDD or Solid State Disk (SSD) is required.

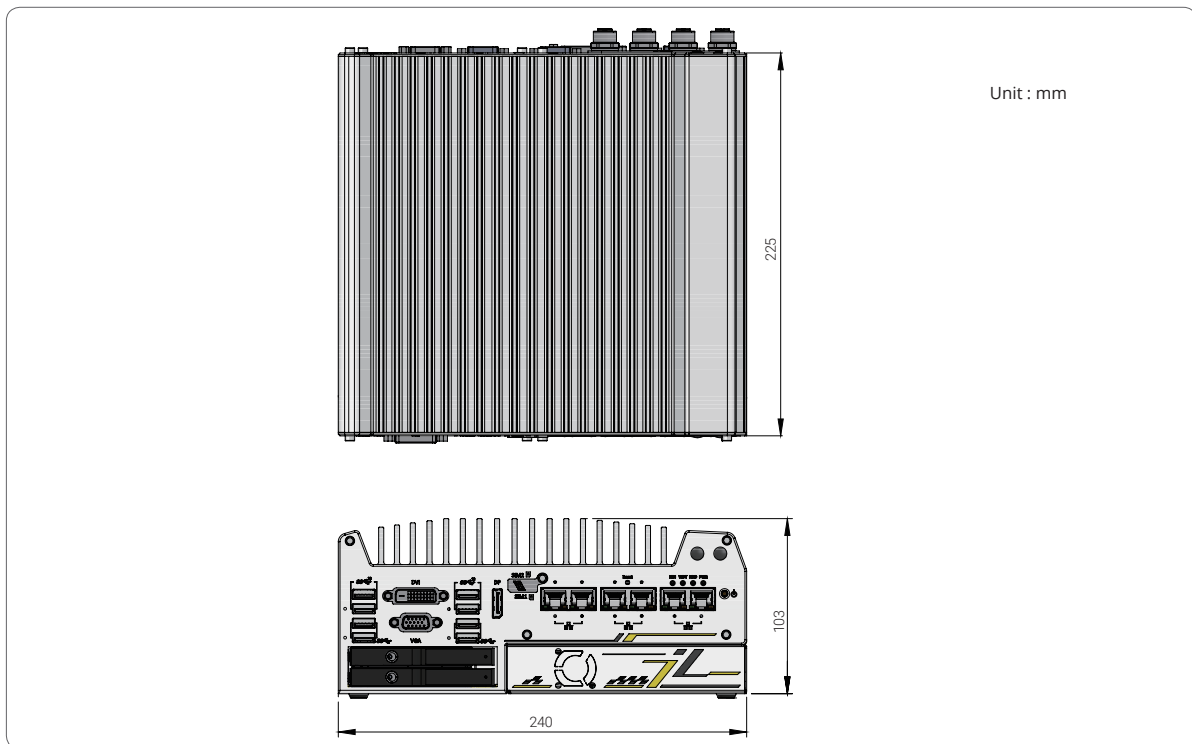
Nuvo-7200VTC Series



## Appearance



## Dimensions



## Ordering Information

Model No.	Product Description
Nuvo-7250VTC	Intel® 8th-Gen Core™ in-vehicle controller with 4x M12 PoE+ ports, ultracapacitor-based power backup module
Nuvo-7254VTC	Intel® 8th-Gen Core™ in-vehicle controller with 4x RJ45 PoE+ ports, ultracapacitor-based power backup module
Nuvo-7258VTC	Intel® 8th-Gen Core™ in-vehicle controller with 8x RJ45 PoE+ ports, ultracapacitor-based power backup module

## Optional Accessories

Cbl-M12X8M-RJ45-500CM	M12 (8-pole-X-coded) to RJ45, CAT6, length : 500CM
Cbl-M12X8M-RJ45-1000CM	M12 (8-pole-X-coded) to RJ45, CAT6, length : 1000CM
PA-120W-OW	120W AC/DC power adapter 20V/6A; 18AWG/120cm; cord end terminals for terminal block, operating temperature : -30 to 70 °C.

## Optional Cellular Module

NSIO-LTE-7455	Cat. 6 LTE embedded socket modem
---------------	----------------------------------

## Assured Systems

Assured Systems is a leading technology company with over 1,500 regular clients in 80 countries, deploying over 85,000 systems to a diverse customer base in 12 years of business. We offer high-quality and innovative rugged computing, display, networking and data collection solutions to the embedded, industrial, and digital-out-of-home market sectors.

### US

[sales@assured-systems.com](mailto:sales@assured-systems.com)

Sales: +1 347 719 4508  
Support: +1 347 719 4508

1309 Coffeen Ave  
Ste 1200  
Sheridan  
WY 82801  
USA

### EMEA

[sales@assured-systems.com](mailto:sales@assured-systems.com)

Sales: +44 (0)1785 879 050  
Support: +44 (0)1785 879 050

Unit A5 Douglas Park  
Stone Business Park  
Stone  
ST15 0YJ  
United Kingdom

VAT Number: 120 9546 28  
Business Registration Number: 07699660