



Industrial Solutions Partner!

DLD1566-I V1
15.6" TFT LCD, LED Backlight 1200nits, FHD(1920x1080)

The **DLD1566-I** is a 15.6 inch industrial grade sunlight readable LCD, with high brightness 1200 nits and high color saturation, it produce sharp images, crisp text and lifelike colors. The Durapixel LED backlight technology ensures high reliability and low power consumption, suitable for outdoor application, kiosk, factory automation, military, transportation and gaming application.

Key Features

- High Brightness 1200 nits
- Sunlight Readable
- LED Backlight
- Low Power Consumption
- Wide range temperature
- BL MTBF: 100,000 hours



Specifications

Model Name	DLD1566-I V1
Description	15.6" TFT LCD, LED Backlight 1200 nits, FHD (1920x1080)
Screen Size	15.6"
Display Area (mm)	344.16(H) x 193.59(V)
Brightness	1200 cd/m ²
Resolution	1920x1080
Aspect Ratio	16 : 9
Contrast Ratio	1000 : 1
Pixel Pitch (mm)	0.17925(H) x 0.17925(V)
Pixel Pre Inch (PPI)	141
Viewing Angle	170°(H),170°(V)
Color Saturation (NTSC)	81%
Display Colors	16.2M
Response Time (Typical)	25ms
Panel Interface	LVDS
AD Board Input Interface	VGA,DVI, DP
Input Power	DC12V
Power Consumption	23.28W
OSD Key	4 Keys (Power Switch, Menu, +, -)
OSD Control	Brightness, Color, Contrast, Auto Turing, H/V Position...etc
Dimensions (mm)	369 x 221.1 x 40.2
Bezel Size(U/B/L/R)	13.03/13.03/11.68/11.68 mm
Mounting	75x75
Weight (Net)	2.8kg
Operating Temperature	-30 °C ~ 70 °C
Storage Temperature	-40 °C ~ 70 °C

DLD= Panel + LED Driving Board + AD Control Board + Chassis

Specifications are subject to change without notice.
All brands or product names are trademarks or registered trademarks of their respective companies.

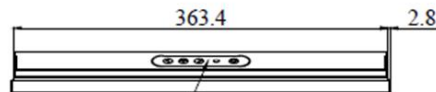
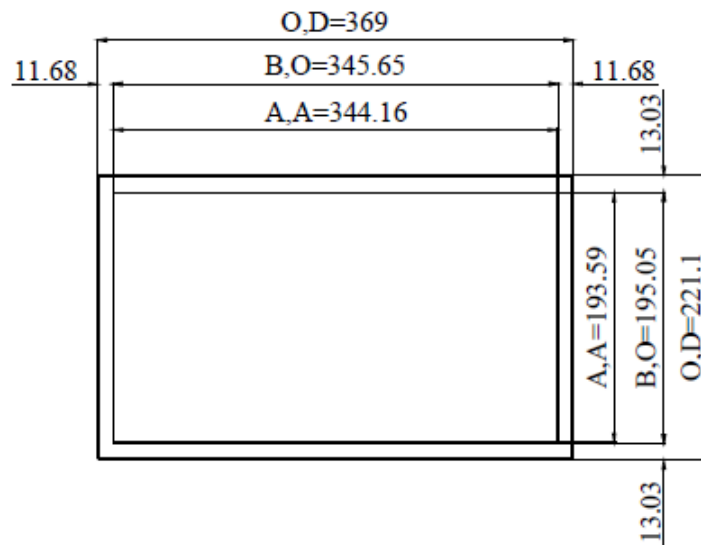
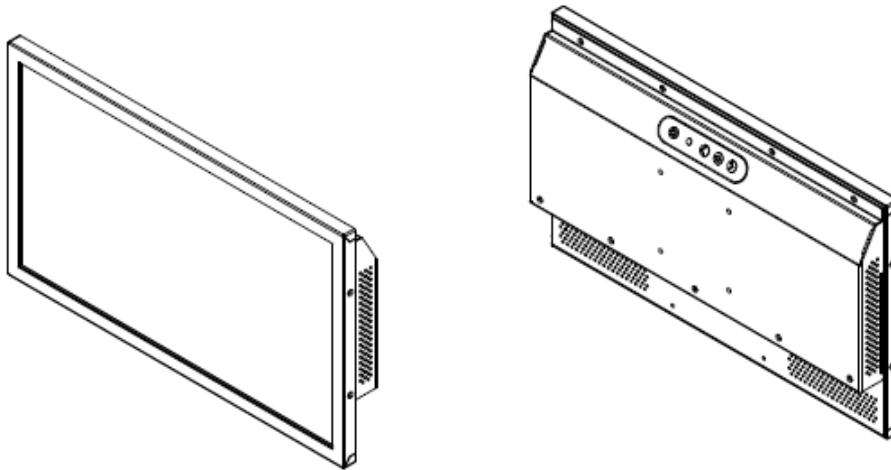


Industrial Solutions Partner!

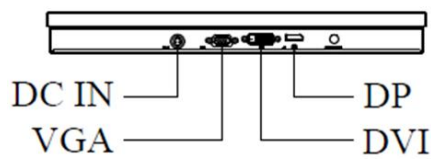
Mechanical Drawing

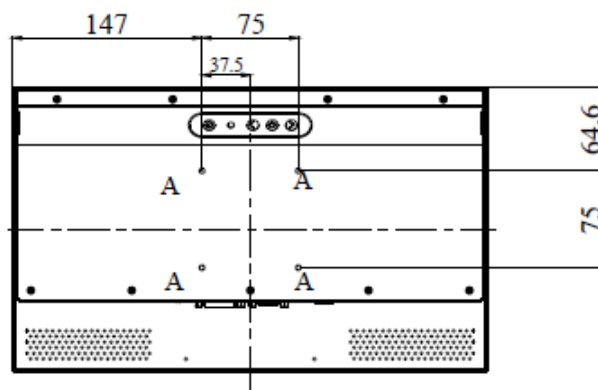
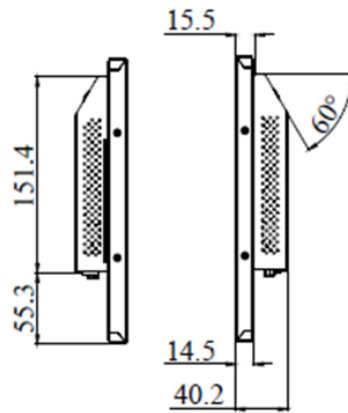
Outline Dimensions

Unit:mm



MEMBRANE 4-KEYS





NOTE :
 O.D. : OUTLINE DIMENSION
 B.O. : BEZEL OPENING
 A.A. : LCD ACTIVE AREA
 A : 4-M4_USER HOLE_MAX Depth=4mm



Industrial Solutions Partner!

Ordering Information

Part Number	Description
DLD1566-INB-I01	15.6",1200nits,1920x1080,LI15B,AD6038GDP,O/B,DC12V,3in1,V1

Optional Accessories

Part Number	Description
810618301010	CABLE.POWER.AC.1830mm USA type
810618301090	CABLE,POWER,AC,1830mm Europe type
810618301050	CABLE.POWER.AC.1830mm UK type
810618301170	CABLE.POWER,AC,1830mm Australia type
810618301031	CABLE.POWER.AC.1830mm Japan type

Customer request

Touch	PCT (Multi-Touch)
Glass	Tempered glass, AR coating.....

Assured Systems

Assured Systems is a leading technology company with over 1,500 regular clients in 80 countries, deploying over 85,000 systems to a diverse customer base in 12 years of business. We offer high-quality and innovative rugged computing, display, networking and data collection solutions to the embedded, industrial, and digital-out-of-home market sectors.

US

sales@assured-systems.com

Sales: +1 347 719 4508
Support: +1 347 719 4508

1309 Coffeen Ave
Ste 1200
Sheridan
WY 82801
USA

EMEA

sales@assured-systems.com

Sales: +44 (0)1785 879 050
Support: +44 (0)1785 879 050

Unit A5 Douglas Park
Stone Business Park
Stone
ST15 0YJ
United Kingdom

VAT Number: 120 9546 28
Business Registration Number: 07699660