

# P400M9

## 4" ARM A73 + A53 Rugged Handheld Computer



### KEY FEATURES

- Compatible PoC application
- Cortex-A73 + Cortex-A53 (Octa-core up to 2.0 GHz)
- 4" 800 x 480 Panel with direct optical bonding
- Supports Android 11 Rugged Handheld Computer

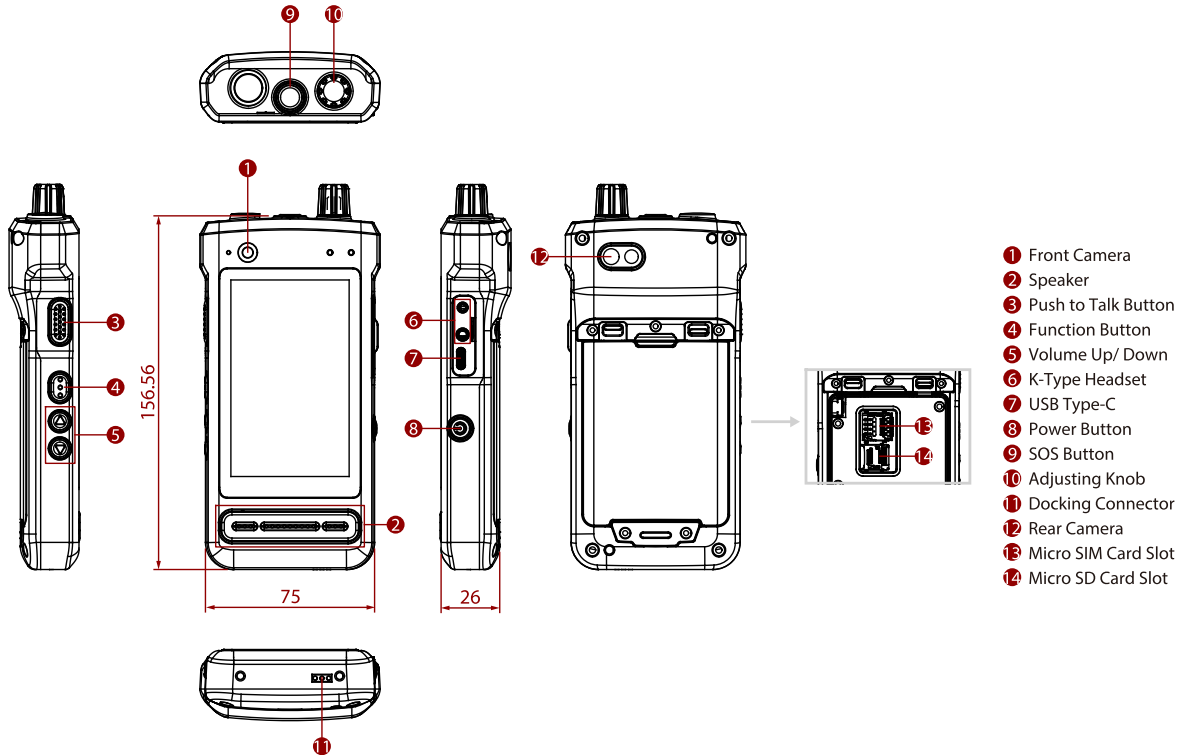


### SPECIFICATIONS

Display			
<b>Bonding</b>	Optical Bonding for Sunlight Viewability	<b>Resolution</b>	480x800
<b>Size</b>	4.0 inches	<b>Contrast Ratio</b>	800:1
<b>Panel Brightness</b>	400.0 nits	<b>View Angles</b>	80,80,80,80
<b>Type</b>	Projected Capacitive Multi Touch		
System Specification			
<b>Processor</b>	ARM A73 x 4 (2.0 GHz) + A53 x 4 (2.0 GHz)	<b>Memory</b>	4GB
<b>Storage</b>	64GB	<b>Operating System</b>	Android 11.0
<b>WLAN</b>	Support	<b>BT</b>	Support
<b>WWAN</b>	4G/LTE (Optional)	<b>GNSS</b>	GPS/AGPS
<b>RFID</b>	NFC (Read / Write, Peer to Peer mode) (Optional)	<b>Sensors</b>	Ambient Light Sensor, E-Compass, Gyro, Acceleration Sensors
Camera			
<b>Front Camera</b>	8MP Camera	<b>Rear Camera</b>	13MP Camera with LED Auxiliary Light (Auto Focus)
Mechanical			
<b>Dimension</b>	156.56 x 75 x 26 mm	<b>Weight</b>	310g
IO Ports			
<b>USB Port</b>	1 x USB Type C OTG (support PD 2.0 charging)	<b>SD Card Slot</b>	1 x Micro SD Card Slot
<b>SIM Card Slot</b>	1 x Micro SIM Card Slot	<b>Audio</b>	1 x Kenwood Audio Combo connector (Mic in or Line Out) 1 x Built-in Mic 1 x Speaker
<b>Indicator</b>	1 x LED Indicators (Power, Battery)	<b>Docking Connector</b>	1 x Docking Connector
Environment			
<b>Operating Humidity</b>	5% to 95% RH, Non-Condensing	<b>Operating Temperature</b>	-10°C to 50°C (Battery mode)
<b>Storage Temperature</b>	-30°C to 70°C	<b>Shock</b>	MIL-STD-810G Method 516.6 Procedure I
<b>Vibration</b>	MIL-STD-810G Method 514.6 Procedure I	<b>IP rating</b>	IP65
<b>Drop</b>	MIL-STD-810G Method 516.6, 4 ft		

Certification			
Certification	CE, FCC		
Control			
Button	1 x Power Button, 3 x Function Button, 1 x PTT Button, 1 x SOS Button		
Power			
Battery	7.6V 2700mAh	Battery Operating Time	8Hr
Power Rating	15V	Adapter	15V PD Adapter with USB TypeC
Security Function			
SOTI MobiControl	SOTI MobiControl Compliance		
Accessory			
Accessory	Universal Adapter Battery	Optional Accessory	USB Type-C Cable Micro SD Card Battery Charging Dock 2 bay Battery Charging Dock 6 bay

**DIMENSIONS** UNIT:MM



**NOTE**

1. This is a simplified drawing and some components are not marked in detail.
2. Please contact our sales representative if you need further product information.
3. All specifications are subject to change without prior notice.
4. The product shown in this datasheet is a standard model. For diagrams that contain customized or optional I/O, please contact the Winmate Sales Team for more information.

## Assured Systems

Assured Systems is a leading technology company with over 1,500 regular clients in 80 countries, deploying over 85,000 systems to a diverse customer base in 12 years of business. We offer high-quality and innovative rugged computing, display, networking and data collection solutions to the embedded, industrial, and digital-out-of-home market sectors.

### US

[sales@assured-systems.com](mailto:sales@assured-systems.com)

Sales: +1 347 719 4508  
Support: +1 347 719 4508

1309 Coffeen Ave  
Ste 1200  
Sheridan  
WY 82801  
USA

### EMEA

[sales@assured-systems.com](mailto:sales@assured-systems.com)

Sales: +44 (0)1785 879 050  
Support: +44 (0)1785 879 050

Unit A5 Douglas Park  
Stone Business Park  
Stone  
ST15 0YJ  
United Kingdom

VAT Number: 120 9546 28  
Business Registration Number: 07699660