

ViTAM-612P/R/G(H)

12.1" IP66 / IP69K Stainless Steel Panel PC

Industrial Panel PC

HMI Controller

Industrial Display Monitor

Box PC



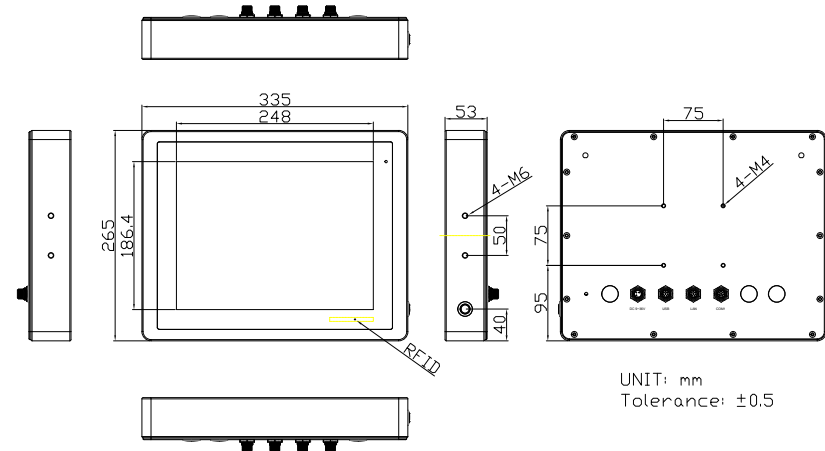
Features

- 12.1" New Generation Stainless Steel Panel PC
- Freescale i.MX6 DualLite 1.0GHz Onboard Processor
- True Flat Front Bezel Design and Grade 304 Stainless Steel Enclosure (Grade 316 for Option)
- IP66/IP69K Rated with M12 Connectors
- Support Resistive Touch, Projected Capacitive Touch, and Glass
- Touch on/off Button on the Side Edge for Hygienic Cleaning
- Support Ergonomic Versatile Mounting: Yoke Mounting / Space-saving VESA 75 x 75 mm Mounting

Specifications

System			
CPU	Freescale i.MX6 Dual Lite, ARM Cortex A9(2x Cores, 1.0GHz)		
System Chipset	SoC		
Memory	Onboard 1GB DDR3 SDRAM		
IO Port			
USB	1 x M12 8-pin for 2 x USB 2.0 with waterproof cover and chain		
Serial / Parallel	1 x M12 8-pin COM1, RS-232/422/485, default RS-232, with waterproof cover and chain		
LAN	1 x M12 8-pin for LAN with waterproof cover and chain (PoE for option)		
Others	1 x Touch on/off button on the side		
Power Connector	1 x M12 3-pin for DC power with waterproof cover and chain 1 x Power switch on the rear		
Option	2 x M12 blank for option 1 x CAN 1 x PoE		
Storage Space			
eMMC	Onboard 4GB eMMC NAND Flash		
Expansion			
Expansion slot	1 x Full-size mini-PCIe socket (PCIe + USB) for WIFI/BT/LTE(optional)		
RFID module	RFID module design on the front side(optional)		
Display			
Display Type	Standard	High Brightness Optional	
	12.1" TFT-LCD	12.1" TFT-LCD	
	default optional	default optional	default optional
Max. Resolution	800 x 600 1024 x 768	800 x 600 1024 x 768	800 x 600 1024 x 768
Max. Color	16.7M 16.2M	16.7M 16.2M	16.7M 16.2M
Luminance (cd/m ²)	450 500	1000 1000	1000 1000
View Angle	176(H)/176(V) 178(H)/178(V)	176(H)/176(V) 178(H)/178(V)	176(H)/176(V) 178(H)/178(V)
Contrast	1000:1 1000:1	1000:1 1000:1	1000:1 1000:1
Backlight Lifetime	50,000 hrs 30,000 hrs	50,000 hrs 70,000 hrs	50,000 hrs 70,000 hrs
Touch Screen			
Type	Resistive Touch (For R model) Projected Capacitive Touch (For P model) Glass (For G model)		
Interface	SPI(Resistive Touch) / USB(Projected Capacitive Touch)		
Light Transmission(%)	Resistive Touch : 80% / Projected Capacitive : 90%		
Power			
Power Input	DC 9~36V		
Power Consumption	ViTAM-612P:12W		

Dimensions



UNIT: mm
Tolerance: ±0.5

Mechanical	
Construction	304 Stainless steel chassis(default), 316 Stainless steel chassis(optional)
Mounting	VESA mount 75 x 75, Yoke mount (optional)
IP Rating	Total IP66/IP69K
Dimensions	335 x 265 x 53 mm
Net Weight	4.7 kg
Environmental	
Operating Temperature	0~50°C / -20~60°C (option)
Storage Temperature	-30~70°C
Humidity	10 to 95% @ 40°C, non- condensing
Certificate	CE/FCC Class A
Operating System Support	
Android 6.0.1 / Linux kernel 4.9.88:Yocto + Chromium Browser V67	
Ordering Information	
ViTAM-612P	12.1" SVGA IP66/IP69K stainless steel panel pc, Freescale i.MX6 Dual Lite ARM Cortex A9, 1GB DDR3 RAM, 4GB eMMC, projected capacitive touch, 9~36V DC power input with Adapter
ViTAM-612R	12.1" SVGA IP66/IP69K stainless steel panel pc, Freescale i.MX6 Dual Lite ARM Cortex A9, 1GB DDR3 RAM, 4GB eMMC, 5 wire resistive touch window, 9~36V DC power input with Adapter
ViTAM-612G	12.1" SVGA IP66/IP69K stainless steel panel panel pc, Freescale i.MX6 Dual Lite ARM Cortex A9, 1GB DDR3 RAM, 4GB eMMC, protection glass, 9~36V DC power input with Adapter
ViTAM-612PH	12.1" SVGA IP66/IP69K stainless steel panel pc, Freescale i.MX6 Dual Lite ARM Cortex A9, 1GB DDR3 RAM, 4GB eMMC, projected capacitive touch, 9~36V DC power input with Adapter, 1,000 nits LCD
ViTAM-612RH	12.1" SVGA IP66/IP69K stainless steel panel pc, Freescale i.MX6 Dual Lite ARM Cortex A9, 1GB DDR3 RAM, 4GB eMMC, 5 wire resistive touch window, 9~36V DC power input with Adapter, 1,000 nits LCD
ViTAM-612GH	12.1" SVGA IP66/IP69K stainless steel panel panel pc, Freescale i.MX6 Dual Lite ARM Cortex A9, 1GB DDR3 RAM, 4GB eMMC, protection glass, 9~36V DC power input with Adapter, 1,000 nits LCD

V 1.9

Assured Systems

Assured Systems is a leading technology company with over 1,500 regular clients in 80 countries, deploying over 85,000 systems to a diverse customer base in 12 years of business. We offer high-quality and innovative rugged computing, display, networking and data collection solutions to the embedded, industrial, and digital-out-of-home market sectors.

US

sales@assured-systems.com

Sales: +1 347 719 4508
Support: +1 347 719 4508

1309 Coffeen Ave
Ste 1200
Sheridan
WY 82801
USA

EMEA

sales@assured-systems.com

Sales: +44 (0)1785 879 050
Support: +44 (0)1785 879 050

Unit A5 Douglas Park
Stone Business Park
Stone
ST15 0YJ
United Kingdom

VAT Number: 120 9546 28
Business Registration Number: 07699660