



UP TO 1MHz, MULTIFUNCTION, 16-BIT ANALOG I/O ETHERNET MODULE DATASHEET

FEATURES AND OPTIONS

ENET-AIO16-16F FAMILY

FEATURES

- Ethernet 10/100/1000 Multifunction DAQ
- Sustained sampling speeds up to 1MHz
- 16-bit or 12-bit resolution A/D converter
- Flexible, software configured functionality
- 16 single-ended or 8 differential analog inputs
- 8 input ranges, 4 unipolar and 4 bipolar, channel-by-channel programmable
- Autocalibration and filtering onboard for accurate data
- Four 16-bit analog outputs with 4 factory ranges
- 16 high-current digital I/O lines
- TCP packet interface with Windows DLL API wrapper
- Small, (4"x4"x1.7") rugged, steel industrial enclosure
- Designed, made, supported, and manufactured in the USA

FACTORY OPTIONS:

- Industrial operating temperature (-40°C to +80°C)
- PoE (Power Over Ethernet) version for ultimate convenience
- OEM version (board only), features PC/104 size and mounting compatibility
- DIN rail mounting provision
- RoHS available, please contact us for ordering information

FUNCTIONAL DESCRIPTION

The eNET-AIO16-16F is an ideal solution for adding portable, easy-to-install high-speed analog and digital I/O capabilities to any computer or Ethernet network. The board is plug-and-play auto-detecting.

The eNET-AIO16-16F is a 16-bit resolution A/D board capable of sampling speeds up to 1MHz for its 16 single-ended or 8 differential analog inputs. Each channel can be independently software configured to accept 8 different input ranges. A unique, real-time internal calibration system allows the card to continually compensate for offset/gain errors giving a more accurate reading. Additional features include 16 digital I/O lines and 4 (optional) analog outputs.

This small, compact, multifunction I/O board provides the user with everything needed to start acquiring, measuring, analyzing, and monitoring in a variety of applications. The eNET-AIO16-16F data acquisition board can be used in many current real-world applications such as embedded equipment monitoring, precision PC-based and portable environmental measurements, and mobile data acquisition. The board is designed to be used in rugged industrial environments but is small enough to fit nicely onto any desk or testing station. The board is PC/104 sized (3.550 by 3.775 inches) and ships inside a steel powder-coated enclosure with an anti-skid bottom.

OEM ETH/104 FORM FACTOR

The OEM (board only) version is perfect for a variety of embedded applications. What makes the OEM option unique is that its PCB size and mounting holes match the PC/104 form factor (without the bus connections). The board can be added to any PC/104 type stack by connecting it to an available 10/100/1000 base T port typically available on embedded CPU form factors such as EPIC, and PC/104. It can also be installed using standoffs inside other enclosures or systems.

SOFTWARE

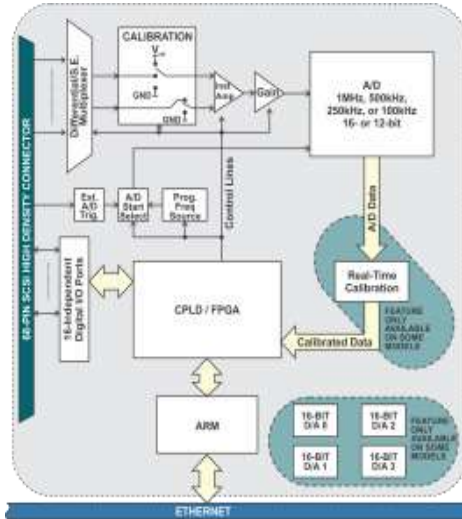
Because of Ethernet's ubiquitous nature these boards are supported for use in all operating systems -- including Windows, Linux, Unix, iOS, Android, -- even Raspberry Pi, etc. The software package includes free Linux and Windows software with sample programs and source code in C# and Delphi for Windows. Also provided is a graphical setup program in Windows and extensive Ethernet-packet level API documentation. Third party application support includes a Windows standard DLL API usable from most popular application programs. Embedded OS support includes Windows Embedded Standard, and all applications, operating systems, and PLCs and all other devices capable of TCP/IP communication.

SPECIAL ORDER

Please contact ACCES with your precise requirement. Examples of special orders are conformal coating, custom software or product labeling, and more. We will work with you to provide exactly what is required.

OPTIONAL ACCESSORIES

The eNET-AIO16-16F Family of products is available with optional cable assemblies, screw terminal boards, and a DIN rail mounting provision.



SPECIFICATIONS

PC Interface

RJ45 Ethernet	10/100/1000 Base-T
---------------	--------------------

Analog Inputs

ADC Type	Successive approximation
Resolution	16-bit differential bipolar ADC
Sampling rate	1 Msps aggregate
Number of channels	16 Single-Ended or 8 Differential inputs software control)
Ranges	0-1V, 0-2V, 0-5V, 0-10V, ±1V, ±2V, ±5V, ±10V (software selectable)
Int Nonlinearity Error	0.0011% FS
No Missing Codes	16 bits
Input Impedance	1MΩ
A/D Start Sources	Software Start, Timer Start, External Start, Externally Triggered Timer Start
A/D Start Types	Single Channel or Scan
Overvoltage Protection	-40 to +40V
Crosstalk	-53dB @ 1MHz -84dB @ 500kHz

Analog Outputs

Number	4
Type:	Single-ended
Resolution:	16-bit
Bipolar Ranges:	±5V, ±10V (factory configured)
Unipolar Ranges:	0-5V, 0-10V (factory configured)
Settling Time	20us typical, +/-10V (+/-1LSB at 16 bits)
Output Current	max ±10mA per channel

Environmental

Temperature	Operating	0°C to +70°C -40°C to +85°C (-T option)
	Storage	-40°C to +105°C
Humidity		5% to 95% RH, non-condensing
Dimensions		PC/104 format, 3.550" by 3.775" w/mounting holes

Digital Input / Output Interface

Digital Bits	16, individually direction controllable	
Digital Inputs	Logic High	0.7V x V_DIO to 5.5V
	Logic Low	-0.5V to 0.3V x V_DIO
Digital Outputs	Logic High	2.0V (min) 24mA source
	Logic Low	0.5V (max) 24mA sink

Power

Power required, PoE	
Power required, External	12VDC to 30VDC @ TBD

I/O Interface Connectors

On card	68pin SCSI female .050 Series, Amplimite, PN 1761028-4
---------	--

Model Options

-PE	PoE (Power Over Ethernet) support
-T	Extended Temperature Operation (-40° to +85°C)
-I	4-20mA inputs
-Sxx	Special configurations (10-50mA inputs, input voltage dividers, conformal coating, etc.)

Ordering Guide

eNET-AIO16-16F	A/D 16-bit, 16-ch, 1MHz, 4 D/A
eNET-AIO16-16A	A/D 16-bit, 16-ch, 500KHZ, 4 D/A
eNET-AIO16-16E	A/D 16-bit, 16-ch, 250KHZ, 4 D/A
eNET-AI16-16F	A/D 16-bit, 16-ch, 2MHz
eNET-AI16-16A	A/D 16-bit, 16-ch, 500KHZ
eNET-AI16-16E	A/D 16-bit, 16-ch, 250KHZ
eNET-AIO12-16A	A/D 12-bit, 16-ch, 500KHZ, 4 D/A
eNET-AIO12-16	A/D 12-bit, 16-ch, 250KHZ, 4 D/A
eNET-AIO12-16E	A/D 12-bit, 16-ch, 100KHZ, 4 D/A
eNET-AI12-16A	A/D 12-bit, 16-ch, 500KHZ
eNET-AI12-16	A/D 12-bit, 16-ch, 250KHZ
eNET-AI12-16E	A/D 12-bit, 16-ch, 100KHZ

Assured Systems

Assured Systems is a leading technology company with over 1,500 regular clients in 80 countries, deploying over 85,000 systems to a diverse customer base in 12 years of business. We offer high-quality and innovative rugged computing, display, networking and data collection solutions to the embedded, industrial, and digital-out-of-home market sectors.

US

sales@assured-systems.com

Sales: +1 347 719 4508
Support: +1 347 719 4508

1309 Coffeen Ave
Ste 1200
Sheridan
WY 82801
USA

EMEA

sales@assured-systems.com

Sales: +44 (0)1785 879 050
Support: +44 (0)1785 879 050

Unit A5 Douglas Park
Stone Business Park
Stone
ST15 0YJ
United Kingdom

VAT Number: 120 9546 28
Business Registration Number: 07699660