

PPC-Z153PW

Arestech

15.6" Fanless Multi-touch IP69K Full Waterproof Panel PC with Intel® Pentium® N4200 Processor



Features

- 15.6" LCD Panel with Projected Capacitive Touch
- Intel® Pentium® N4200 Processor
- Support 1920 x1080 Full HD resolution
- Completely Flat Front Panel Design
- Stainless Steel SU316, Full IP66/69K Waterproof
- Support VESA Mounting and Yoke Mounting

Applications

- Food & Beverage Processing Application
- Hospitality and Catering Service
- Pharmaceutical and Biopharmaceutical Equipment
- Animal Feed Production Facility
- Chemical, Gas & Oil Critical Environment

→ Packing List

Description
1 x PPC-Z153PW
1 x Driver CD

→ Optional Items

Part No.	Description
APW-60M12V-01	12V, 60W, 5A, 5-pin M12 Connector (US)
APW-60M12V-02	12V, 60W, 5A, 5-pin M12 Connector (EU)
AKT-USB2M12	M12 Connector to USB Cable, 2m
AKT-COM2M12	M12 Connector to DB9 Cable, 2m
AKT-VGA2M12	M12 Connector to DB15 Cable, 2m
AKT-LAN2M12	M12 Connector to LAN Cable, 2m
ACS-100-STD	VESA Table Stand

→ Ordering Information

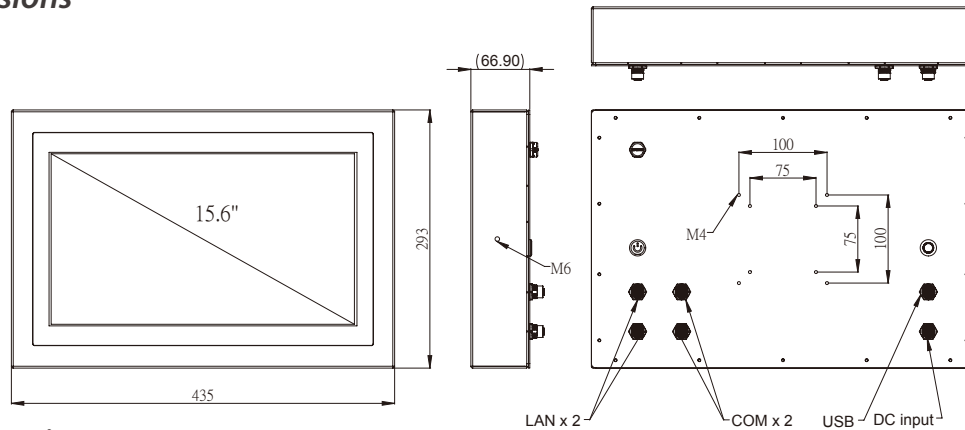
Part No.	Description
PPC-Z153PW-1A1	15.6" 16:9 LCD (1366 x 768), Stainless Steel Full IP69K Protection, Fanless Panel PC with Intel® Pentium™ N4200 2.5 GHz CPU, Projected Capacitive Touch, 4G RAM, 64G SSD, 2 USB 2.0, 1 RS-232/422/485 1 RS-232, 2 GbE, DC 9-36 V
PPC-Z153PW-2A1	15.6" 16:9 LCD (1920 x 1080), Stainless Steel Full IP69K Protection, Fanless Panel PC with Intel® Pentium™ N4200 2.5 GHz CPU, Projected Capacitive Touch, 4G RAM, 64G SSD, 2 USB 2.0, 1 RS-232/422/485 1 RS-232, 2 GbE, DC 9-36 V

www.arestech.com.tw

PPC-Z153PW



→ Dimensions



→ Specifications

	Model	PPC-Z153PW-1A1	PPC-Z153PW-2A1
Processor System	CPU	Intel® Pentium® N4200	
	Frequency	Quad-Core up to 2.5 GHz	
	L2 Cache	2 MB	
	System Chipset	N/A	
	BIOS	UEFI	
Memory	Technology	DDR3L 1866 MHz SDRAM	
	Max. Capacity	Up to 8 GB	
	Socket	Dual SO-DIMM Socket	
Display	Panel Size	15.6" LCD Panel	
	Resolution	1366 x 768 (HD)	1920 x 1080 (FHD)
	Viewing Angle	85 x 85 (H) x 80 x 80 (V)	70 x 70 (H) x 60 x 60 (V)
	Brightness	300 (cd/m2)	
	Color Support	16.2M	
	Contrast Ratio	500:1	
	Response Time	3 (msec)	8 (msec)
	VGA	Up to 1920 x 1200	
	Connector Type	M12	
	Dual Display	LCD	
Touchscreen	Touchscreen Type	Projected Capacitive	
	Surface Hardness	7 Mohs	
	Durability	-	
	Transparency	90% (±3%)	
I/O Interface	USB	2 USB 2.0, M12 Connector	
	Serial Port	2 COM (1 RS-232, 1 RS-232/422/485), M12 Connector	
	Expansion	1 Mini PCIe (Full-size), 1 M.2 Slot	
Ethernet	Controller	Dual GbE, 10/100/1000 Mbps (Intel i219V, i211), M12 Connector	
Audio	Chipset	Realtek High Definition Audio (HD)	
	Connector	N/A	
Storage	SATA II	1 Internal 2.5" HDD/SSD	
Power	Power Supply Voltage	9-36 V DC input	
	Connector Type	M12	
	Power Consumption (Typical)	TBD	
	Power Consumption (Max.)	TBD	
	Battery	Lithium 3 V / 210 mA/H	
Environment	Operating Temperature	-20~60° C (-4~140°F) w/ 2.5" Extended Temperature RAM & SSD	0~60° C (32~140°F)
	Storage Temperature	-40~85° C (-40~185°F)	
	Humidity	5~95% @ 40° C, Non-condensing	
	Vibration	5-500 Hz, 0.026 G ² /Hz, 2.16 Grms, X, Y, Z, 1 hour per axis	
	Certification	TBD	
General	Front Panel Waterproof	Full IP66/69K, Stainless Steel 316	
	Dimensions (L x W x H)	435 x 66.90 x 293 mm	
	Weight	7.415 kg	
	Operating System	Windows 7/8.1/10, WES7-E/P, WE8S	

Tel: +886-2-2790-1930 Fax: +886-2-2790-1936 Email: service@arestech.com.tw

Assured Systems

Assured Systems is a leading technology company with over 1,500 regular clients in 80 countries, deploying over 85,000 systems to a diverse customer base in 12 years of business. We offer high-quality and innovative rugged computing, display, networking and data collection solutions to the embedded, industrial, and digital-out-of-home market sectors.

US

sales@assured-systems.com

Sales: +1 347 719 4508
Support: +1 347 719 4508

1309 Coffeen Ave
Ste 1200
Sheridan
WY 82801
USA

EMEA

sales@assured-systems.com

Sales: +44 (0)1785 879 050
Support: +44 (0)1785 879 050

Unit A5 Douglas Park
Stone Business Park
Stone
ST15 0YJ
United Kingdom

VAT Number: 120 9546 28
Business Registration Number: 07699660