

XPPC 10-100

10.1" TFT WXGA 16:10 Slim Bezel, Multi-touch Computer
Powered by Intel® Apollo Lake J3455 Processor



Main Features

- 10.1" TFT WXGA 16:10 panel
- 10 Points P-Cap multi-touch with slim bezel design
- IP65 protection on the front
- Support: VESA/panel/openframe mount
- Intel® Celeron® processor J3455, Quad Core, 1.50 GHz
- 1 x DDR3L up to 8GB, M.2 M-key 2242 for storage device
- Support power input 19 VDC

Product Overview

The 10.1" fanless touch computer XPPC 10-100 incorporating an industrial motherboard is intended for versatile industrial applications. XPPC 10-100 has a touch screen LED backlight LCD panel with 1280 x 800 (WXGA) resolution and 400-nit brightness. The front panel which adopts flush design and complies with IP65 standard by panel mount makes it the perfect fit in industrial applications. XPPC10-100 powered by Intel® Celeron® processor and support DDR3L up to 8GB. XPPC 10-100 has slim design and weight optimization. XPPC 10-100 support multi-mounting choice based on different application. XPPC 10-100 can be applied in different situations. For example: restaurants, convenience store and self-ordering system.

Specifications

Panel

- LCD size: AUO G-series 10.1", 16:10
- Resolution: WXGA 1280 x 800
- Luminance: 400cd/m2
- Contrast ratio: 800
- LCD color: 16.7M
- Viewing angle: 89 (U), 89 (D), 89 (L), 89 (R)
- Backlight: LED

Touch Screen

- 10 Points P-Cap (projected capacitive touch)
- Optical bonding
- Glass surface treatment: AS

System

- CPU: on-board Intel® Celeron® processor J3455, 1.50GHz, 2M cache
- Graphic: Intel® HD Graphics

Main Memory

- 1 x SO-DIMM socket support up to 8GB DDR3L 1866 MHz, non-ECC and un-buffered memory

Storage Device

- 1 x M.2 M key 2242 SSD up to 128G max (support SATA 3.0)

Expansion

- 1 x mini-PCIe full-size connector with SIM slot (full-size) on board, support Wi-Fi/LTE module

Rear I/O

- LED for power on/off
- Power switch
- 19V DC-in power jack lock type
- 2 x RJ45 with LEDs for Gigabit LAN
- 1 x HDMI 2.0, resolution 4096 x 2160 60Hz
- 2 x USB 3.0
- 1 x Line-out
- COM 1: RS232/422/485

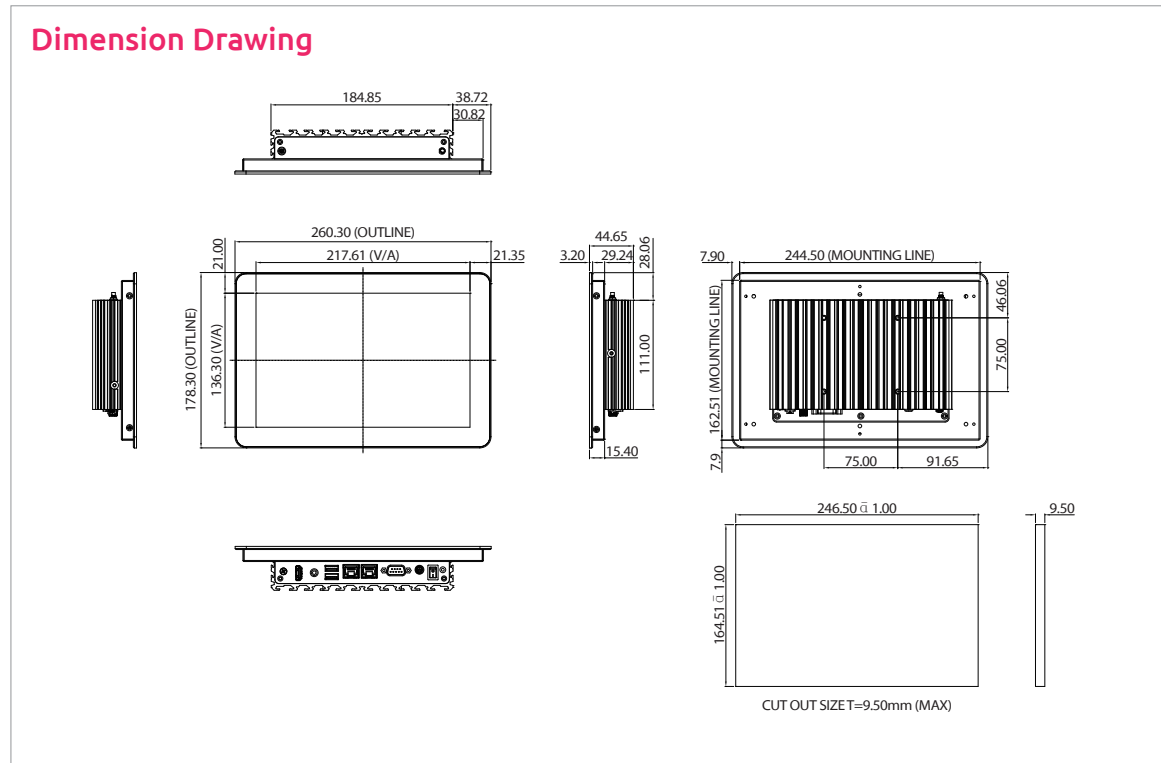
Front I/O

- 2 x Antenna hole

Mechanical

- Color/material: black silver/metal sheet
- Support
 - VESA mount 75mm x 75mm
 - Panel mount
 - Open frame

www.nexcom.com



Environment

- Vibration
 - IEC 68 2-64
 - 2Grms @ sine, 5~500Hz, 1hr/axis
 - 2.2Grms @ random condition, 5~500Hz, 0.5hr/axis (non-operating)
- Shock
 - IEC 68 2-27
 - 20g peak acceleration (11 msec. duration)
- Temperature
 - Operating temperature: 0°C~50°C
 - Storage temperature: -20°C~60°C
- Operating humidity: 10%~90% relative humidity, non-condensing limits to be at 90%

Dimensions

- 260.3mm x 178.3mm x 44.65mm
- System weight: 2 kg
- Package weight: 3 kg

Power Supply

- 1 x External 45W AC/DC power adapter with lock (power adapter is included in accessory)
- Input: 100VAC to 240VAC
- Output: DC+19VDC

Certifications

- CE (EN55035 + EN55032)
- FCC Class A (EMI part 15B)
- LVD

OS Support Lists

- Windows 10 64-bit
- Linux 4.1

Ordering Information

Barebone

- **XPPC10-100 (P/N: 10W30XPPC00X0)**
10.1" WXGA LED P-Cap touch computer, Intel® Celeron® J3455
- **Panel Mount Kit (P/N: TBC)**
- **Open Frame Kit (P/N: TBC)**

Assured Systems

Assured Systems is a leading technology company with over 1,500 regular clients in 80 countries, deploying over 85,000 systems to a diverse customer base in 12 years of business. We offer high-quality and innovative rugged computing, display, networking and data collection solutions to the embedded, industrial, and digital-out-of-home market sectors.

US

sales@assured-systems.com

Sales: +1 347 719 4508
Support: +1 347 719 4508

1309 Coffeen Ave
Ste 1200
Sheridan
WY 82801
USA

EMEA

sales@assured-systems.com

Sales: +44 (0)1785 879 050
Support: +44 (0)1785 879 050

Unit A5 Douglas Park
Stone Business Park
Stone
ST15 0YJ
United Kingdom

VAT Number: 120 9546 28
Business Registration Number: 07699660