

# R15IB3S-65A1FTP

## 15" Intel® Celeron® N2930 IP65 Stainless PCAP Chassis Panel PC



### KEY FEATURES

- Full IP65 dust/water resistant
- Robust and fanless design for reliable operation
- Fanless Colling System and Ultra Low power consumption
- Support Intel® Celeron® N2930 Processor
- SUS 316/ AISI 316 stainless steel for food and chemical industries
- Special Flat Touch Design easy to maintain
- Projective Capacitive Touch
- Optical bonding (optional)



### OVERVIEW



#### Waterproof All-Around

The Panel PC complies with IP65 water and dust resistance for regular cleanup processes and strict hygiene standards in the Food, Beverage, and Pharmaceutical industries.



#### Comprehensive Stainless Solution

The wide range of stainless human-machine interfaces (HMI) and Panel PCs are widely used for automation processes in Food & Beverage applications and chemical factories.



#### Projected Capacitive Multi-Touch (P-CAP)

The highly-sensitive touch screen and PCAP multi-touch support make it easy for users to key in data, rotate images, drag and drop files, and zoom in with two or more fingers.



#### Chassis Design

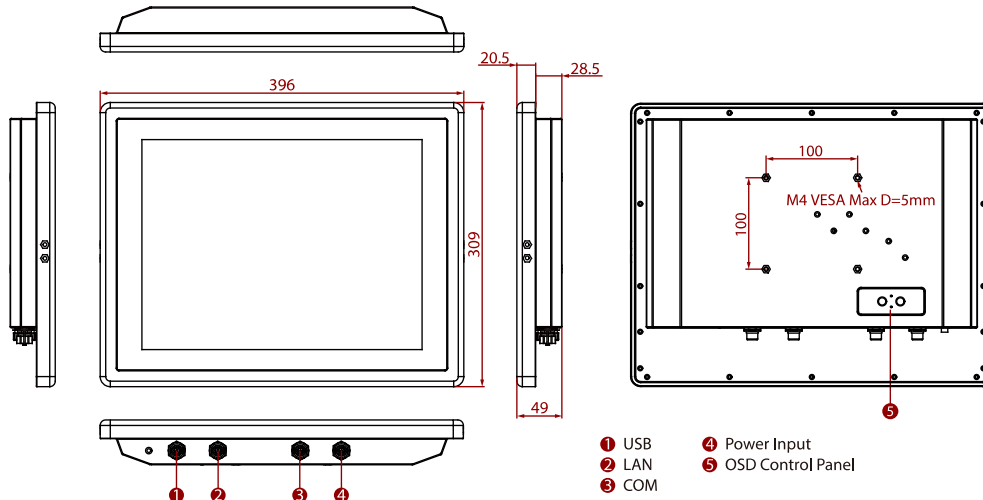
The covered chassis design for the touch screen display is stylish and supports different mounting brackets for easy installation.

### SPECIFICATIONS

Display			
Resolution	1024x768	Size	15.0 inches
Contrast Ratio	2500:1	Panel Brightness	500.0 nits
View Angles	88,88,88,88	Active Area	304.1x228.1 mm
Touch / Glass	Projected Capacitive Multi Touch Screen		
System Specification			
Processor	Intel Celeron N2930 1.83GHz (up to 2.16GHz)	Memory	1 x SO-DIMM, DDR3L 1600 MHz, 4GB 8GB (Optional)
Storage	1 x mSATA SSD 128GB 256GB (Optional) 512GB (Optional)	Ethernet controller	2 x Intel® Ethernet Controller

<b>Operating System</b>	Windows 10 IoT Enterprise (64 bit) (Optional) Linux Ubuntu 20.04 (Optional)	<b>WLAN</b>	Support (Optional)
<b>BT</b>	Support (Optional)		
<b>Mechanical</b>			
<b>Dimension</b>	396 x 310 x 49 mm	<b>Weight</b>	5.7 kg
<b>Mounting</b>	VESA Mount	<b>Enclosure</b>	Stainless Housing
<b>Cooling System</b>	Fanless design		
<b>Environment</b>			
<b>Operating Humidity</b>	10% to 90% RH, Non-Condensing	<b>Operating Temperature</b>	0°C to 45°C
<b>Storage Temperature</b>	-20°C to 60°C	<b>IP rating</b>	IP65
<b>Certification</b>			
<b>Certification</b>	CE, FCC		
<b>IO Ports</b>			
<b>Power Input</b>	1 x M12 waterproof connector for 12V DC	<b>USB Port</b>	1x M12 waterproof connector for 2 x USB2.0
<b>Serial Port</b>	1 x M12 waterproof connector for RS232	<b>LAN</b>	1 x waterproof Giga LAN RJ45 connector
<b>Indicator</b>	1 x LED Indicator for power 1 x LED Indicator for storage		
<b>Control</b>			
<b>Button</b>	1 x Power Button 1 x Reset Button		
<b>Accessory</b>			
<b>Accessory</b>	External USB cable with waterproof connector External COM cable with waterproof connector External LAN cable with waterproof connector Waterproof caps VESA screws 100~240V AC to DC Adapter with waterproof connector Power Cord		
<b>Power</b>			
<b>Power Rating</b>	12V DC (M12 type)		

## DIMENSIONS UNIT:MM



## NOTE

1. This is a simplified drawing and some components are not marked in detail.
2. Windows 10 operating system requires installing a new version of BIOS and OS image.
3. Windows 7 does not support the TPM 2.0 function.
4. The product shown in this datasheet is a standard model. For diagrams that contain customized or optional I/O, please contact the Winmate Sales Team for more information.
5. All specifications are subject to change without prior notice.

## Assured Systems

Assured Systems is a leading technology company with over 1,500 regular clients in 80 countries, deploying over 85,000 systems to a diverse customer base in 12 years of business. We offer high-quality and innovative rugged computing, display, networking and data collection solutions to the embedded, industrial, and digital-out-of-home market sectors.

### US

[sales@assured-systems.com](mailto:sales@assured-systems.com)

Sales: +1 347 719 4508  
Support: +1 347 719 4508

1309 Coffeen Ave  
Ste 1200  
Sheridan  
WY 82801  
USA

### EMEA

[sales@assured-systems.com](mailto:sales@assured-systems.com)

Sales: +44 (0)1785 879 050  
Support: +44 (0)1785 879 050

Unit A5 Douglas Park  
Stone Business Park  
Stone  
ST15 0YJ  
United Kingdom

VAT Number: 120 9546 28  
Business Registration Number: 07699660