

APPC 1250T

12.1" TFT XGA 4:3 Flush Panel PC with Intel® Celeron® J3455 1.50GHz
Touch Screen, 4GB DDR3L, 4 x USB, 3 x COM



Main Features

- 4:3 12.1" XGA fanless LED panel computer
- Intel® Celeron® J3455 processors, low consumption CPU
- Flush panel by 5-wire touch screen
- 2 X DDR4 2933MHz memory, up to 64GB (non-ECC)
- Dual Intel® GbE LAN ports/DP/Dual USB 3.0 & USB 2.0
- 1 x mini-PCIe sockets, 1 x M.2, 1 x RS232/422/485
- DDR3L 4GB/2.5" HDD bracket
- IP66 compliant front panel
- Mounting support: panel/wall/stand/VESA 100mm x 100mm
- DC power input 24VDC

Product Overview

The 12.1" XGA fanless panel PC APPC 1250T incorporating an industrial motherboard is intended for versatile industrial applications. APPC 1250T supports 1024 x 768 (XGA) resolution and 500-nit brightness. The front panel which adopts flush design and complies with IP65 standard makes it the perfect fit in industrial applications.

APPC 1250T supports LTE, WLAN communications via dual Gigabit Ethernet connectors and mini-PCIe slot. Several options are on storage devices like M.2 and 2.5" SSD. With support for DC power input of 24VDC, APPC 1250T can gain a strong foothold in industrial field and machine devices. In addition, APPC 1250T can hook 2nd display via a DP for dual independent display, with the 3 x COM ports option, will makes it a real intelligent system for various solutions.

Specifications

Panel

- LCD size: 12.1", 4:3
- Resolution: XGA 1024 x 768
- Luminance: 500cd/m²
- Contrast ratio: 700
- LCD color: 16.7M
- Viewing angle: 70(U), 70(D), 80(L), 80(R)
- Backlight: LED

Touch Screen

- 5-wire resistive (Flush panel type)
- Light transmission: 80%
- Interface: USB

System

- CPU: onboard Intel® Celeron® J3455 Quad Core processor, 1.50GHz
- BIOS: AMI BIOS
- System memory: 1 x 204-pin DDR3L SO DIMM socket, 4GB DDR3L (default), support up to 8GB DDR3L 1866, non-ECC and un-buffered
- Storage device:
 - 1 x Internal M.2 2242
 - 1 x Hard drive bay: optional 1 x 2.5" SATA HDD
- Watchdog timer: Watchdog timeout can be programmable by

software from 1 second to 255 seconds and from 1 minute to 255 minutes (tolerance 15% under room temperature 25°C)

- Expansion: 1 x mini-PCIe sockets (support optional Wi-Fi module)
- Front LED indicator to show operating status

Rear I/O

- Ethernet: 2 x RJ45
- Display: 2 x DP1.2
- USB: 2 x USB 2.0, 2 x USB 3.0
- LED indicator: power/HDD/GPIO programmable LED
- Power button
- COM #3: RS232/422/485
- COM #1&2: RS232

Ethernet

- LAN chip: dual Intel® I210 IT Gigabit LAN
- Ethernet interface: 10/100/1000 based-Tx Ethernet compatible

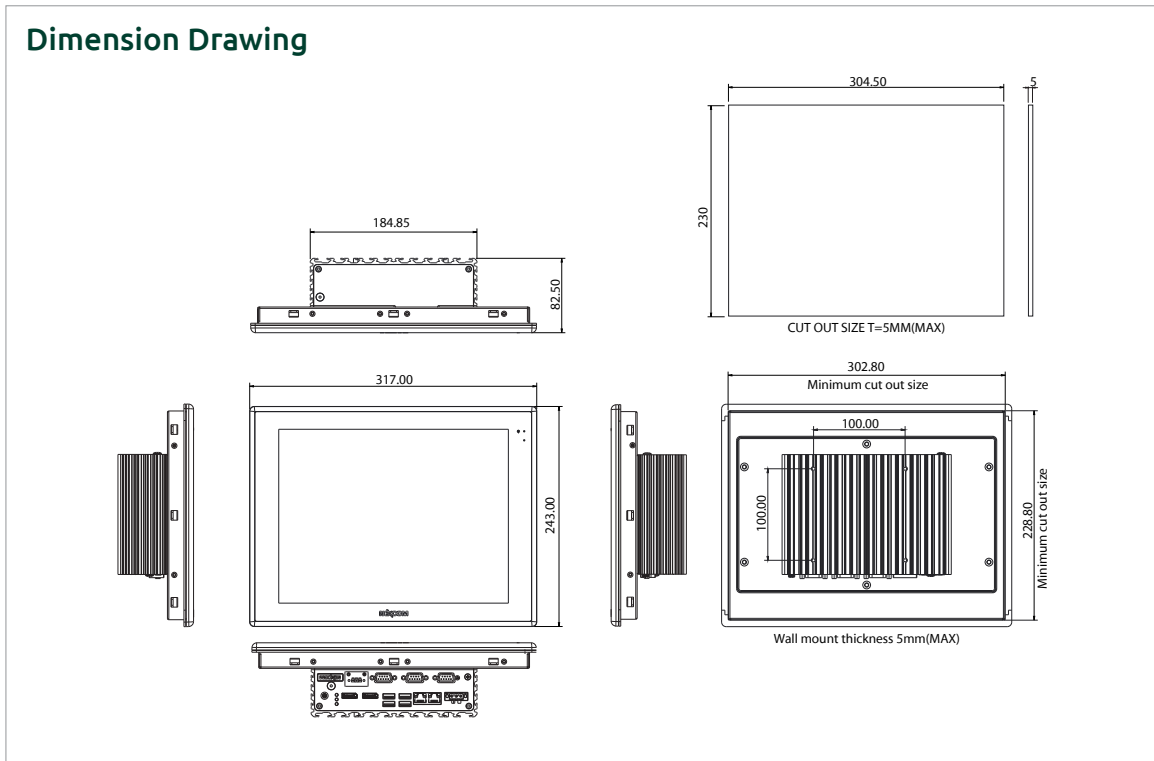
Mechanical & Environment

- Color: Pantone black\RAL 15 00 front bezel w/ Pantone 400C\RAL 090 80 10 metal style membrane and black silver PC box
- IP protection: IP65 front
- Mounting: panel/wall/stand/VESA 100mm x 100mm

www.nexaiot.com



Dimension Drawing



- Power:
 - Power input: 24 VDC
 - Power adapter: optional AC to DC power adapter (+24V, 60W)
- Vibration:
 - IEC 68 2-64 (w/ HDD)
 - 1Grms @ sine, 5~500Hz, 1hr/axis (HDD operating)
 - 2Grms @ sine, 5~500Hz, 1hr/axis (M.2/SSD operating)
 - 2.2Grms @ random condition, 5~500Hz, 0.5hr/axis (non-operating)
- Shock:
 - IEC 68 2-27
 - HDD: 20G @ wall mount, half sine, 11ms
- Temperature:
 - Operating temperature: 0°C to 50°C
 - Storage temperature: -20°C to 75°C
- Operating humidity: 10%~90% relative humidity, non-condensing (limits to be at 90% RH at max 50°C)
- Dimension: 317 x 243 x 82.5 mm
- Weight: 3.5kg

Certifications

- CE approval
- FCC Class A

OS Support Lists

- Windows 10 64-bit

Ordering Information

Barebone

- **APPC 1250T (10IA0125000X0)**
12.1" XGA LED backlight touch panel PC, Intel® Celeron® J3455, Quad Core processor, 1.50GHz, touch screen, 4GB DDR3L, 1 x RS232/422/485

Options

- **24V, 60W AC/DC power adapter w/o power cord (P/N: 7400060054X00)**

Assured Systems

Assured Systems is a leading technology company with over 1,500 regular clients in 80 countries, deploying over 85,000 systems to a diverse customer base in 12 years of business. We offer high-quality and innovative rugged computing, display, networking and data collection solutions to the embedded, industrial, and digital-out-of-home market sectors.

US

sales@assured-systems.com

Sales: +1 347 719 4508
Support: +1 347 719 4508

1309 Coffeen Ave
Ste 1200
Sheridan
WY 82801
USA

EMEA

sales@assured-systems.com

Sales: +44 (0)1785 879 050
Support: +44 (0)1785 879 050

Unit A5 Douglas Park
Stone Business Park
Stone
ST15 0YJ
United Kingdom

VAT Number: 120 9546 28
Business Registration Number: 07699660