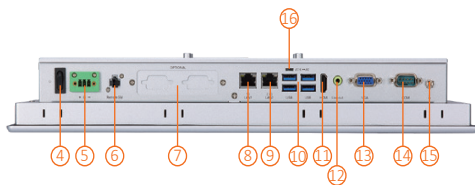
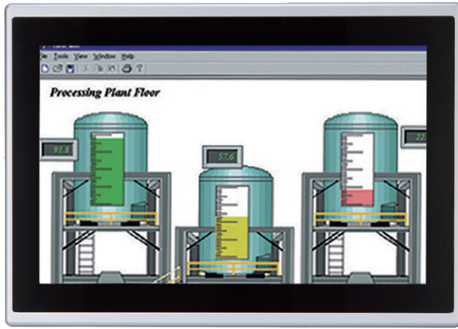


# GOT315A-ELK-WCD NEW

15.6" WXGA TFT Multi-touch Panel Computer with Intel® Celeron® Processor J6412

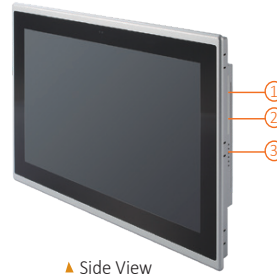


- |                                      |                                |
|--------------------------------------|--------------------------------|
| 1. Backlight on/off                  | 9. 1 x 2.5GbE LAN              |
| 2. Brightness settings +/-           | 10. 4 x USB 3.2 Gen2           |
| 3. Speaker                           | 11. 1 x HDMI                   |
| 4. Power button                      | 12. 1 x Line-in/out            |
| 5. DC power input                    | 13. 1 x VGA                    |
| 6. Remote power switch               | 14. 1 x COM for RS-232/422/485 |
| 7. Flexible I/O (default 2 x RS-232) | 15. Grounding hole             |
| 8. 1 x 1GbE LAN                      | 16. AT/ATX switch              |

□□□□ x Wireless a □□□□□□□□□□

## Features

- 15.6" WXGA projected capacitive multi-touch widescreen
- Fanless design with Intel® Celeron® processor J6412
- Supports WLAN module and antenna (optional)
- 2.5" SATA SSD
- 2 LAN, 4 USB, 1+2 COM, 1 HDMI, and 1 VGA
- IP65-rated aluminum front bezel
- Supports panel mount, VESA mount, desktop stand, and wall mount



▲ Side View



▲ Rear View

## Introduction

The GOT315A-ELK-WCD is a multi-touch fanless type panel PC with 15.6-inch WXGA LCD and supports Intel® Celeron® processor J6412. It also provides M.2 Key E and PCI Express Mini Card slots for add-on devices such like Wi-Fi module for factory automation, and oil pipe monitoring system.

### 15.6-inch WXGA LCD with Projected Capacitive Multi-touch

The 15.6" WXGA touch panel PC supports 400 nits brightness, able to display contents in WXGA resolution. With projected capacitive multi-touch screen, users can operate the device more directly and friendly. The touch glass surface is up to 7H for anti-scratch purpose.

## Specifications

Front Bezel	IP65 front bezel	
LCD Panel	Display Type	15.6" WXGA TFT LCD
	Brightness (cd/m <sup>2</sup> )	400 nits
	Resolution	1366 x 768
Main System	CPU	Intel® Celeron® processor J6412 (TDP 10W) (Elkhart Lake)
	Chipset	SoC integrated
	System Memory	1 x 260-pin DDR4 2133/2400/2666/3200 SO-DIMM, up to 32GB
	BIOS	AMI UEFI BIOS
	Storage	1 x mSATA
		1 x 2.5" SATA SSD (7 mm or 9.5 mm height; removable)
	Watchdog Timer	255 levels, 0 to 255 sec.
	Onboard Graphics	Integrated with Intel® UHD Graphics

I/O Connector	1 x Flexible I/O (default 2 x RS-232) 1 x COM for RS-232/422/485 1 x RJ-45 2.5Gb Base-T Ethernet (Intel® I226-LM with TSN) 1 x RJ-45 1Gb Base-T Ethernet (Intel® I210-AT) 4 x USB 3.2 Gen2 (10 Gbps) 1 x Phoenix type connector for DC power input 1 x Switch for power on/off (ATX) 1 x Line-in/out 1 x HDMI 1.4 (4K60Hz YCbCr420) 1 x VGA 1 x Remote power switch 1 x AT/ATX switch (DC type only) 1 x Grounding hole (DC version)
TPM	TPM 2.0
Expansion Interface	1 x Full-size PCI-Express Mini Card slot (PCIe/SATA + USB) 1 x M.2 Key E 2230 (for Wi-Fi)
Touchscreen	Projected capacitive multi-touch
Power Supply	9 to 36VDC 1 x Terminal block
Power Consumption	60.3W (Maximum)
Dimensions	409.18 mm (16.1") x 59.4 mm (2.3") x 265.18 mm (10.4")
Packing Dimensions	535 mm (21.06") (W) x 485 mm (19.09") (D) x 196 mm (7.71") (H)
Weight (net/gross)	5.07 kg (11.17 lb)/ 7.11 kg (15.66 lb)
Operating Temperature	-10°C to 50°C (+14°F to +122°F)
Relative Humidity	20% to 90% @ +40°C; non-condensing
Operation Vibration	1G, 5 to 500Hz, random for 2.5" SATA SSD
Certifications	CE, EN 61000-6-2, EN 61000-6-4, and FCC Class A

### Ordering Information

GOT315A-ELK-WCD (P/N: E22B315A00)	15.6" WXGA TFT fanless touch panel computer with Intel® Celeron® processor J6412, projected capacitive multi-touch screen, and 9 to 36 VDC terminal block with small Phoenix connector
--------------------------------------	--

\* Other configuration by request

\* Specification and certifications may vary based on different requirements

### Packing List

1 x GOT315A-ELK-WCD
1 x Phoenix connector
1 x Panel mount kit

### Optional Accessories

4G LTE kit	
Wi-Fi kit	
RFID kit	
Barcode scanner kit	
881231770A0E	Wall mount kit
509000001500	Adaptor 24V/120W, wire only, FSP120-AAAN3
882B315A1A0E	Panel mount kit
E392902101	AX92902+AX93287 full-size PCI Express Mini Module with Gigabit LAN
E392903100	AX92903 full-size PCI Express Mini Module with CAN Bus
E392904101	AX92904 full-size PCI Express Mini Module with 32-bit DIO
E392918102	AX92918 full-size PCI Express Mini Module with 2 Gigabit LAN

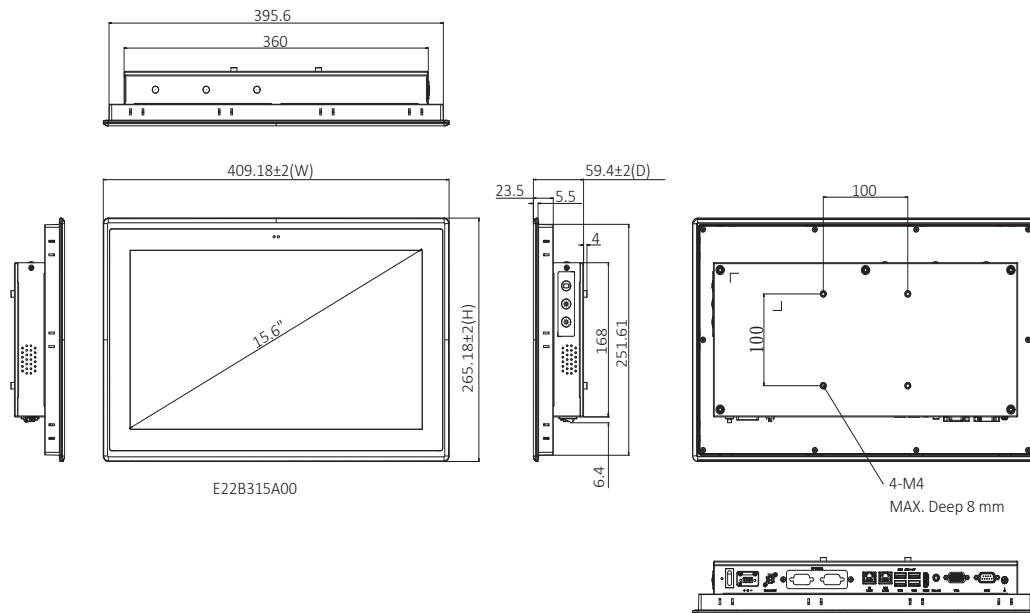
### Optional EOS Installation

Windows® 10 IoT, Windows® 11 IoT

### Optional OS Installation

Windows® 10, Windows® 11, and Linux

### Dimensions



## Assured Systems

Assured Systems is a leading technology company with over 1,500 regular clients in 80 countries, deploying over 85,000 systems to a diverse customer base in 12 years of business. We offer high-quality and innovative rugged computing, display, networking and data collection solutions to the embedded, industrial, and digital-out-of-home market sectors.

### US

[sales@assured-systems.com](mailto:sales@assured-systems.com)

Sales: +1 347 719 4508  
Support: +1 347 719 4508

1309 Coffeen Ave  
Ste 1200  
Sheridan  
WY 82801  
USA

### EMEA

[sales@assured-systems.com](mailto:sales@assured-systems.com)

Sales: +44 (0)1785 879 050  
Support: +44 (0)1785 879 050

Unit A5 Douglas Park  
Stone Business Park  
Stone  
ST15 0YJ  
United Kingdom

VAT Number: 120 9546 28  
Business Registration Number: 07699660