

LPC-P101W-1X

10.1" P-cap Panel PC with 7th/6th Gen KabyLake-U/Skylake-U Core™ i7/i5/i3, IP65 / 66 Bezel-Free and Wide Range Power Input



Features

- ▶ 7th/6th Gen KabyLake-U/Skylake-U Core™ i7/i5/i3
- ▶ IP65 / 66 Front Panel
- ▶ Bezel-Free Design
- ▶ 10.1" P-cap Flat Bezel
- ▶ Fanless Design
- ▶ 3-Pin Power Input Terminal Block
- ▶ DC 12~24V Wide Range Power Input
- ▶ 1280*800 Resolution
- ▶ 500 nits LED Backlight
- ▶ Optional 1000 nits LED Backlight
- ▶ Optional to Resistive Touch

System	
Processor	7th/6th Gen KabyLake-U/Skylake-U Core™ i7/i5/i3
System Memory	DDR4 2133 MHz SO-DIMM, up to 16 GB
External I/O Port	4 x USB 3.0 2 x GbE LAN (I210-AT & I219LM, AMT 11.x supported) 1 x Display Port 1 x HDMI 2 x RS-232 1 x RS-232/422/485(COM1) 1 x Audio 1 x Power press button 1 x 3-Pin Power Input
Storage	1 x CFast Slot 2 x SATA (internal)
Operating System	6th Gen CPU for Win 7 Pro/ WES7 / Win 8 / Win 10 7th Gen CPU for Win 10
Expansion	2 x MiniPCIe Slot

LCD	
Display Type	10.1" TFT LCD
Max. Resolution	1280*800
Max. Color	16.1M
Luminance	500 nits
View Angle	85/85/85/85
Backlight Lifetime	30,000 hours

Environment	
Operating Temp	-20~60 °C IEC-60068-2-1/2/14
Storage Temp	-30~70 °C
Humidity	10~90% @40 °C, non-condensing
EMC	FCC / CE Class A Certification CE Class B Compliant
Vibration	1.5 Grms @10~500Hz, IEC-60068-2-64

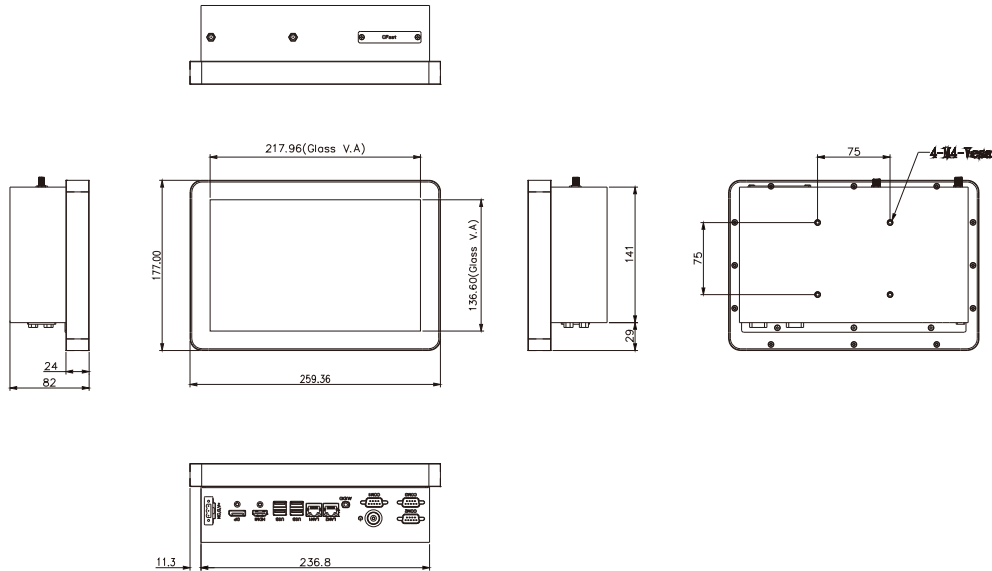
Power Requirement	
Power Input	3-Pin Power Input Terminal Block DC 12~24V Wide Range Power Input

Mechanical	
Construction	Aluminum Front Bezel and Metal Case
IP Rating	Front Panel IP65 / IP66 Compliant
Mounting	VESA / Panel Mount
Dimension	TBC

Touch Screen	
Type	10.1" P-cap USB

* All specifications are subject to change without prior notice.

Dimension & I/O Connector



Ordering Information

LPC-P101W-15	10.1" P-cap Panel PC with i3-6100U, 1280 x 800 Resolution, 500 nits, DC12~24V Power Input, including a 3-Pin Power Adapter (12V/7.5A)
LPC-P101W-16	10.1" P-cap Panel PC with i5-6300U, 1280 x 800 Resolution, 500 nits, DC12~24V Power Input, including a 3-Pin Power Adapter (12V/7.5A)
LPC-P101W-1K3	10.1" P-cap Panel PC with KabyLake i3-7100U, 1280 x 800 Resolution, 500 nits, DC12~24V Power Input, including a 3-Pin Power Adapter (12V/7.5A)
LPC-P101W-1K5	10.1" P-cap Panel PC with KabyLake i5-7300U, 1280 x 800 Resolution, 500 nits, DC12~24V Power Input, including a 3-Pin Power Adapter (12V/7.5A)
WFK-024	WiFi kits w/ cable & Antenna (2.4GHz, 802.11 b/g/n, 1T1R)
WFK-524	WiFi kits w/ cable & Antenna (2.4 & 5GHz, 802.11 a/b/g/n/ac + BT, 2T2R)
04-US-26-00002	120 W / 24V power adapter with 3 pin terminal block (For High Brightness Model)

Ordering Code

LPC-P101W-1X Series | -H / -OB / -B / -AG / -AR / -V

H = High Brightness 1000 nits LED backlight

OB = Optical Bonding

B = Glass Without Touch

AG = Anti-Glare

AR = Anti-Reflection

V = Vandal Proof Glass (By Project)

Assured Systems

Assured Systems is a leading technology company with over 1,500 regular clients in 80 countries, deploying over 85,000 systems to a diverse customer base in 12 years of business. We offer high-quality and innovative rugged computing, display, networking and data collection solutions to the embedded, industrial, and digital-out-of-home market sectors.

US

sales@assured-systems.com

Sales: +1 347 719 4508
Support: +1 347 719 4508

1309 Coffeen Ave
Ste 1200
Sheridan
WY 82801
USA

EMEA

sales@assured-systems.com

Sales: +44 (0)1785 879 050
Support: +44 (0)1785 879 050

Unit A5 Douglas Park
Stone Business Park
Stone
ST15 0YJ
United Kingdom

VAT Number: 120 9546 28
Business Registration Number: 07699660