



W10IE3S-GSH2

10.1" Intel® Celeron® N6211 G-WIN GS-Series Full IP65 PCAP Panel PC



KEY FEATURES

- 10.1" 1280 x 800 Resolution with Projected Capacitive Multi-Touch (P-CAP)
- Intel® Celeron® N6211 Elkhart Lake
- Fanless cooling system and ultra-low power consumption
- Edge-to-edge design
- Full IP65 design with Special M12 Waterproof connectors
- 1 x LAN, 1 x RS232, 1 x USB 2.0

INTRODUCTION

Winmate G-WIN GS Series Panel PC Series is engineered for demanding industrial applications, offering sizes from 7" to 15" with a fanless cooling system and ultra-low power consumption. These robust Panel PCs feature edge-to-edge design, PCAP multi-touch screens, and full IP65 protection with waterproof M12 connectors, ensuring resistance to water, dust, and harsh conditions. With versatile I/O options, rugged durability, and sleek functionality, they are ideal for manufacturing, outdoor kiosks, and other challenging environments.

OVERVIEW



Scratch-Resistant with Multi-Touch

The GS Series Panel PC equipped with a glass cover lens, the device is highly resistant to scratches. The P-Cap Touch functionality supports up to four touch points, providing smoother interaction and simplifying device operation, which enhances the user experience considerably.

Quiet & Efficient Fanless Cooling

The Winmate GS Series features a fanless cooling design, using heat sinks and vapor chambers to regulate temperatures efficiently and quietly without noisy fans. This energy-saving approach makes them perfect for panel PCs and industrial applications, balancing high performance with silent operation.





Custom M12 Waterproof Connectors in Full IP65 Design

The G-Win GS Series panel PC features M12 waterproof connectors, offering durable electrical connections ideal for industrial settings. Its IP65 rating ensures protection from dust and low-pressure water jets, guaranteeing reliability in tough environments. These characteristics make it an excellent choice for industries requiring robust and resilient equipment.

Flexible I/O Ports

Crafted to fulfill diverse industrial requirements, the Winmate G-WIN GS Series Panel PC features a wide array of I/O interfaces, such as 1 x LAN, 1 x RS232, and 1 x USB 2.0. These interfaces enable smooth connectivity and interaction with a broad spectrum of external devices and peripherals, enhancing the versatility of the Panel PCs across various applications.

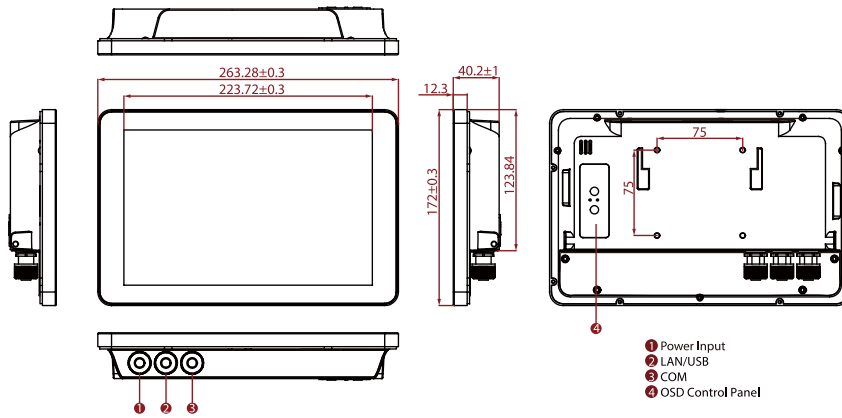


SPECIFICATIONS

Display			
Resolution	1280x800	Size	10.1 inches
Contrast Ratio	800:1	Panel Brightness	350.0 nits
View Angles	85,85,85,85	Active Area	216.96x135.6 mm
Touch / Glass	Projected Capacitive Multi Touch Screen Protection Glass (Optional)		
System Specification			
Processor	Intel® Celeron® N6211 (up to 3.0GHz)	Memory	1 x SO-DIMM, DDR4 3200 MHz, 4GB 8GB (Optional) 16GB (Optional)
Storage	1 x M.2 2242 B-key SSD 128GB 256GB (Optional) 512GB 1 x SATA III for 2.5" SSD/HDD up to 1TB (Optional)	Ethernet controller	2 x Intel® Ethernet Controller
Security	TPM 2.0	Operating System	Windows 11 IoT Enterprise (64 bit) (Optional) Windows 11 Pro 64 bit (Optional) Windows 10 IoT Enterprise (64 bit) (Optional) Linux Ubuntu 22.04 (Optional)
Environment			
Operating Humidity	10% to 95% RH	Operating Temperature	-15~55°C
Storage Temperature	-30°C to 60°C	Shock	40g for 11ms
Vibration	1.48/1.90/2.24 g rms for XYZ/ 5-500Hz	IP rating	IP65, Dustproof and Waterproof
Certification			
Certification	CE, FCC Compliant with MIL-STD-810F/G for vibration / shock		
IO Ports			
USB Port	1 x USB 2.0 (M12 type)	Serial Port	1 x RS232/422/485 (Default RS232)(M12 type)
LAN	1 x LAN-10/100/1000 (M12 type)	Indicator	1 x LED Indicator for power 1 x LED Indicator for storage
Mechanical			
Dimension	263.28 x 172 x 40.2 mm	Mounting	VESA Mount/ Panel Mount
Enclosure	Aluminum	Cooling System	Fanless Design
Power			
Power Rating	9-36V DC (M12 type)		
Accessory			
Accessory	Quick Start Guide (Hardcopy) M12 Power Cable M12 Serial Interface Cable M12 USB/ LAN Cable I/O Protective Cap x 3		
Control			
Button	1 x Power Button 1 x Reset Button		



DIMENSIONS UNIT:MM



NOTE

1. This is a simplified drawing and some components are not marked in detail.
2. Please contact our sales representative if you need further product information.
3. All specifications are subject to change without prior notice.
4. The product shown in this datasheet is a standard model. For diagrams that contain customized or optional I/O, please contact the Winmate Sales Team for more information.

Assured Systems

Assured Systems is a leading technology company with over 1,500 regular clients in 80 countries, deploying over 85,000 systems to a diverse customer base in 12 years of business. We offer high-quality and innovative rugged computing, display, networking and data collection solutions to the embedded, industrial, and digital-out-of-home market sectors.

US

sales@assured-systems.com

Sales: +1 347 719 4508
Support: +1 347 719 4508

1309 Coffeen Ave
Ste 1200
Sheridan
WY 82801
USA

EMEA

sales@assured-systems.com

Sales: +44 (0)1785 879 050
Support: +44 (0)1785 879 050

Unit A5 Douglas Park
Stone Business Park
Stone
ST15 0YJ
United Kingdom

VAT Number: 120 9546 28
Business Registration Number: 07699660