

# FM12E-VML

## 12.1" Intel Atom® x6425E Vehicle Mounted Computer Defence Panel PC



### KEY FEATURES

- Intel® Elkhart lake x6425E Processor
- 12.1" 1024 x 768 Panel with PCAP touch screen in vehicle computer
- IP65 waterproof and dustproof
- Wide power input 9-36V DC with ignition
- Wide range operating temperature
- Support VESA Mount
- IO ports with Defence grade 38999 connectors
- Compliant MIL-STD 810H/ MIL-STD 461F

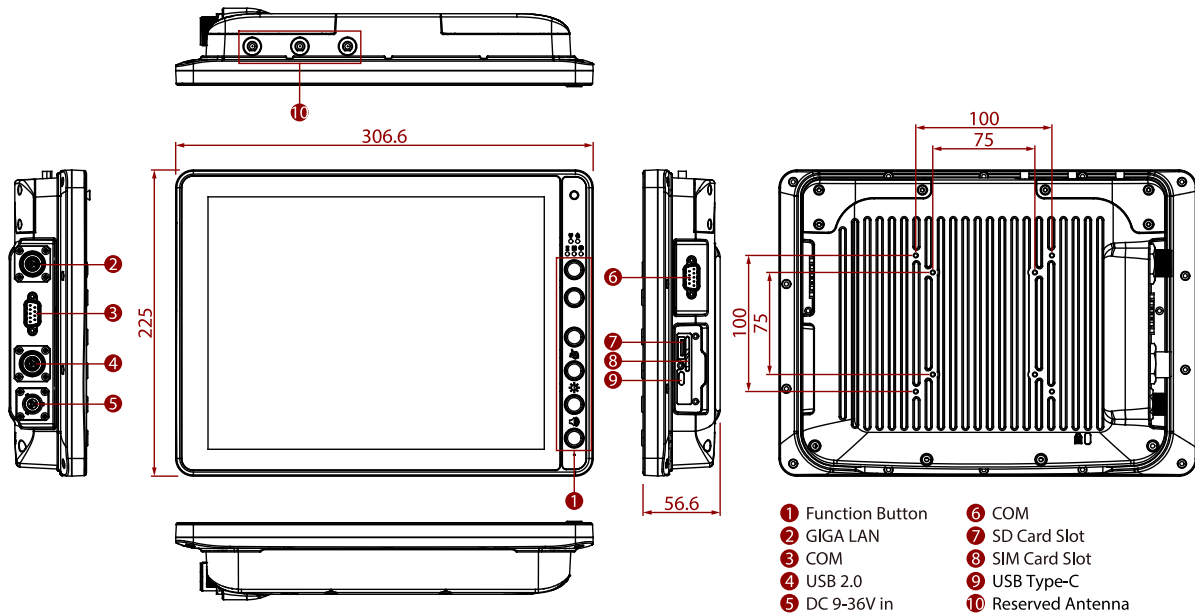


### SPECIFICATIONS

Display			
<b>Resolution</b>	1024x768	<b>Size</b>	12.1 inches
<b>Contrast Ratio</b>	1000:1	<b>Panel Brightness</b>	400 nits 800 nits(Optional)
<b>View Angles</b>	89,89,89,89	<b>Type</b>	Projected Capacitive Multi Touch
System Specification			
<b>Processor</b>	Intel Elkhart Lake x6425E Processor , 2.0 GHz	<b>Memory</b>	4GB SODIMM DDR4-3200 8GB SODIMM DDR4-3200 (Optional)
<b>Storage</b>	128GB M.2 SSD 256GB M.2 SSD (Optional)	<b>Security</b>	TPM 2.0
<b>Operating System</b>	Windows 10 IoT Enterprise	<b>WLAN</b>	Support
<b>BT</b>	Support	<b>WWAN</b>	4G/LTE (Optional)
<b>GNSS</b>	GPS/GLONASS (Optional)	<b>Sensors</b>	G-Sensor, Light Sensor ,Temp Sensor
Camera			
<b>Front Camera</b>	2MP Camera		
Environment			
<b>Operating Humidity</b>	5% to 90% RH, Non-Condensing	<b>Operating Temperature</b>	-30°C to 50°C
<b>Storage Temperature</b>	-30°C to 60°C	<b>Shock</b>	MIL-STD-810H Method 516.8 Procedure I
<b>Vibration</b>	MIL-STD-810H Method 514.8 Procedure I	<b>IP rating</b>	IP65 Certified, Waterproof and Dustproof
<b>Impact</b>	Support EN62262 IK07 Rating	<b>ESD</b>	Compliant with EN 61000-4-2, enhanced ESD to ±12kV direct & ±15kV air
Certification			
<b>Certification</b>	CE, FCC, UL60950-1, EN60950-1, PTCRB, FCC (Electromagnetic Emissions), IC (ICES-003)		
Compliance			
<b>MIL-STD 461E/F</b>	RE101 / RE102 CE101 / CE102 with EMI Glass / Touch(Optional) RS101 / RS 103 CS101 / CS 106 / CS 109 / CS 114 / CS 115 / CS 116		

Control			
<b>Button</b>	1 x Power Button, 5 x Function Button (Programmable Function Key Configured by Winset)		
IO Ports			
<b>USB Port</b>	1 x USB Type-C 1 x USB 2.0 Type-A (MIL-DTL-38999/3 connector)	<b>Serial Port</b>	2 x RS232/422/485 (Default RS232)
<b>SD Card Slot</b>	1 x Micro SD Card Slot	<b>SIM Card Slot</b>	1 x Dual-Nano SIM Card Slot
<b>LAN</b>	1 x Gigabit LAN port (MIL-DTL-38999/1 connector)	<b>Indicator</b>	4 x LED Indicator (WLAN, UPS battery, HDD, Heater)
Mechanical			
<b>Dimension</b>	306.6 x 225 x 56.6 mm	<b>Weight</b>	2.4kg
<b>Mounting</b>	RAM Mount/ VESA Mount	<b>Cooling System</b>	Fanless Design
Security Function			
<b>SOTI MobiControl</b>	SOTI MobiControl Compliance		
Accessory			
<b>Accessory</b>	1 x Quick Start Guide 1 x Power Cable (MIL-DTL-38999/1) 1 x USB Cable (MIL-DTL-38999/3) 1 x LAN Cable (MIL-DTL-38999/1) 1 x 84W Power Adapter 1 x Power converter Cable	<b>Optional Accessory</b>	1.8M RS232 Cable GPS & LTE 2M Combo Antenna (VM240) GPS & LTE 5M Combo Antenna (VM9C) GPS & LTE Combo Antenna (VM10S) WWAN Antenna GPS Antenna
Power			
<b>Battery</b>	400mAh UPS Battery for 20 minutes backup (Optional)	<b>Power Rating</b>	9V~36V with ignition control (MIL-DTL-38999/1 connector)

## DIMENSIONS UNIT:MM



**NOTE**

1. Total usable memory will be less dependent upon actual system configuration.
2. SOTI is available upon request.
3. Length measurements do not include protrusions. Weight varies with options.
4. Measured at dimming LCD brightness. Varies depending on the usage conditions, or when an external device is attached.
5. Accessories may vary depending on your configuration.
6. This is a simplified drawing and some components are not marked in detail.
7. The product shown in this datasheet is a standard model. For diagrams that contain customized or optional I/O, please contact the Winmate Sales Team for more information.

## Assured Systems

Assured Systems is a leading technology company with over 1,500 regular clients in 80 countries, deploying over 85,000 systems to a diverse customer base in 12 years of business. We offer high-quality and innovative rugged computing, display, networking and data collection solutions to the embedded, industrial, and digital-out-of-home market sectors.

### US

[sales@assured-systems.com](mailto:sales@assured-systems.com)

Sales: +1 347 719 4508  
Support: +1 347 719 4508

1309 Coffeen Ave  
Ste 1200  
Sheridan  
WY 82801  
USA

### EMEA

[sales@assured-systems.com](mailto:sales@assured-systems.com)

Sales: +44 (0)1785 879 050  
Support: +44 (0)1785 879 050

Unit A5 Douglas Park  
Stone Business Park  
Stone  
ST15 0YJ  
United Kingdom

VAT Number: 120 9546 28  
Business Registration Number: 07699660