



**Intel Atom® Processor E3800 Series  
In-Vehicle Fanless System**



**VC230-BT**

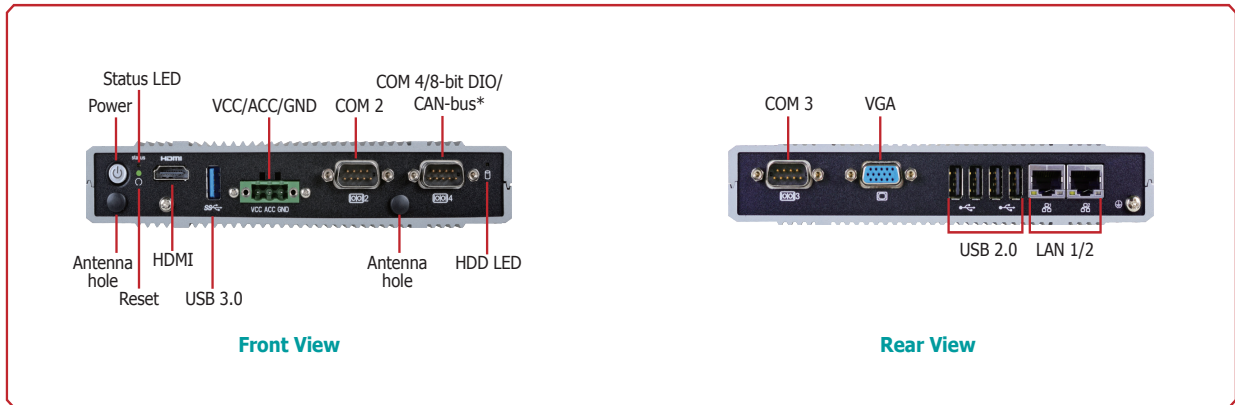


**► Features**

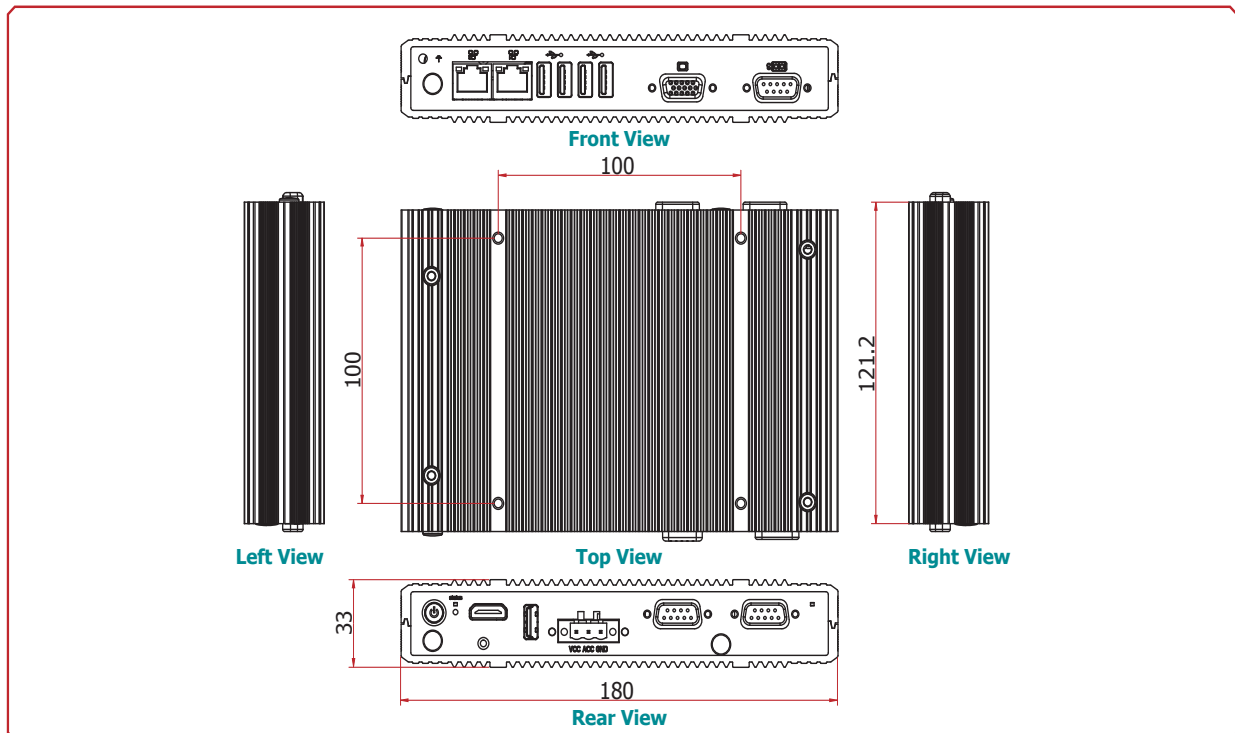
- Anti-vibration and fanless In-Vehicle computer
- Supports ignition delay on/off function
- 1 mSATA, eMMC (optional), microSD (optional)
- Supports Wi-Fi, 3G, and GPRS application



**► Panel**



**► Dimensions**





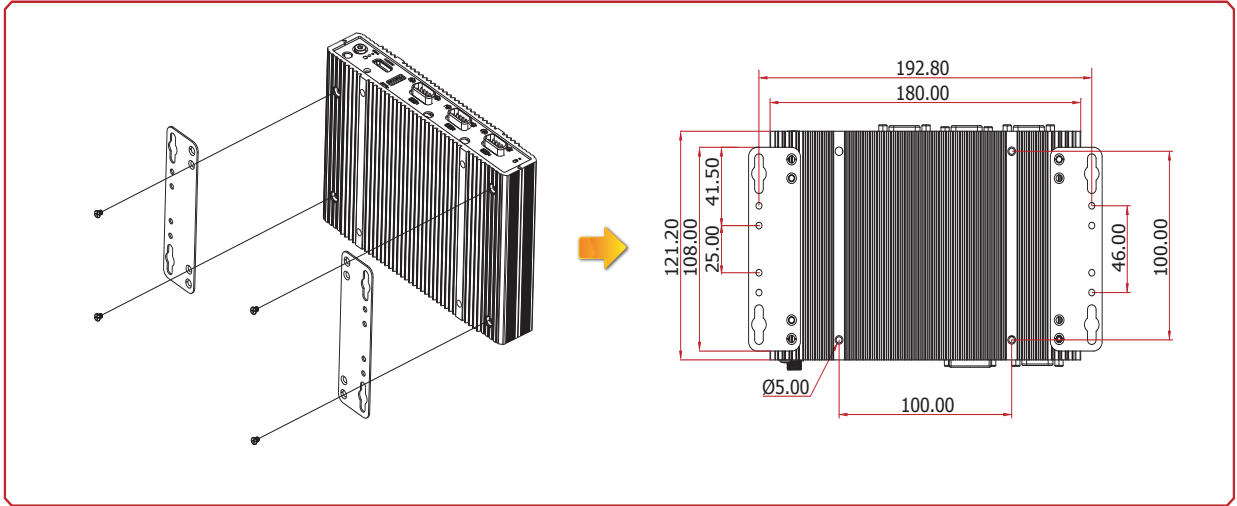
**Specifications**

<b>SYSTEM</b>	<b>Processor</b>	Intel Atom® Processor E3800 Series, BGA 1170 Intel Atom® E3845, Quad Core, 2M Cache, 1.91GHz, 10W Intel Atom® E3825, Dual Core, 1M Cache, 1.33GHz, 6W
	<b>Memory</b>	4GB/2GB ECC Memory Onboard Single Channel DDR3L 1333MHz (-E45) Single Channel DDR3L 1066MHz (-E25)
	<b>BIOS</b>	AMI SPI 64Mbit
<b>GRAPHICS</b>	<b>Controller</b>	Intel® HD Graphics
	<b>Display</b>	1 x VGA 1 x HDMI HDMI: resolution up to 1920x1080 @ 60Hz VGA: 24-bit, resolution up to 2560x1600 @ 60Hz
	<b>Dual Displays</b>	VGA + HDMI
<b>STORAGE</b>	<b>External/Internal</b>	4GB/8GB/16GB/32GB eMMC Onboard (available upon request)
<b>EXPANSION</b>	<b>Interface</b>	1 x Full-size Mini PCIe (PCIe/USB/3G/GPRS/CAN-Bus) 1 x Full-size Mini PCIe (SATA) 1 x Half-size Mini PCIe (PCIe/USB/LPC) 1 x SIM 1 x microSD (available upon request)
<b>ETHERNET</b>	<b>Controller</b>	2 x Intel® I210AT PCIe (10/100/1000Mbps)
<b>LED</b>	<b>Indicators</b>	1 x Status LED 1 x HDD LED
<b>FRONT I/O</b>	<b>Serial</b>	2 x RS-232/422/485 (DB-9) (one supports 8-bit DIO or CAN-Bus)
	<b>USB</b>	1 x USB 3.0 (type A)
	<b>Display</b>	1 x HDMI
	<b>Buttons</b>	1 x Power Button 1 x Reset Button
	<b>Wi-Fi Antennas</b>	2 x Wi-Fi Module Antenna Hole
<b>REAR I/O</b>	<b>Ethernet</b>	2 x GbE (RJ-45)
	<b>Serial</b>	1 x RS-232/422/485 (DB-9)
	<b>USB</b>	4 x USB 2.0 (type A)
	<b>Display</b>	1 x VGA
	<b>Audio</b>	1 x Line-out (available upon request)
	<b>Wi-Fi Antennas</b>	1 x Wi-Fi Module Antenna Hole
<b>WATCHDOG TIMER</b>	<b>Output &amp; Interval</b>	System Reset, Programmable via Software from 1 to 255 Seconds
<b>POWER</b>	<b>Type</b>	Wide Range 9~36V In-Vehicle Power Management Includes Ignition On/Off and System On/Off Delay Time Control
	<b>Connector</b>	3-pin Terminal Block (VCC/ACC/GND)
<b>OS SUPPORT</b>		Windows 7, WES 7, Windows 8, WES 8, Windows 8.1 Linux (Distribution available upon request) Note: Windows 10 will be available upon request. Please contact DFI for more information.
<b>MECHANISM</b>	<b>Construction</b>	Aluminum + Metal Aluminum
	<b>Mounting</b>	Wall/VESA/DIN Rail Mount (available upon request)
	<b>Dimensions (W x H x D)</b>	180mm x 33mm x 121.2mm (W x H x D)
<b>ENVIRONMENT</b>	<b>Weight</b>	800g
	<b>Operating Temperature</b>	-20 to 60°C
	<b>Storage Temperature</b>	-40 to 85°C
<b>STANDARDS AND CERTIFICATIONS</b>	<b>Shock</b>	Half Sine Wave 15G, 11ms, 3 Shock Per Axis
	<b>Vibration</b>	MIL-STD 810G 514.6C-2
	<b>Certifications</b>	Compliant by ISO 7637-2

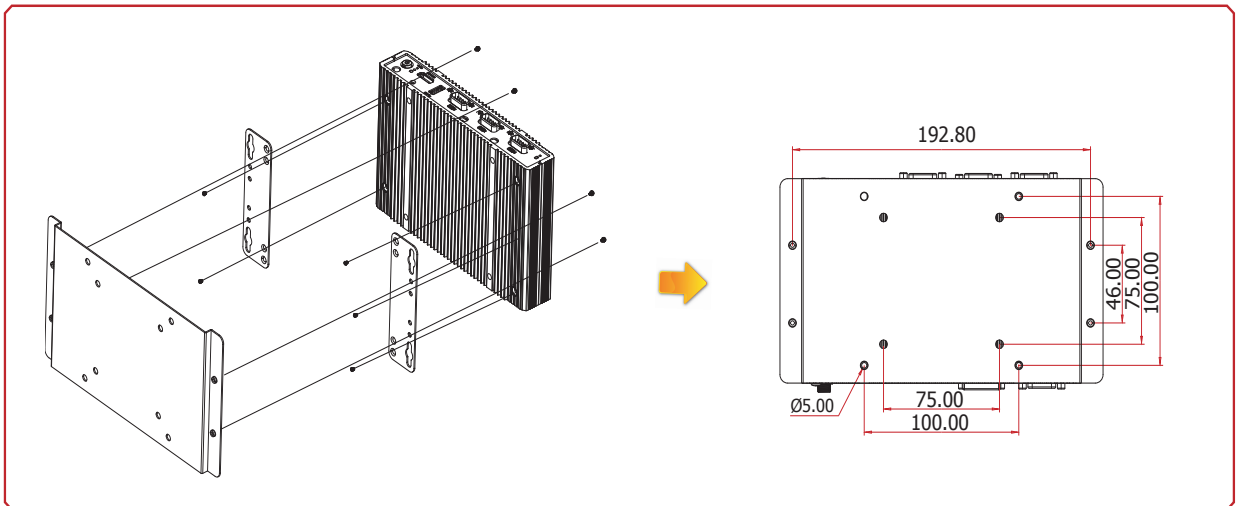


**VC230-BT**

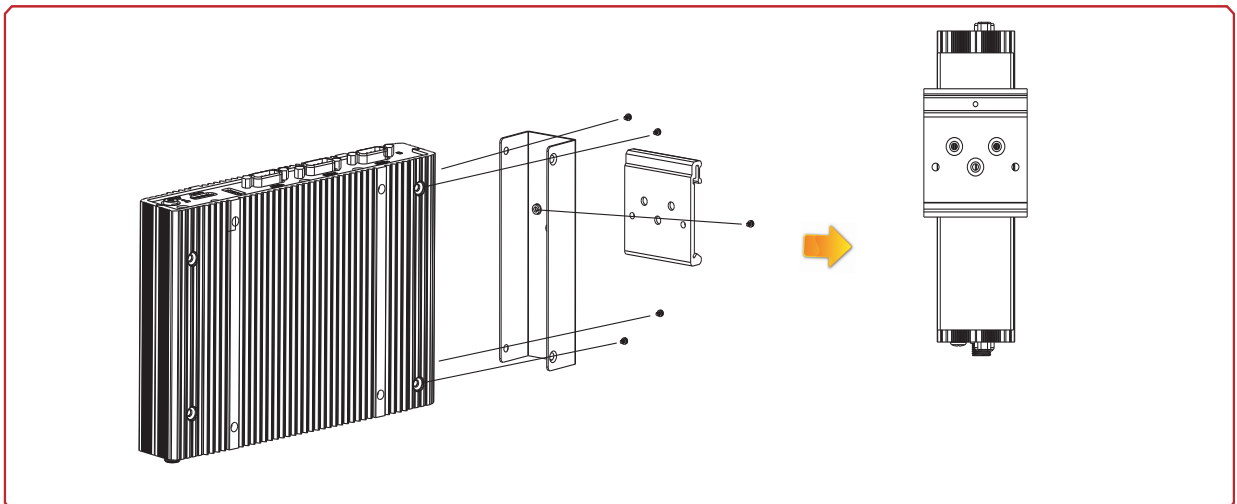
► **Wall Mounting**



► **VESA Mounting**



► **DIN Rail Mounting**





**Ordering Information**

Model Name	Part Number	Description
<b>VC230-BT3051-252</b>	750-EC7000-E00G	Fanless, Intel Atom E3825, 2 LAN, 1 HDMI, 1 VGA, 3 COM, 5 USB, 2GB DDR3L memory down, RoHS
<b>VC230-BT3051-454</b>	750-EC7000-F00G	Fanless, Intel Atom E3845, 2 LAN, 1 HDMI, 1 VGA, 3 COM, 5 USB, 4GB DDR3L memory down, RoHS

**Optional Items**

Optional Items	Part Number	Description
<b>mSATA</b>	785-MS64GMF	mSATA Card, 64GB MLC, RoHS
	785-MS32GMF	mSATA Card, 32GB MLC, RoHS
	785-MS16GMF	mSATA Card, 16GB MLC, RoHS
	785-MS08GMF	mSATA Card, 8GB MLC, RoHS
<b>Wi-Fi</b>	761-110091-000G	Wi-Fi kit, RoHS
<b>Power Cord</b>	785-PWRD	Power cord, Standards (USA/EUR/CH), 1.8m, RoHS
<b>Power Adapter</b>	671-106002-102G	60W, 12V/5A
	671-106009-000G	60W, 19V/3.15A
<b>Wall Mount</b>	761-EC7000-000G	VC230-BT Wall Mount Kit, RoHS
<b>VESA Mount</b>	761-EC7000-100G	VC230-BT VESA Mount Kit, RoHS

785-XXX is a group number instead of a unique part number. Please contact your regional sales representative if you need more information.

**Packing List**

• 1 VC230-BT system unit
• 6 mounting screws for Mini PCIe module
• 1 3-pole female terminal block
• 1 Quick Installation Guide
• 1 CD disk includes:
- Drivers / Manual

## Assured Systems

Assured Systems is a leading technology company with over 1,500 regular clients in 80 countries, deploying over 85,000 systems to a diverse customer base in 12 years of business. We offer high-quality and innovative rugged computing, display, networking and data collection solutions to the embedded, industrial, and digital-out-of-home market sectors.

### US

[sales@assured-systems.com](mailto:sales@assured-systems.com)

Sales: +1 347 719 4508  
Support: +1 347 719 4508

1309 Coffeen Ave  
Ste 1200  
Sheridan  
WY 82801  
USA

### EMEA

[sales@assured-systems.com](mailto:sales@assured-systems.com)

Sales: +44 (0)1785 879 050  
Support: +44 (0)1785 879 050

Unit A5 Douglas Park  
Stone Business Park  
Stone  
ST15 0YJ  
United Kingdom

VAT Number: 120 9546 28  
Business Registration Number: 07699660