

VMD 2000

8" SVGA Vehicle Mount Display
with Touch Screen and LVDS Interface



Main Features

- 8" SVGA TFT LCD monitor
- Automatic/Manual brightness control
- Remote system power control
- On screen control buttons
- Support USB 2.0 and card reader
- Sunlight readable solution with 800cd/m² high brightness support
- Front panel compliant with IP54

Product Overview

VMD 2000 is an 8-inch TFT LCD monitor with 4 wire resistant touch screen sensor. With the high brightness display and automatically brightness control, it is designed for in-vehicle applications. It also provides USB and card reader features. Those friendly interfaces benefit the technicians during maintenances. Its front panel is compliant to IP54 to meet with industrial applications. VMD 2000 can perfectly match with any VTC series devices via the 26-pin LVDS cable.

Specifications

General

- Enclosure: Plastic PC + ABS
- Mounting: Support VESA 75, panel and wall mounting
- Power Input: 12VDC
- Power Consumption: 15W
- Ingress Protection: Front panel IP54
- Dimension: 207mm (W) x 173mm (H) x 36.7mm (D)
(8.15" x 6.81" x 1.44")
- Weight (Net): 0.7Kg, 1.54Lb

LCD Panel

- 8-inch TFT LCD panel with LED backlight
- 800 x 600 pixels (SVGA)
- Brightness: 400 cd/m² (typical)
- Optional high brightness for sunlight-readable with 800cd/m²
After touch screen is 640cd/m²
- Contrast ratio: 500: 1 (typical)

Touch Screen Sensor

- 4-wire resistant touch
- Anti-glare coating surface
- Transmission rate: 82 ± 3%

I/O Interface-Front

- On screen display buttons x 5
 - Power on/off
 - Brightness control (+/-)
 - Volume control (+/-)
- Light sensor

- 2 x LED indicators
- 2 x Built-in speakers (1.2W)

I/O Interface-Lateral

- 1 x SD/MMC/MS card reader
- 1 x USB type A for storage
- 1 x Line-out (automatic detection/switch to external speaker)
- 1 x Mic-in

I/O Interface-Bottom

- Remote System Power On/Off Button
- 1 x Mic-out
- 1 x Line-in
- 1 x LVDS Connector (integrating LVDS, USB x 1 and 12VDC x 1)

Optional Features

- Sunlight-Readable Display with High Brightness LCD (800 cd/m²)
- Support Panel and wall mount kit

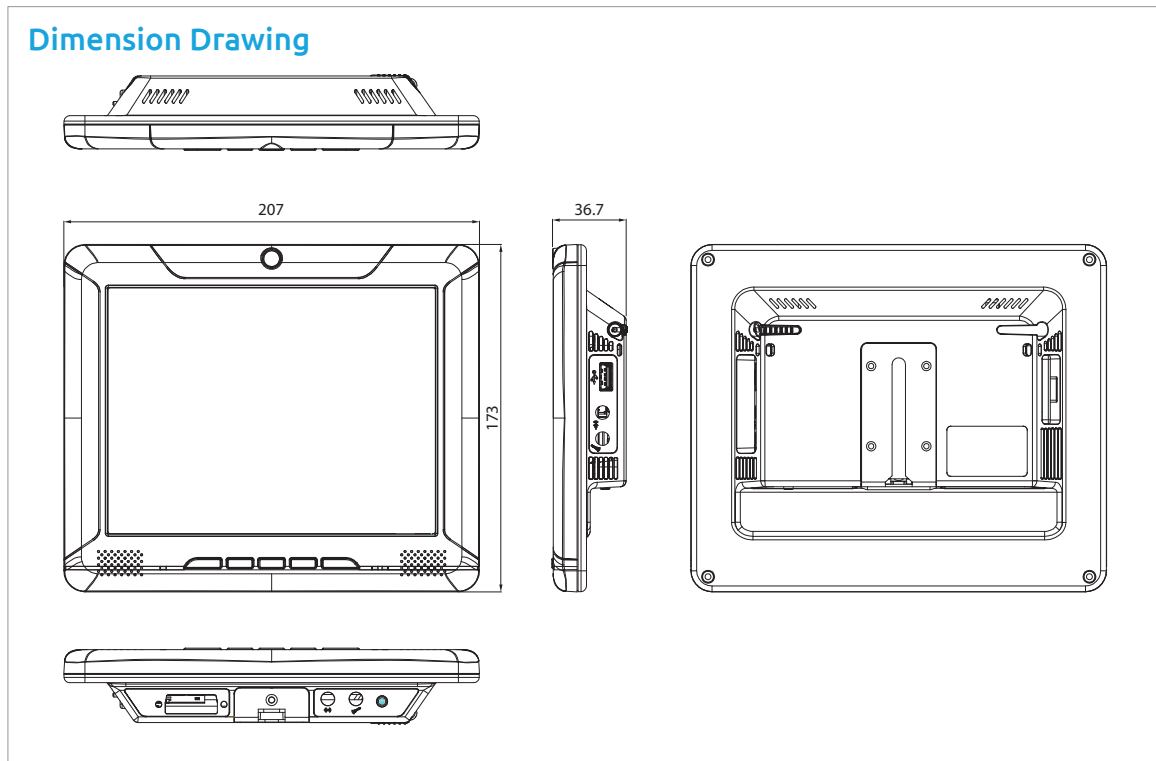
Environment

- Operating temperature: -20°C to 60°C
- Storage temperature: -30°C to 70°C
- Vibration (random): 2.5g@5 ~ 500 Hz
- Vibration
 - Operating: MIL-STD-810G, 514.6 Procedure 1, Category 4, Ground Vehicle – Highway Truck
 - Storage: MIL-STD-810G, 514.6 Procedure 1, Category 4, Integrity Test
- Shock
 - Operating: MIL-STD-810G, Method 516.6, Procedure I, Trucks and

www.nexcom.com



Dimension Drawing



semi-trailers=20g
Crash hazard: MIL-STD-810G, Method 516.6, Procedure V, Ground
equipment=75g

Standards/Certifications

- CE approval
- FCC Class B

Ordering Information

- ♦ **VMD 2000 (P/N: 10VD020000X0)**
8" SVGA vehicle mount display with touch screen and LVDS interface
- ♦ **VMD 2000-BS (P/N: 10VD0200001X0)**
8" SVGA vehicle mount display with touch screen, LVDS and sunlight readable
- ♦ **Bundle Accessories**
LVDS cable (1.5M)
Audio cable
Cable fastener
Driver CD

Assured Systems

Assured Systems is a leading technology company with over 1,500 regular clients in 80 countries, deploying over 85,000 systems to a diverse customer base in 12 years of business. We offer high-quality and innovative rugged computing, display, networking and data collection solutions to the embedded, industrial, and digital-out-of-home market sectors.

US

sales@assured-systems.com

Sales: +1 347 719 4508
Support: +1 347 719 4508

1309 Coffeen Ave
Ste 1200
Sheridan
WY 82801
USA

EMEA

sales@assured-systems.com

Sales: +44 (0)1785 879 050
Support: +44 (0)1785 879 050

Unit A5 Douglas Park
Stone Business Park
Stone
ST15 0YJ
United Kingdom

VAT Number: 120 9546 28
Business Registration Number: 07699660