

# NIFE 101

Intel® Atom™ E3826 Dual Core Factory Automation Fanless System



- Onboard Intel® Atom™ processor E3826 Dual Core 1.46GHz
- 1 x DVI display output or 1x VGA converted from DVI-I
- 2 x Intel® I210IT GbE LAN ports support WoL, teaming and PXE
- 1 x USB 2.0 & 1 x USB 3.0
- 2 x RS232/422/485 with 2.5KV isolation protection

- 1 x mini-PCIe socket for optional Wi-Fi/3.5G/4G LTE
- Front access CFast socket and RTC battery
- Support -20~70 °C extended operating temperature
- Typical 24V DC input with ±20% range

## Product Overview

Powered by the latest generation of Intel® Atom™ processor E3826 (formerly codenamed "Bay Trail-I"), NIFE101 presents intelligent PC-based controller and Modbus RTU/TCP gateway for factory automation. NIFE101 support ACP ThinManager that offers management solutions for the modern factory by simplifying management and also support Indusoft for HMI and SCADA. Up to 4G DDR3L memory, NIFE101 have several options on storage devices like CFast and SSD. The NIFE 101 support extended operating temperature from -20 upto 70 degree C with typical DC input 24V ±20% range. The NIFE 101 has high integration ability with optional mini-PCIe module and 2 x COM ports with Isolation 2.5kv protect, which makes it a reliable connection with devices in IOT applications (with optional GbE LAN, Wi-Fi, 3.5G/4G LTE module). NIFE 101 is definitely the top choice for IOT/M2M intelligent system.

## Specifications

### CPU Support

- Onboard Intel® Atom™ processor E3826 Dual Core 1.46GHz
- Support Intel® Atom™ E3800 processor family from single core E3815, Dual Core E3825/E3826/E3827 and Quad Core E3845 with difference SKUs

### Main Memory

- 1 x DDR3L SO-DIMM socket, support DDR3L 1066/1333 4GB RAM max., un-buffered and non-ECC

### Display Option

- 1 x DVI display output
- 1 x VGA display output (converted from DVI-I to VGA adapter)

### I/O Interface-Front

- ATX power on/off switch
- LEDs for power status, HDD access, battery Low, 2 x programing LEDs, 4x Tx/Rx LEDs
- 1 x External CFast socket
- 1 x SIM card holder
- 2 x Intel® I210IT GbE LAN ports, support WoL, teaming and PXE
- 1 x DVI-I display output
- 1 x USB 3.0 (900mA per each)
- 1 x USB 2.0 (500mA per each)
- 2 x RS232/422/485 with 2.5KV isolation protection, support auto flow control

- Jumper-free setting on RS232/422/485
- Support RI function on COM2
- 1 x 2-pin remote power on/off switch
- 1 x 3-pic DC input, Typical 24V DC input with ±20% range

### Storage Device

- 1 x CFast (SATA 2.0)
- 1 x 2.5" SSD (SATA 2.0)

### Expansion Slot

- 1 x mini-PCIe socket for optional Wi-Fi/3.5G/4G LTE

### Power Requirement

- Typical 24V DC input with ±20% range
- 1 x optional 24V, 60W power adapter

### Dimensions

- 58mm (W) x 135.5mm (D) x 192.5mm (H)

### Construction

- Aluminum and metal chassis with fanless design

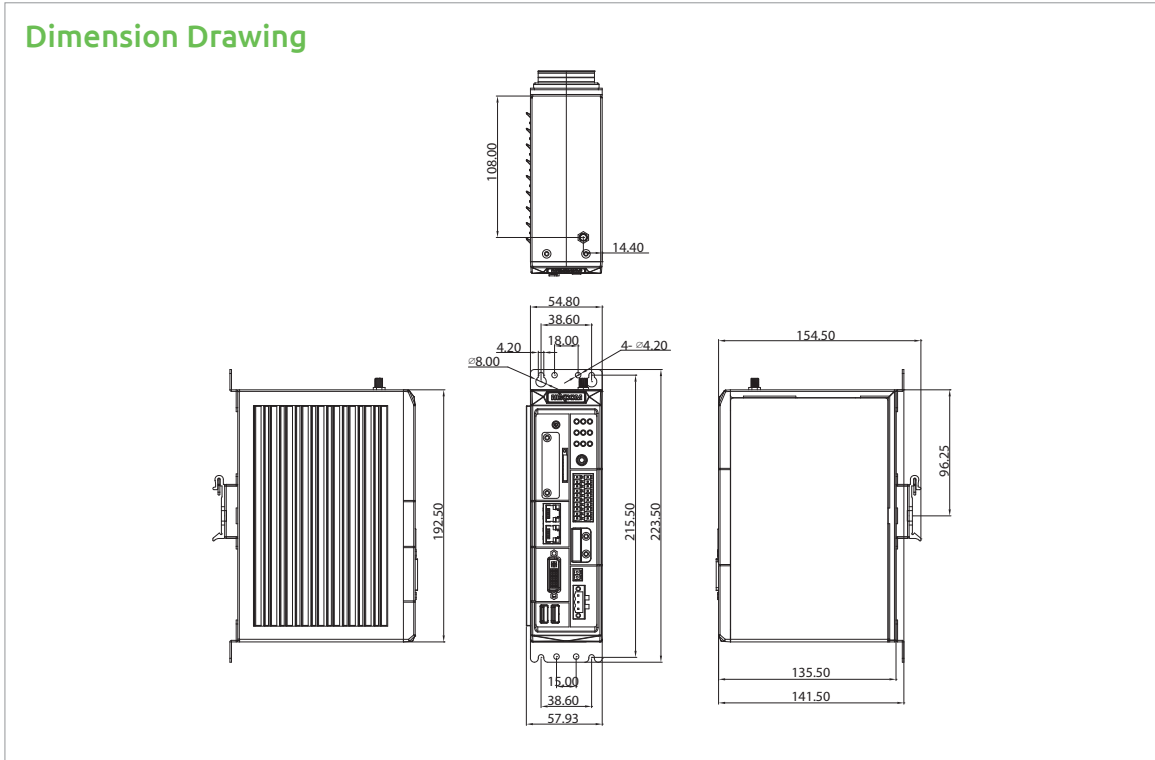
### Environment

- Operating temperature:
  - Ambient with air flow: -20°C to 70°C with industrial grade device (according to IEC60068-2-1, IEC60068-2-2, IEC60068-2-14)
- Storage temperature: -30°C to 85°C

www.nexcom.com



**Dimension Drawing**



- Relative humidity: 10% to 95% (non-condensing)
- Shock protection:
  - SSD: 20G, half sine, 11ms, IEC60068-2-27
  - CFast: 50G, half sine, 11ms, IEC60068-2-27
- Vibration protection w/ CFast & SSD condition:
  - Random: 2Grms @ 5~500Hz, IEC60068-2-64
  - Sinusoidal: 2Grms @ 5~500Hz, IEC60068-2-6

**Certifications**

- CE
- FCC Class A

**Support OS**

- Windows 8, 32-bit/64-bit
- Windows Embedded Standard 8, 32-bit/64-bit
- Windows 7, 32-bit/64-bit
- Windows Embedded Standard 7, 32-bit/64-bit
- Linux Kernel version 3.8.0
- Wind River® intelligent device platform XT 2.0

**Ordering Information**

- ♦ **NIFE 101 (P/N: 10J70010100X0)**  
Intel® Atom™ processor E3826 Dual Core fanless system
- ♦ **24V, 60W AC/DC power adapter w/o power cord (P/N: 7400060033X00)**

**Optional Wi-Fi/GSM module**

|               |   |  |
|---------------|---|--|
| 88J70010100X0 | NIFE101 3.5G module kit<br>SIERRA: MC8705         | -  |
| 88J70010101X0 | NIFE101 Wi-Fi module kit<br>INTEL: 7260.HMWWB.R   | Dual Band Wireless-AC<br>7260, 2x2 AC+BT,HMC |
| 88J70010102X0 | NIFE101 Wi-Fi module kit<br>INTEL: 7260.HMWBWNB.R | WLAN + Bluetooth<br>COMBO MODULE             |

**Optional Din Rail Kit**

|               |                                 |            |
|---------------|---------------------------------|------------|
| 88J70010000X0 | NIFE100/101 series DIN Rail kit | @Shock 20G |
|---------------|---------------------------------|------------|

## Assured Systems

Assured Systems is a leading technology company with over 1,500 regular clients in 80 countries, deploying over 85,000 systems to a diverse customer base in 12 years of business. We offer high-quality and innovative rugged computing, display, networking and data collection solutions to the embedded, industrial, and digital-out-of-home market sectors.

### US

[sales@assured-systems.com](mailto:sales@assured-systems.com)

Sales: +1 347 719 4508  
Support: +1 347 719 4508

1309 Coffeen Ave  
Ste 1200  
Sheridan  
WY 82801  
USA

### EMEA

[sales@assured-systems.com](mailto:sales@assured-systems.com)

Sales: +44 (0)1785 879 050  
Support: +44 (0)1785 879 050

Unit A5 Douglas Park  
Stone Business Park  
Stone  
ST15 0YJ  
United Kingdom

VAT Number: 120 9546 28  
Business Registration Number: 07699660