



**Intel® Atom™ E3800 Series
10.1" In-vehicle Touch Panel PC**

VP101-BT

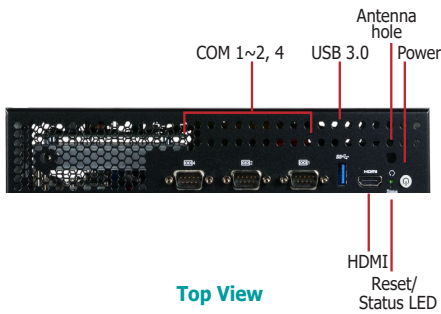


Features

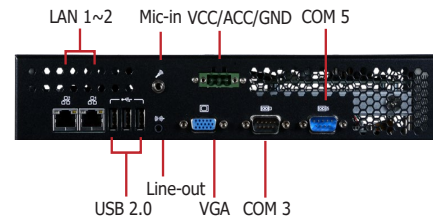
- 10.1" 1280x800 TFT LCD Panel with Touch Screen
- Supports Ignition Control and Delay On/Off Function
- IP65 Front Panel Protection
- VESA/Panel Mount
- Rich I/O: 2 LAN, 5 COM, 1 USB 3.0, 3 USB 2.0



Panel

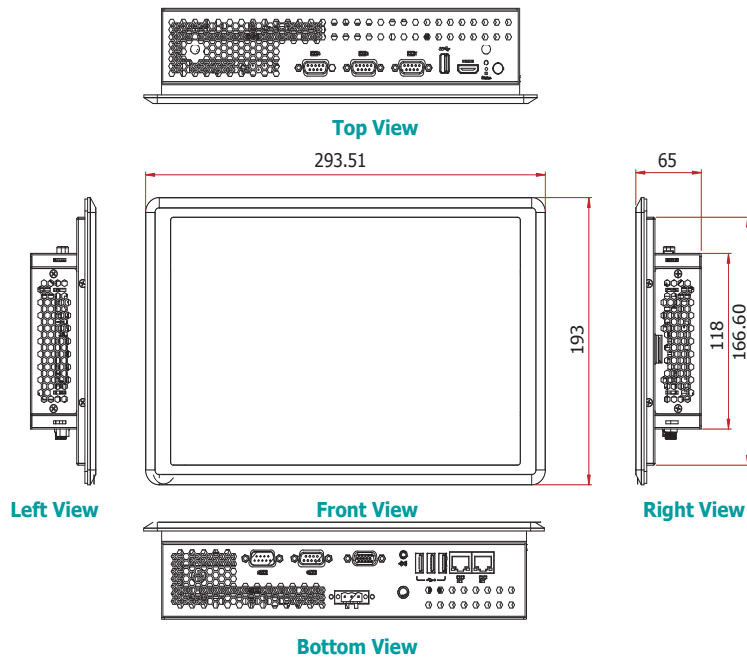


Top View



Bottom View

Dimensions





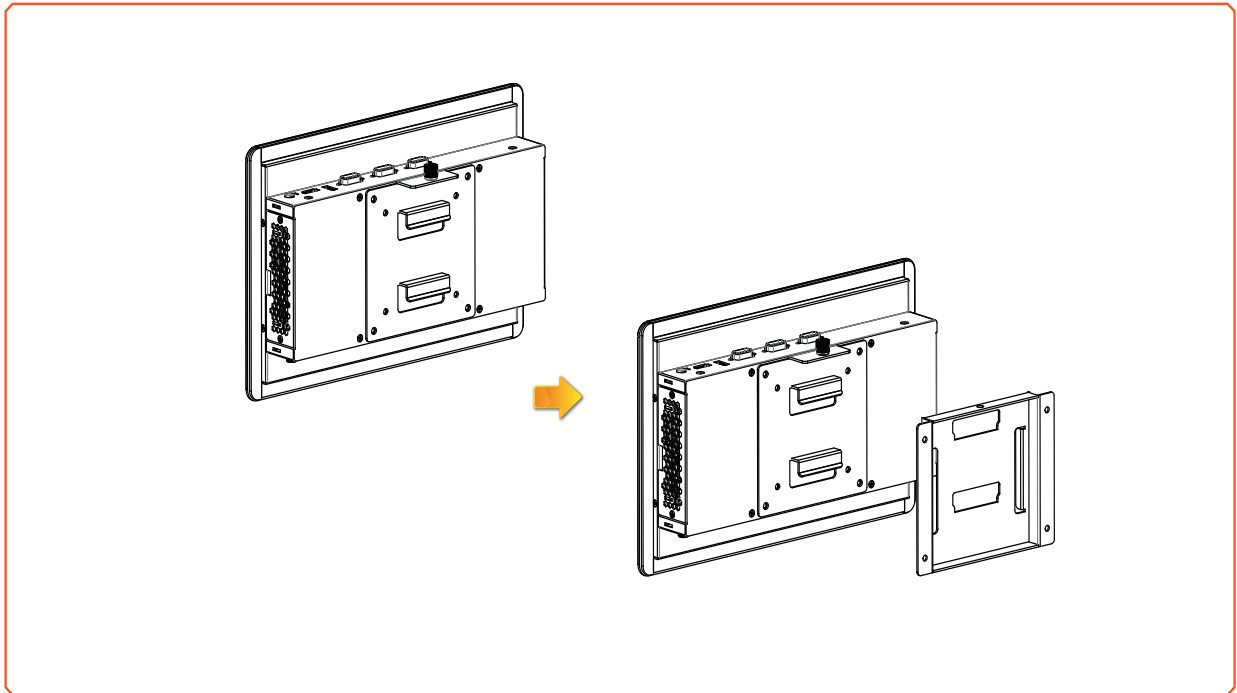
Specifications

| | | |
|-------------------------------------|-------------------------------|--|
| SYSTEM | Processor | Intel® Atom™ Processor E3800 Series, BGA 1170 Intel® Atom™ Processor E3845, Quad Core, 2M Cache, 1.91GHz, 10W Intel® Atom™ Processor E3825, Quad Core, 1M Cache, 1.33GHz, 6W |
| | Memory | 2GB/4GB ECC Memory Down Single Channel DDR3L 1333MHz |
| | BIOS | AMI SPI 64Mbit |
| DISPLAY AND TOUCH SCREEN | Display | 10.1" 1280x800 TFT LCD Panel with Capacitive Touch Screen |
| | Brightness | 500 cd/m ² |
| | Contrast | 800:1 |
| | Backlight Lifetime | 50,000 hours |
| GRAPHICS | Controller | Intel® HD Graphics |
| | Feature | DirectX 11, OCL 1.2, OGL 4.0 H.264, MPEG2, MVC, VC-1, WMV9, VP8 (supported version dependent on OS) |
| | Display | 1 x HDMI HDMI: resolution up to 1920x1080 @ 60Hz 1 x VGA |
| STORAGE | | 1 x 2.5" SATA 2.0 Drive Bay 1 x micro SD (available upon request) Onboard eMMC (available upon request) |
| EXPANSION | Interface | 1 x Full-size Mini PCIe (PCIe/USB) 1 x Full-size Mini PCIe (mSATA) 1 x Half-size Mini PCIe (PCIe/USB/LPC) 1 x SIM Socket |
| AUDIO | Audio Codec | Realtek ALC886 5.1-channel |
| ETHERNET | Controller | 2 x Intel® I210AT PCIe (10/100/1000Mbps) |
| LED | Indicators | 1 x Power LED 1 x HDD LED |
| TOP I/O | Serial | 3 x RS-232/422/485 (DB-9) (one supports 8-bit DIO) |
| | USB | 1 x USB 3.0 (type A) |
| | Display | 1 x HDMI |
| | Buttons | 1 x Power Button 1 x Reset Button |
| | Antenna | 2 x Antenna Hole |
| BOTTOM I/O | Ethernet | 2 x GbE (RJ-45) (10/100/1000Mbps) |
| | Serial | 1 x RS-232/422/485 (DB-9) 1 x RS-232 (DB-9) |
| | USB | 3 x USB 2.0 (type A) |
| | Audio | 1 x Line-out 1 x Mic-in |
| | WATCHDOG TIMER | Output & Interval |
| POWER | Type | Wide Range 9~36V In-Vehicle Power Management Includes Ignition On/Off and System On/Off Delay Time Control |
| | Connector | 3-pin Terminal Block (VCC/ACC/GND) |
| OS SUPPORT | | Windows 7 (32bit/64bit) Ubuntu 16.04 (64-bit) Windows 10 IoT Enterprise (32bit/64bit) |
| MECHANISM | Construction | Aluminum Front Bezel |
| | IP Rating | IP65 Front Panel Protection |
| | Mounting | Panel/VESA Mount |
| | Dimensions (W x H x D) | 294mm x 193mm x 65mm |
| | Weight | 1.7 Kg |
| ENVIRONMENT | Operating Temperature | -20 to 60°C |
| | Storage Temperature | -30 to 80°C |
| | Relative Humidity | 5 to 85% RH (non-condensing) |
| STANDARDS AND CERTIFICATIONS | Shock | OP: Half-sine, 3G @ 11ms Non-OP: Half-sine, 5G @ 11ms |
| | Vibration | OP: Random, 1Grms @ 5~500Hz, 30min Non-OP: Sweep sine, 3Grms @ 10~500Hz, 30min |
| | Certifications | CE, FCC Class A, E-Mark (E13) |

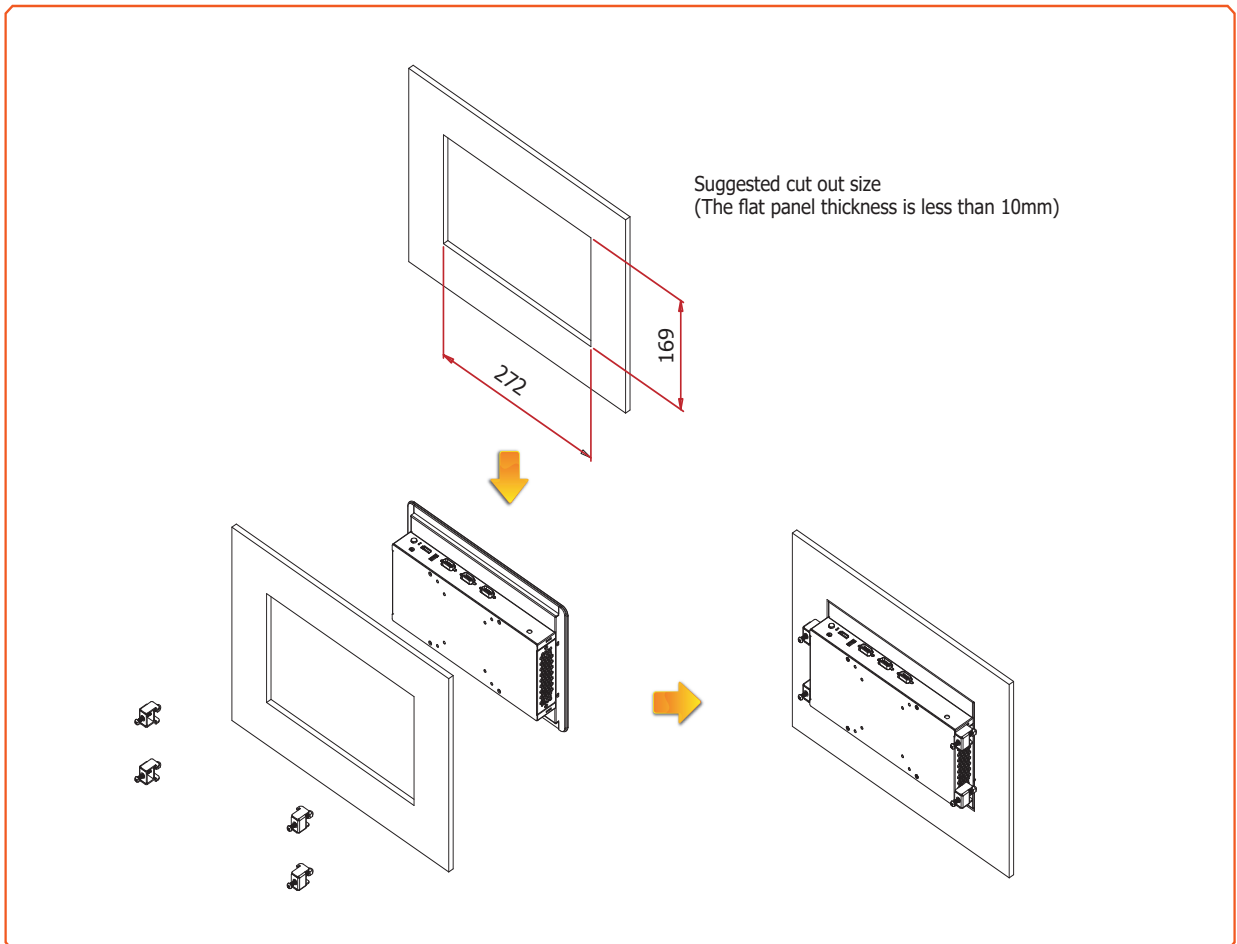


VP101-BT

▶ **Wall Mounting**



▶ **Panel Mounting**





Ordering Information

| Model Name | Part Number | Description |
|---------------------|-----------------|---|
| VP101-BT-454 | 750-VP1010-000G | 10.1" Panel PC, BT253, Intel® Atom™ E3845, 4G RAM, 9~36V DC input |
| VP101-BT-252 | 750-VP1010-100G | 10.1" Panel PC, BT253, Intel® Atom™ E3825, 2G RAM, 9~36V DC input |

Optional Items

| Optional Items | Part Number | Description |
|----------------------|-----------------|---|
| HDD | 785-H25500G | 2.5" SATA HDD, 500GB, RoHS |
| | 785-H25320G | 2.5" SATA HDD, 320GB, RoHS |
| | 785-S251TBG | 2.5" SATA SSD, 1TB MLC, RoHS |
| | 785-S25512G | 2.5" SATA SSD, 512GB MLC, RoHS |
| | 785-S25256G | 2.5" SATA SSD, 256GB MLC, RoHS |
| | 785-S25128G | 2.5" SATA SSD, 128GB MLC, RoHS |
| | 785-S25064G | 2.5" SATA SSD, 64GB MLC, RoHS |
| | 785-S25032G | 2.5" SATA SSD, 32GB MLC, RoHS |
| mSATA | 785-MS128GMF | mSATA Card, 128GB MLC, RoHS |
| | 785-MS64GMF | mSATA Card, 64GB MLC, RoHS |
| | 785-MS32GMF | mSATA Card, 32GB MLC, RoHS |
| | 785-MS16GMF | mSATA Card, 16GB MLC, RoHS |
| | 785-MS08GMF | mSATA Card, 8GB MLC, RoHS |
| | 785-MS04GMF | mSATA Card, 4GB MLC, RoHS |
| CAN BUS | 770-MPEC21-000G | MPE-CAN2-MR, Mini-PCIe RAW CAN Module Card F/G, RoHS |
| | 770-MPEC21-100G | MPE-CAN2-MF, Mini-PCIe Full CAN Module Card F/G, RoHS |
| Wi-Fi | 761-110091-000G | Wi-Fi kit, RoHS |
| Power Cord | 785-PWRD | Power cord, Standards (USA/EUR/CH), 1.8m, RoHS |
| Power Adapter | 671-110003-100G | 120W, 19V/6.3A, Level 6, RoHS |
| Wall Mount | 761-TPC000-000G | Accessory Wall Mount Kits TPC Series/KS2xx, RoHS |
| Panel Mount | 761-VS1010-000G | Accessory Panel Mount Kit VIS101, RoHS |

785-XXX is a group number instead of a unique part number. Please contact your regional sales representative if you need more information.

Packing List

| |
|---------------------------------|
| • 1 VP101-BT Touch Panel PC |
| • 1 Poron foam |
| • 1 Chassis Panel Mount Bracket |
| • 1 Quick Installation Guide |
| • 1 CD disk includes: |
| - Manual |

Assured Systems

Assured Systems is a leading technology company with over 1,500 regular clients in 80 countries, deploying over 85,000 systems to a diverse customer base in 12 years of business. We offer high-quality and innovative rugged computing, display, networking and data collection solutions to the embedded, industrial, and digital-out-of-home market sectors.

US

sales@assured-systems.com

Sales: +1 347 719 4508
Support: +1 347 719 4508

1309 Coffeen Ave
Ste 1200
Sheridan
WY 82801
USA

EMEA

sales@assured-systems.com

Sales: +44 (0)1785 879 050
Support: +44 (0)1785 879 050

Unit A5 Douglas Park
Stone Business Park
Stone
ST15 0YJ
United Kingdom

VAT Number: 120 9546 28
Business Registration Number: 07699660