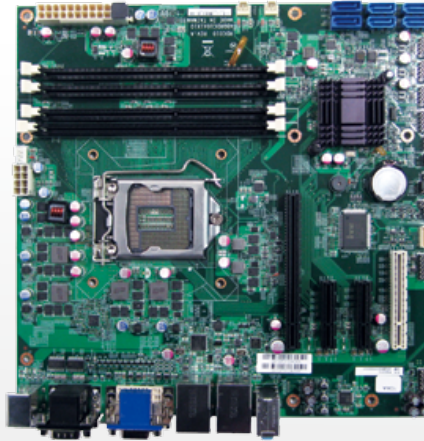


NEX 880

Micro ATX, support 2nd Generation Intel® Core™ Desktop processors
with Dual Display/ 1x PCIe x8/ 1 x PCIe x4/ 2x PCIe x1/ 2x GbE



Main Features

- Support 2nd generation Intel® Core™ desktop processors
- 4x DDR3 DIMM Socket up to 32 GB
- VGA + DVI dual displays
- 2x Intel® Gigabit Ethernet
- Support Intel® AMT 7.0
- 1x PCIe x16(with PCIe x8 signals), 1x PCIe x8(with PCIe x1 signals), 1x PCIe x4(with PCIe x4 signals) slot, 1x PCIe x4 (with PCIe x1 signals) slot
- Support SATA 3.0, 2x RS232

Product Overview

NEX 880 is an industrial motherboard with Micro ATX form factor, which Support 2nd generation Intel® Core™ Desktop processors with Hyper-Threading technology.

The 2nd generation Intel® Core™ Desktop processors support dual channel non-ECC DDR3 1066/1333 MHz memory in four DIMM slots and integrated HD graphics controller. The Q77 PCH manages SATA 3.0 ports and USB 2.0 ports. Furthermore, it supports other versatile I/O ports such as two serial ports, ten USB ports, and two Intel PCI Express Gigabit LAN ports. It offers a great solution for advanced industrial application that requires superb display and processing performance.

Specifications

CPU Support

- LGA1155, 2nd generation Intel® Core™ Desktop processors

Main Memory

- 4 x 240-pin DIMM, for up to 32GB dual channel non-ECC un-buffered DIMM 1066/ 1333 SDRAM

Chipset

- Intel® Q77 Platform Controller Hub

BIOS

- AMI BIOS
- Plug and play support

On-board LAN

- 1x Intel® 82579LM PHY for AMT 7.0
- 1x Intel® 82583 PCI Express Gigabit Ethernet
- Support boot from LAN (PXE)
- 2x RJ45 with LED

Display

- 2nd generation Intel® Core™ Desktop processors Integrated HD graphics
- 1x VGA
- 1x DVI-D

Expansion

- 1x PCIe x16 (with PCIe x8 signals) slot
- 1x PCIe x8 (with PCIe x1 signals) slot
- 1x PCIe x4 (with PCIe x1 signals) slot
- 1x PCIe x4 (with PCIe x4 signals) slot

Edge I/O Interfaces

- 1x dual stack Mini DIN 6-pin connector for PS/2 KB/MS
- 1x dual stack DB9 male connector for COM1 & COM2
- 1x DVI + DB15 female connector VGA
- 2x RJ45 with dual stack USB connectors
- Line-In/ Line-Out/ MIC phone jack

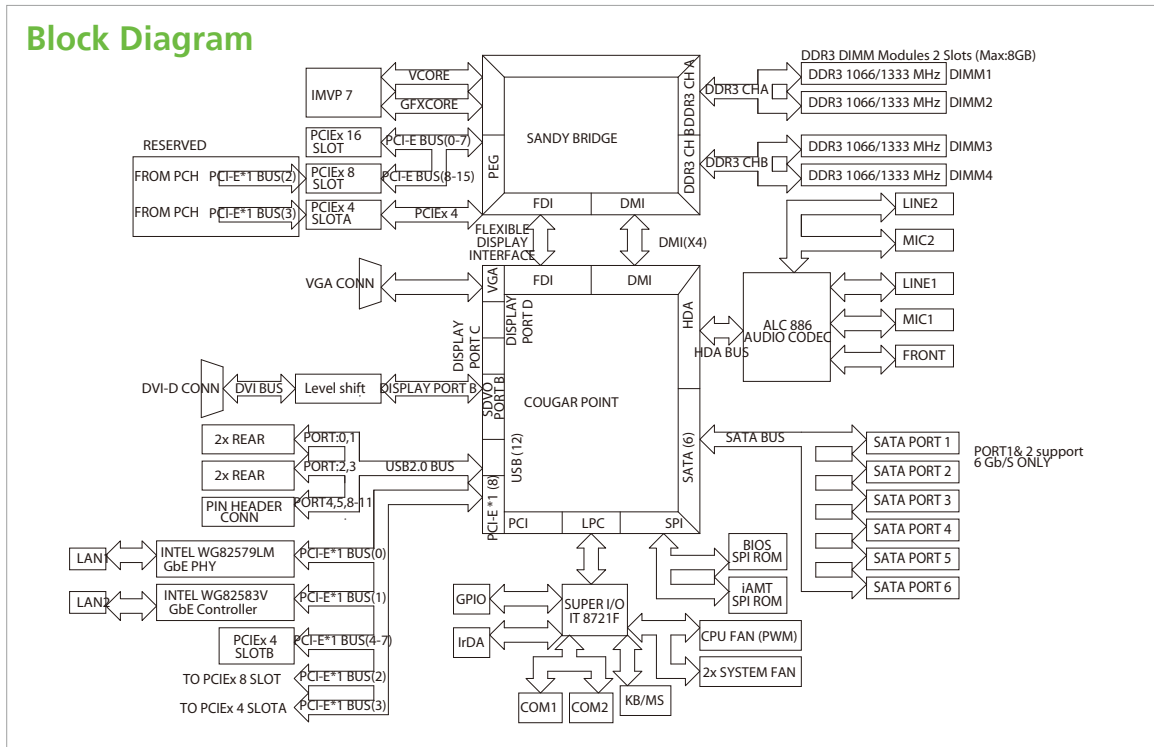
I/O Interface

- USB 2.0: 10 ports
(6 onboard pin header, 4 with type A connector for external)
- Serial port: 2 port, with 2 x 5pin headers (COM 1 and COM 2)
- SATA HDD: 6 ports, port 1, 2 support SATA 3.0, port 3, 4, 5, 6 support SATA 2.0
- Support RAID 0/ 1/ 5/ 10 and Intel® Matrix Storage
- IrDA: on board pin header
- GPIO: Supports 4 sets general purpose I/O each with TTL level (5V) interface
- On-board buzzer x1
- Power LED/ Power On/ Reset/ HDD LED pin header

www.nexcom.com



Block Diagram



- 1x 4-pin fan connector (for CPU); 2x 3-pin fan connectors (for System)
- On-chip RTC with battery backup
- 1x External Li-Ion battery

System Monitor

- 4 voltages (+3.3V, +5V, +12V, Vcore)
- 2 temperatures (For CPU and System)
- 3 fan speed monitors (1 for CPU and 2 for system fan)

Power Input

- Support ATX power supplies
- Standard ATX 24-pin connector for +12V/ +5V/ +3.3V/ +5Vsb/ -12V
- ATX 8-pin connector for +12V

Dimensions

- Micro ATX
- Dimension: 244mm (L) x 244mm (W)

Environment

- Board level operating temperatures: 0°C to 60°C
- Storage temperature: -20°C to 85°C
- Relative humidity: 10% to 90%, (Non-condensing)

Certifications

- CE approval
- FCC Class A

Ordering Information

• NEX 880 (P/N : 10G00088000X0)

Micro ATX, LGA1155, 2nd generation Intel® Core™ Desktop processors, Q77 DDR3 DIMM x4, VGA, DVI-D, 2x GbE, PCIe x8/ PCIe x4/ 2x PCIe x1, 2x RS232

Assured Systems

Assured Systems is a leading technology company with over 1,500 regular clients in 80 countries, deploying over 85,000 systems to a diverse customer base in 12 years of business. We offer high-quality and innovative rugged computing, display, networking and data collection solutions to the embedded, industrial, and digital-out-of-home market sectors.

US

sales@assured-systems.com

Sales: +1 347 719 4508
Support: +1 347 719 4508

1309 Coffeen Ave
Ste 1200
Sheridan
WY 82801
USA

EMEA

sales@assured-systems.com

Sales: +44 (0)1785 879 050
Support: +44 (0)1785 879 050

Unit A5 Douglas Park
Stone Business Park
Stone
ST15 0YJ
United Kingdom

VAT Number: 120 9546 28
Business Registration Number: 07699660