

# L-8017

## 8-ch Isolated Analog Input Module



### Features

- ◆ Protocol MODBUS RTU, ASCII Command
- ◆ Support 8 Channels Isolated Analog Input
- ◆ Support Isolated Input Channels
- ◆ Fully Photo-Isolation 3750Vrms
- ◆ Wide Supply Voltages (10~30V)

### Specifications

#### Interface:

Communication Protocol	RS485 MODBUS RTU and ASCII Command
Baute Rate (bps)	1200, 2400, 4800, 9600, 19.2K, 38.4K, 115.2K
LED Indication	LED for Power and link status
Isolation Voltage	3000VDC

Span Drift	25 ppm/ °C
CMRR	50/60 Hz: 92 dB
Over Voltage Protection	± 60V
Current Measurement	+/-20mA(with external 125 ohm resistor)

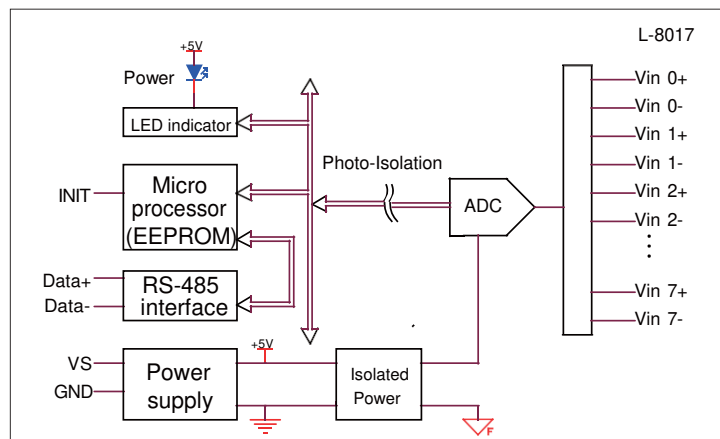
#### Power Requirement :

Consumption	0.8 W/Typical
Power Input	+10 ~ +30 VDC
Humidity	5 ~ 95% RH, non-condensing
Operating Temperature	-25°C ~ 75°C

#### Analog Input:

Effective Resolution	16-bit
Input Channels	8 channel
Input Type	Voltage, Current
Input Range	±10V, ±5V, ±2.5V, ±1V, ±500mV, ±15mV, ±20mA
Isolation Voltage	3000V
Sampling Rate	10 Samples / Second
Input Impedance	20M ohm
Accuracy	±0.05% or better
Zero Drift	±20uV/ °C

### Block Diagram



## Assured Systems

Assured Systems is a leading technology company with over 1,500 regular clients in 80 countries, deploying over 85,000 systems to a diverse customer base in 12 years of business. We offer high-quality and innovative rugged computing, display, networking and data collection solutions to the embedded, industrial, and digital-out-of-home market sectors.

### US

[sales@assured-systems.com](mailto:sales@assured-systems.com)

Sales: +1 347 719 4508  
Support: +1 347 719 4508

1309 Coffeen Ave  
Ste 1200  
Sheridan  
WY 82801  
USA

### EMEA

[sales@assured-systems.com](mailto:sales@assured-systems.com)

Sales: +44 (0)1785 879 050  
Support: +44 (0)1785 879 050

Unit A5 Douglas Park  
Stone Business Park  
Stone  
ST15 0YJ  
United Kingdom

VAT Number: 120 9546 28  
Business Registration Number: 07699660