

antaira[™]**USB-14010-SI USB Isolation Adapter****Features**

- Supports USB 1.1 and 2.0 Devices
- Provides 2,500Vrms Isolation Between USB Host and USB Peripheral
- Supports Data Rates up to 12Mbps
- Fully Transparent, No Software or Device Drivers Required
- Includes Wall Mounting Kit
- Supports Screw-Lock USB Mechanism
- Supports Optional DIN-RAIL Mounting Kit
- Supports Self-powered and Bus-powered Mode
- Built-in Power LED Indicator
- Supports DC Jack for Downstream USB Bus Power

Applications

- Test Equipment
- Industrial Computer and Control Systems
- Data Acquisition
- Embedded Systems Development

Description

The USB-14010-SI is a USB Isolation Adapter that supports Universal Serial Bus (USB) Revisions 1.1 and 2.0 devices.

With its isolation controller, it's backward compatible either when the downstream port is connected to a USB1.1 or USB2.0 compliant device, or when the upstream port is connected to a USB1.1 or USB2.0 compliant host.

The USB-14010-SI also provides a unique feature to work in the bus-powered mode without an external AC power adapter. It's very convenient for light power consumption USB devices to work in this mode without an extra power supply. However, the external DC jack can be used for self-powered mode if more power is needed on the downstream port.

Since USB is the most popular external port for devices to connect to PCs, the USB-14010-SI provides an ideal solution to isolate your USB ports immediately and save your investments.



USB-14010-SI USB Isolation Adapter

Specifications

System

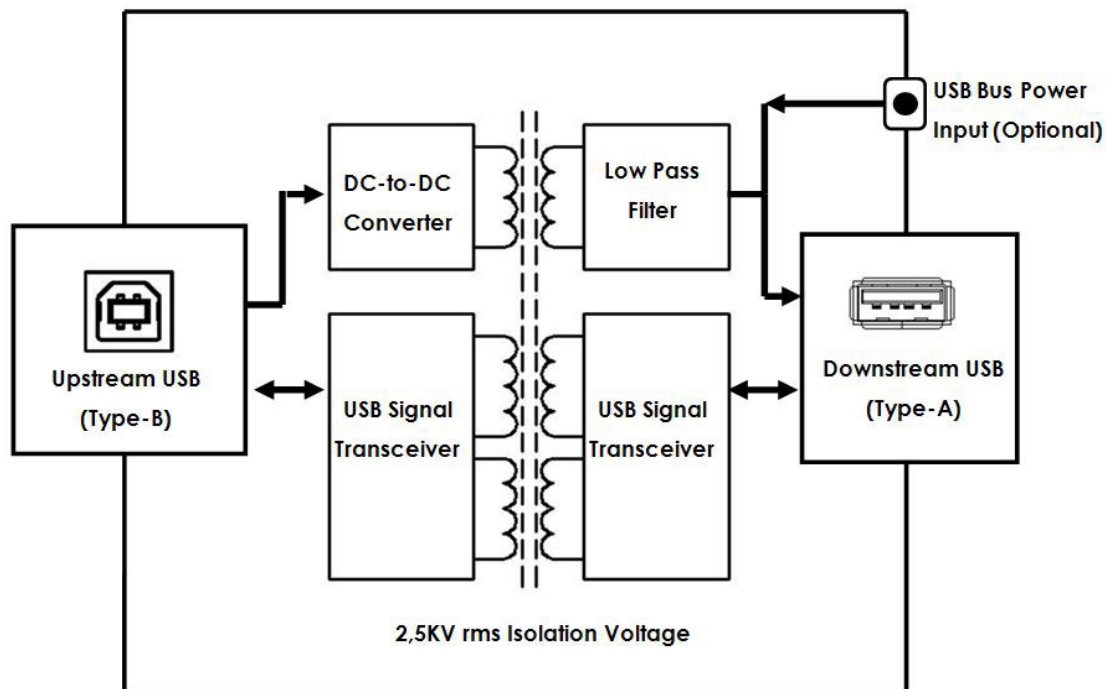
For Systems with USB2.0 or USB1.1 Ports

USB1.1 Port

Provides 1 USB downstream port that supports up to 12Mbps data rate and is forward compatible with USB2.0 host and device ports.

- Compliant with USB Specifications 1.1
- Supports 2,500 Vrms Isolation
- Supports 12Mbps and 1.5Mbps Speed, Selectable by DIP Switch
- Supports Screw-Lock USB Mechanism
- Supports Self-powered and Bus-powered Modes
- Supports DC Jack to Improve Downstream USB Bus Power
- Supports Wall Mounting and DIN RAIL Mounting Kits
- Supports Power LED Indicator

Block Diagram





USB-14010-SI USB Isolation Adapter

USB Devices

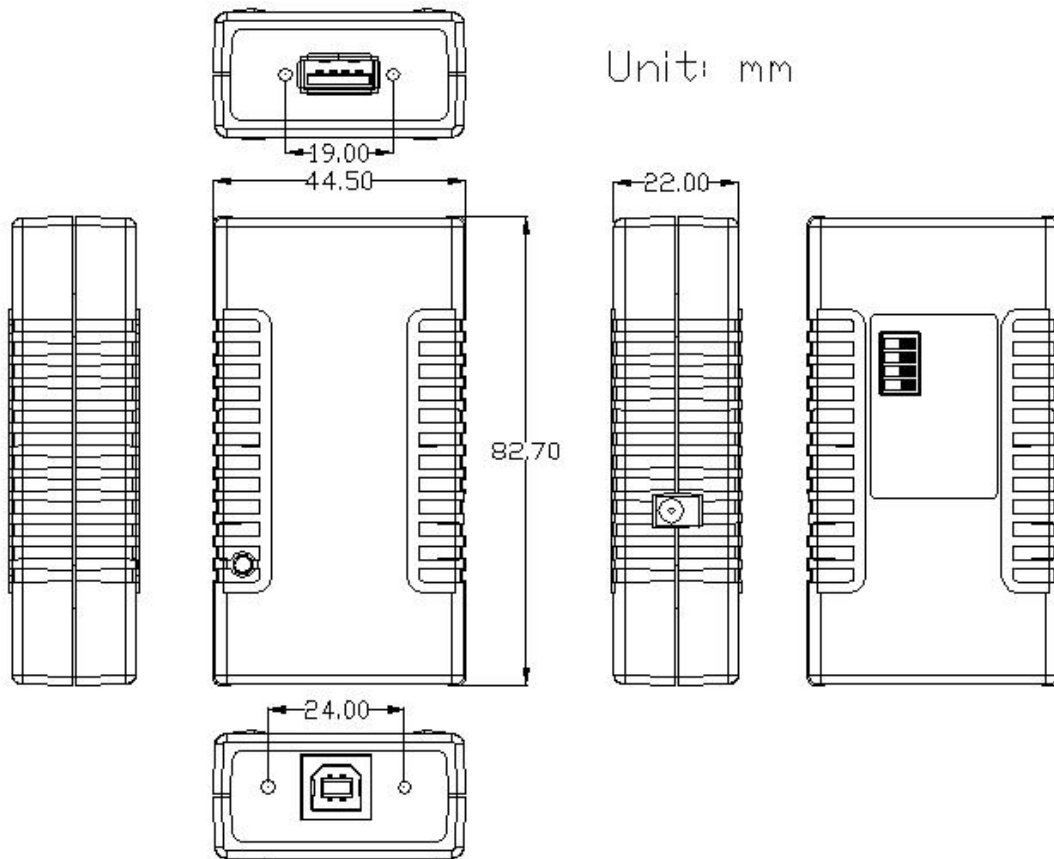
Supports keyboard, mouse, monitor, scanner, printer, PC Camera, telephone, CD-ROM drive, joystick, virtual reality helmet, modem, PBX and much more.

I/O Hardware

- 1 external USB1.1/2.0 Type-A connector and 1 Type-B Upstream connector
- 1 DC Jack for external power input from AC adapter

Form Factor

3.24"(L)x1.74"(W)x0.87"(H) (8.27 x 4.45 x 2.20 cm)



Assured Systems

Assured Systems is a leading technology company with over 1,500 regular clients in 80 countries, deploying over 85,000 systems to a diverse customer base in 12 years of business. We offer high-quality and innovative rugged computing, display, networking and data collection solutions to the embedded, industrial, and digital-out-of-home market sectors.

US

sales@assured-systems.com

Sales: +1 347 719 4508
Support: +1 347 719 4508

1309 Coffeen Ave
Ste 1200
Sheridan
WY 82801
USA

EMEA

sales@assured-systems.com

Sales: +44 (0)1785 879 050
Support: +44 (0)1785 879 050

Unit A5 Douglas Park
Stone Business Park
Stone
ST15 0YJ
United Kingdom

VAT Number: 120 9546 28
Business Registration Number: 07699660