

STM-601C Series

Industrial Modbus TCP (Two Ethernet Ports) to One Serial (232,422,485) RTU/ASCII Gateway



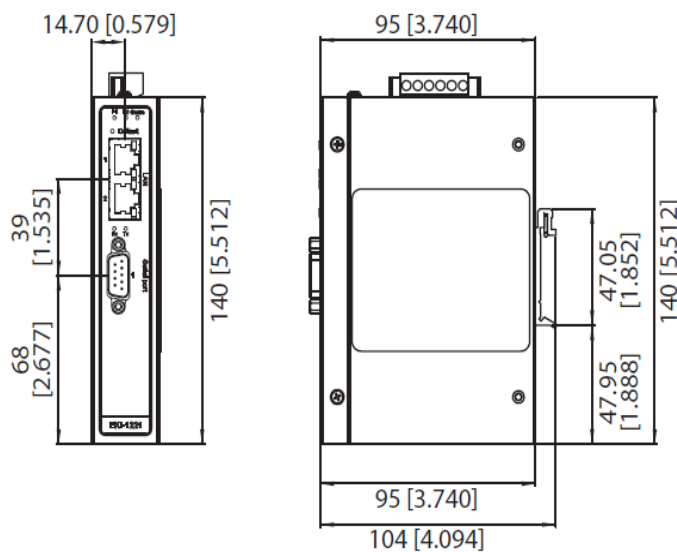
Features

- ▶ 2*10/100 Mbps Ethernet Ports for LAN Redundancy
- ▶ Integrates Modbus TCP and Modbus RTU/ASCII Networks
- ▶ Supports Up to 921.6 kbps and Any Baud Rate Setting
- ▶ Supports Up to 16 Connections per Serial Port Under Modbus Master Mode and 32 Sessions Under Modbus Slave Mode
- ▶ Software-selectable RS-232/422/485 Communication
- ▶ Automatic RS-485 Data Flow Control
- ▶ Redundant Power Input: 12~48VDC
- ▶ Power Polarity Reverse Protection
- ▶ Overload Current Protection
- ▶ DIN-Rail or Wall Mountable
- ▶ Standard and Wide Temperature Models
- ▶ 5-Year Warranty

INTRODUCTION

Antaira Technologies' STM-601C series is an industrial MODBUS gateway that allows legacy MODBUS RTU/ASCII devices to operate on a MODBUS TCP network. It can be configured as either MODBUS serial master or slave to communicate with MODBUS TCP's slave or master. The STM-601C series features two independent Ethernet ports and MAC addresses to provide redundancy and reliability. These devices provide an economical way of connecting MODBUS RTU/ASCII devices to networks accessible anywhere in the world.

DIMENSIONS



SPECIFICATIONS

Ethernet Technology		Power Requirement	
Standards	IEEE 802.3 10Base-T Ethernet IEEE 802.3u 100Base-TX Fast Ethernet	Input Voltage	12 to 48VDC, Redundant Inputs
Processing Type	Store and Forward	Power Connection	Terminal block
Protocol	CSMA/CD	Reverse Polarity Protection	Present
No. of Ports	2 with independent IP and MAC addresses	Overload Current Protection	Present
Serial Technology		Power Consumption	3.2 W
Port Type	RS-232/422/485, software selectable	Environmental Limits	
No. of Ports	1 – DB9 male	Operating Temperature	STD: -10 ~ 60 °C (14 ~ 140 °F) EOT: -40 ~ 70 °C (-40 ~ 158 °F)
Data Bits	5, 6, 7, 8	Storage Temperature	-20 ~ 80 °C (-4 ~ 176 °F)
Stop Bits	1, 2	Ambient Relative Humidity	5% to 95%, (non-condensing)
Parity	None, Odd, Even, Space, Mark	Regulatory Approvals	
Flow Control	XON/XOFF, RTS/CTS	EMC	CE, FCC Part 15 Subpart B (Class A)
Baud Rate	50 bps ~ 921.6 kbps, any baud rate setting	Hazardous location	UL/cUL (Class I, Division 2, Groups A, B, C and D)
Serial Signals	RS-232: TxD, RxD, CTS, RTS, DCD, RI, GND RS-422: TxD+, TxD-, RxD+, RxD-, GND RS-485: Data+, Data-, GND	Green	RoHS Compliant
Protection Interface	15 KV ESD for all signals	Warranty	5 Years
Ethernet Port	2*10/100T auto negotiation speed, Full/Half duplex mode, and auto MDI/MDI-X connection	Software	
LED Indicators	Power, Ethernet Ports: Link / Act	OS Support	32-bit/64-bit Windows XP/Vista/7/8/8.1/10, Windows Server 2003/2008/2008 R2/2012/2012 R2
General		Utility Software	Antaira Device Configuration Utility
LED Indicators	System: Power, System Status LAN: Speed, Link/Active Serial: Tx, Rx	Operation Modes	Modbus RTU Master/Slave mode Modbus ASCII Master/Slave mode
Reboot Trigger	Built-in WDT (watchdog timer)	Configuration	Windows Utility, Telnet Console, Web Browser
Mechanical Characteristics		Protocols	ICMP, IP, TCP, UDP, BOOTP, DHCP, Auto IP, SNMP, HTTP, DNS, SMTP, ARP, NTP
Housing	Metal with solid mounting hardware		
Dimensions	37 x 140 x 95 mm (1.46" x 5.51" x 3.74")		
Weight	1.04lbs (0.472 kg)		
Mounting	DIN-Rail, Wall mounting		

ORDERING INFO

STM-601C	Industrial Modbus TCP (two Ethernet port) to one Serial (232,422,485) RTU/ASCII Gateway
STM-601C-T	Industrial Modbus TCP (two Ethernet port) to one Serial (232,422,485) RTU/ASCII Gateway; EOT: -40°C to 70°C

Optional Accessories

DR-30-24	30W Industrial DIN-Rail Power Supply, 24VDC
DR-60-24	60W Industrial DIN-Rail Power Supply, 24VDC

Assured Systems

Assured Systems is a leading technology company with over 1,500 regular clients in 80 countries, deploying over 85,000 systems to a diverse customer base in 12 years of business. We offer high-quality and innovative rugged computing, display, networking and data collection solutions to the embedded, industrial, and digital-out-of-home market sectors.

US

sales@assured-systems.com

Sales: +1 347 719 4508
Support: +1 347 719 4508

1309 Coffeen Ave
Ste 1200
Sheridan
WY 82801
USA

EMEA

sales@assured-systems.com

Sales: +44 (0)1785 879 050
Support: +44 (0)1785 879 050

Unit A5 Douglas Park
Stone Business Park
Stone
ST15 0YJ
United Kingdom

VAT Number: 120 9546 28
Business Registration Number: 07699660