

# AMS-2111 Series

Industrial IEEE 802.11 b/g/n 2.4GHz  
Wireless AP/Client/Bridge/Repeater



## Features

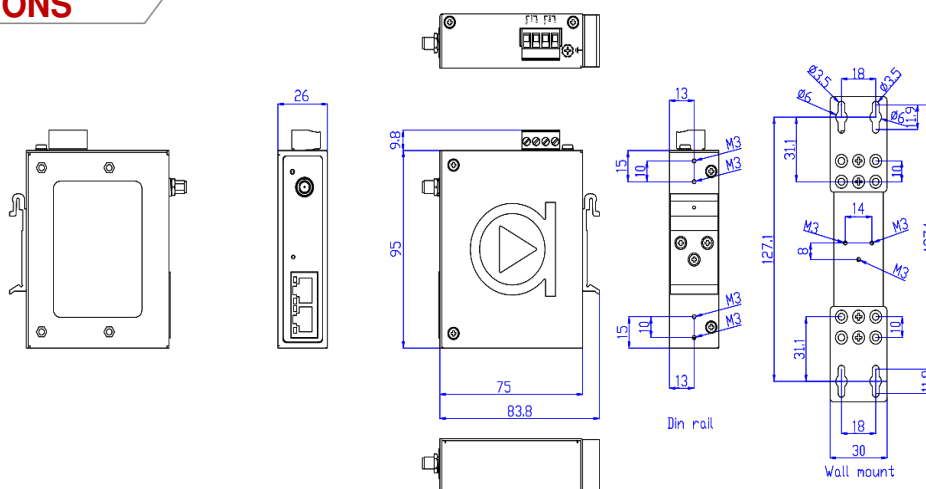
- ▶ WLAN Supports up to 150Mbps
- ▶ Industrial 1x1 SISO (Single Input Single Output)
- ▶ Supports IEEE 802.11 b/g/n
- ▶ Supports 2\*10/100Base-TX WAN/LAN Port
- ▶ Qualcomm/Atheros AR9331 SoC
- ▶ Tx Power (EIRP) 21 dB for 2.4GHz
- ▶ WPA, WPA2, TKIP, AES
- ▶ Power Input: 9~48VDC in 4-Pin Terminal Block
- ▶ Reverse Polarity Protection
- ▶ IP30 Protection
- ▶ DIN-Rail or Wall Mountable
- ▶ Operating Temperature Range
  - STD: 0° to 60°C, EOT: -40° to 75°C
- ▶ 5-Year Warranty

## INTRODUCTION

Antaira Technologies' **AMS-2111 Series** is designed for industrial and enterprise wireless access applications. Embedded with the Qualcomm/Atheros AR9331 chipset, it boasts network robustness, stability, and a wider network coverage with a very low voltage input. Based on IEEE 802.11 b/g/n, the access point supports high-speed data transmission of up to 150Mbps.

The **AMS-2111 Series** is capable of operating in different modes which makes it suitable for a wide variety of wireless applications, including long-distance deployments. The unit also allows the user to position the wireless antenna in a better signal-broadcasting location for improved wireless coverage and signal strength or simply in a more convenient location.

## DIMENSIONS



## SPECIFICATIONS

<b>Technology</b>		<b>Power Requirement</b>	
<b>Standards</b>	IEEE 802.11 b/g/n IEEE 802.3 10Base-T Ethernet IEEE 802.3u 100Base-TX Fast Ethernet	<b>Input Voltage</b>	9 to 48VDC redundant input
<b>WLAN Operation Mode</b>	AP/Client/Bridge/Repeater	<b>Power Connection</b>	4-pin terminal block
<b>Protocol</b>	IP, TCP, UDP, ARP, BOOTP, ICMP, HTTP, HTTPS, DNS Proxy, NTP, RADIUS, Dynamic DNS, SNMP	<b>Reverse Polarity Protection</b>	Present
<b>WiFi Encryption</b>	WPA, WPA2, TKIP, AES	<b>Power Consumption</b>	2 Watts
<b>Interface</b>		<b>Environmental Limits</b>	
<b>Ethernet Port</b>	2*10/100BaseT(X), auto negotiation speed, Full/Half Duplex Mode	<b>Operating Temperature</b>	STD: 0°C to 60°C (32 to 140°F) EOT: -40°C to 75°C (-40 to 167°F)
<b>WLAN</b>	Single Radio 2.4 GHz	<b>Storage Temperature</b>	-40°C to 90°C (-40 to 194°F)
<b>Antenna</b>	One External SMA Antenna: 3dBi for 2.4GHz (SISO)	<b>Ambient Relative Humidity</b>	10% to 90%, (non-condensing)
<b>Frequency Range</b>		<b>Regulatory Approvals</b>	
<b>IEEE 802.11b/g/n (2.4GHz)</b>	US/TW: 2.412G~2.462GHz EU/AU/NZ: 2.412G~2.472GHz	<b>EMI</b>	FCC Part 15 Subpart B CE EN 55032, EN301489-1/-17 FCC Part 15 subpart B CNS13438 AS/NZS CSIPR 32
<b>Mechanical Characteristics</b>		<b>EMS</b>	CE EN 55024 IEC61000-4-2 (ESD), IEC61000-4-3 (RS), IEC61000-4-4 (EFT), IEC61000-4-5 (Surge), IEC61000-4-6 (CS), IEC61000-4-8 (Magnetic Field) IEC61000-4-11
<b>Housing</b>	Metal, IP30 protection	<b>RF</b>	FCC Part 15 Subpart C/E CE-RED EN300328 EN301893 EN301489-1/-17 LP0002 AS/NZS 4268
<b>Dimensions</b>	26 x 95 x 75 mm (W x H x D)	<b>RF Radiation Exposure</b>	EN62311 FCC Part 2.1091
<b>Weight</b>	Unit: 0.60 lbs. Shipping: 1.0 lbs.	<b>Safety</b>	EN60950-1 CNS14336-1
<b>Mounting</b>	DIN-Rail Mounting, Wall Mounting	<b>Green</b>	RoHS Compliant
		<b>Certifications</b>	FCC, CE, NCC, RCM
		<b>Warranty</b>	5 Years

## ORDERING INFO

<b>AMS-2111</b>	Industrial IEEE 802.11 b/g/n Single Radio Wireless Access Point/Client/Bridge/Repeater; STD: 0°C to 60°C
<b>AMS-2111-T</b>	Industrial IEEE 802.11 b/g/n Single Radio Wireless Access Point/Client/Bridge/Repeater; EOT: -40°C to 75°C
<b>Optional Accessories</b>	
<b>HDR-60-24</b>	60W Industrial DIN-Rail Power Supply, 24VDC
<b>NDR-75-12</b>	75W Industrial DIN-Rail Power Supply, 12VDC

## Assured Systems

Assured Systems is a leading technology company with over 1,500 regular clients in 80 countries, deploying over 85,000 systems to a diverse customer base in 12 years of business. We offer high-quality and innovative rugged computing, display, networking and data collection solutions to the embedded, industrial, and digital-out-of-home market sectors.

### US

[sales@assured-systems.com](mailto:sales@assured-systems.com)

Sales: +1 347 719 4508  
Support: +1 347 719 4508

1309 Coffeen Ave  
Ste 1200  
Sheridan  
WY 82801  
USA

### EMEA

[sales@assured-systems.com](mailto:sales@assured-systems.com)

Sales: +44 (0)1785 879 050  
Support: +44 (0)1785 879 050

Unit A5 Douglas Park  
Stone Business Park  
Stone  
ST15 0YJ  
United Kingdom

VAT Number: 120 9546 28  
Business Registration Number: 07699660