

LNP-2602G-SFP Series

26-Port Industrial Gigabit PoE+ Unmanaged Ethernet Switch, with 24*10/100/1000Tx (PSE: 30W/Port), and 2* Gigabit Combo Ports (2*10/100/1000TX RJ45 and 2*100/1000 SFP Slots)



Features

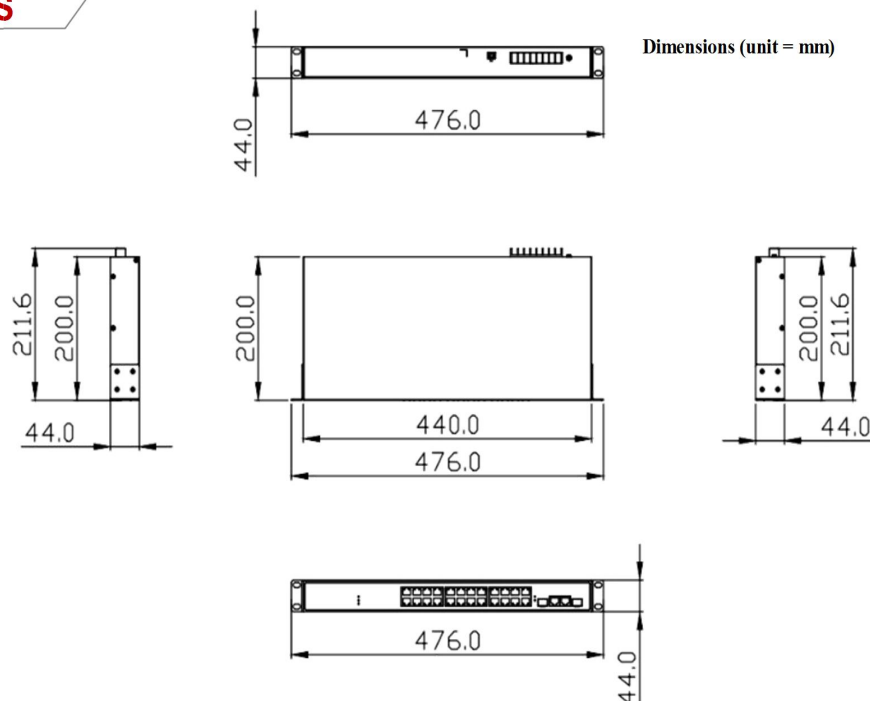
- ▶ IP40 1U 19" Rackmount Rugged Metal Case Design
- ▶ 24-port 10/100/1000Tx RJ45 Ethernet (with full 24-port PoE+ output power up to 30W/port)
- ▶ 2* Gigabit Combo Ports (2*10/100/1000Tx RJ45 and 2*100/1000 SFP Slot)
- ▶ 9.6Kbytes Jumbo Frame Support
- ▶ Redundant Power Input Design: 48~55VDC
- ▶ Built-in 1 Relay Output for Power Failure Warning
- ▶ Operating Temperature Range - STD: -10° to 70° C, EOT: -40° to 75° C
- ▶ 5-Year Warranty

INTRODUCTION

Antaira Technologies' LNP-2602G-SFP industrial gigabit PoE+ unmanaged Ethernet switch features twenty-four Gigabit ports with IEEE 802.3at high power PoE (30W/Port). The LNP-2602G-SFP also provides two gigabit combo ports with two 10/100/1000 Twisted pair and two dual rate 100/1000Fx SFP ports for fiber or twisted pair connections to support any applications that demand high PoE power support, high bandwidth and long distance communication within any harsh and extreme ambient weather environment. This product series also provides high EFT and ESD protection to prevent any unregulated voltage, and provides two wide operating temperature models with standard version in -10 to 70°C, or extended version in - 40 to 75°C.

The LNP-2602G-SFP product series is ideal for supporting applications that require high density PoE+ port connections, such as, security surveillance, traffic monitoring systems, facility management in power/utility, water wastewater treatment plants and oil/gas/mining.

DIMENSIONS



SPECIFICATIONS

Technology		Mechanical Characteristics	
Standards	IEEE 802.3 10BaseT Ethernet	Housing	Metal, IP40 protection
	IEEE 802.3u 100BaseTX Fast Ethernet	Dimensions	440 x 44 x 200 mm (W x H x D)
	IEEE 802.3ab 1000BaseT	Weight	Unit Weight: 6.0 lbs., Shipping Weight: 8.0 lbs.
	IEEE 802.3z 1000Base-X Gigabit Fiber	Mounting	1U 19" Rackmount
	IEEE 802.3af/at Power over Ethernet	Environmental Limits	
Processing Type	Store and Forward	Operating Temperature	STD: -10° to 70° C EOT: -40° to 75° C
Protocol	CSMA/CD	Storage Temperature	-40°C ~ 85°C
Flow Control	IEEE 802.3x back pressure flow control	Ambient Relative Humidity	5 to 95%, (non-condensing)
Switch Properties		Regulatory Approvals	
Switch Architecture	Back-Plane: Non-Blocking Switching Fabric	EMI	FCC Part 15 Subpart B Class A, CE EN 55022 Class A
Transfer Rate	14,880pps for Ethernet Port	EMS	IEC61000-4-2 (ESD), IEC61000-4-3 (RS), IEC61000-4-4 (EFT), IEC61000-4-5 (Surge), IEC61000-4-6 (CS), IEC61000-4-8 (Magnetic Field)
	148,800pps for Fast Ethernet Port		
	1,488,000pps for Gigabit Ethernet Port		
Memory Buffer	4Mbits	Free Fall	IEC60068-2-32
Jumbo Frame	9.6Kbytes	Shock	IEC60068-2-27
MAC Table Size	8K	Vibration	IEC60068-2-6
Interface		Green	RoHS Compliant
Ethernet Port	24*10/100/1000Tx RJ45 (w/24*PSE: 30W/Port)	Safety	UL 61010-1, UL 61010-2-201
PoE Pin out	V+, V+, V-, V- for pins 1,2,3,6 Endspan, MDI/MDIX Alternative A	Warranty	5 Years
Gigabit Combo Port (Copper/SFP)	2*RJ45 Ports w/10/100/1000Tx Ethernet and 2*100/1000 SFP Slot		
Wavelength	Refer to SFP module		
Network Cable	10BaseTx: UTP/STP Cat. 3,5		
	100BaseTx: UTP/STP Cat. 5		
	1000BaseTx: UTP/STP Cat.5/5e/6		
Power Requirements			
Input Voltage	48~55VDC, Redundant Input		
Overload Current Protection	Present (Slow-Blown Fuse)		
Reverse Polarity Protection	Yes		
PoE Power Output	30 Watts max. per PoE port		
Power Consumption	24 Watts for System		
Max PoE Power Budget	720 Watts		
Relay Contact	24VDC, 1A resistive		

ORDERING INFO

LNP-2602G-SFP 26-Port Industrial Gigabit PoE+ Ethernet Switch, w/24*10/100/1000Tx (PSE: 30W/port), and 2* Gigabit Combo Ports (2*10/100/1000Tx RJ45 and 2*100/1000 SFP Slot)

LNP-2602G-SFP-T 26-Port Industrial Gigabit PoE+ Ethernet Switch, w/24*10/100/1000Tx (PSE: 30W/port), and 2* Gigabit Combo Ports (2*10/100/1000Tx RJ45 and 2*100/1000 SFP Slot); EOT: -40° to 75° C

Optional Accessories

SFP-M-T	1.25Gbps Ethernet SFP Transceiver, Multi-Mode 550M / LC / 850nm, -40°C~85°C
SFP-S10-T	1.25Gbps Ethernet SFP Transceiver, Single Mode 10KM / LC / 1310nm, -40°C~85°C
SDR-960-48	960W Industrial DIN Rail Power Supply, 48VDC

Assured Systems

Assured Systems is a leading technology company with over 1,500 regular clients in 80 countries, deploying over 85,000 systems to a diverse customer base in 12 years of business. We offer high-quality and innovative rugged computing, display, networking and data collection solutions to the embedded, industrial, and digital-out-of-home market sectors.

US

sales@assured-systems.com

Sales: +1 347 719 4508
Support: +1 347 719 4508

1309 Coffeen Ave
Ste 1200
Sheridan
WY 82801
USA

EMEA

sales@assured-systems.com

Sales: +44 (0)1785 879 050
Support: +44 (0)1785 879 050

Unit A5 Douglas Park
Stone Business Park
Stone
ST15 0YJ
United Kingdom

VAT Number: 120 9546 28
Business Registration Number: 07699660