

inLog

L-8024

4 analog output channels and
4 digital input channels module



Features

- ◆ 4 isolation analog output channel.
- ◆ 14 bits Analog Resolution
- ◆ Programmable voltage/current range with slew rate.
- ◆ 4 channels isolation digital input
- ◆ 3000 Vrms isolation voltage for A/O channel
- ◆ Programmable power-on value and safe value
- ◆ Programmable host watchdog timer for host failure protection.
- ◆ Support ASCII format and Modbus-RTU protocol

Specifications

- ◇ Interface: RS-485, 2 wires
- ◇ Speed: 1200, 2400, 4800, 9600, 19.2K, 38.4K, 115.2K
- ◇ Protocol: ASCII protocol and Modbus-RTU protocol
- ◇ Analog output :
 - Output type: mA, V
 - Analog Channels Numbers: 4
 - Analog Resolution: 14 bits
 - Output Range: 0~20 mA, 4~20 mA, 0~+5V, ±5V, 0~+10V and ±10V
 - Programmable Output Slope : 0.125 to 2048 mA/Second
0.0625 to 1024 V/Second
 - Current Load Resistor: External 24V/1050 ohms
 - Voltage Output : 5mA max.
 - Accuracy : ±0.1% of FSR for current output
±0.2% of FSR for voltage output
 - Zero Drift: Voltage output : ±30μV/°C
Current output : ±0.2μA/°C
 - Span Temperature Coefficient: ±25 ppm/°C
 - Isolation voltage : 3000VDC

- ◇ Isolation Digital Input:
 - Channel: 4
 - Logical level 0: +1V max.
 - Logical level 1: +10 ~ +30Vdc
 - Isolation voltage : 3750Vrms
- ◇ Internal watchdog timer for device failure protection.
- ◇ High ESD protection level up to 25 kV.
- ◇ Power And Data Flow LED Indicator
- ◇ Power Requirement:
 - Power input : +10V to +30VDC
 - Power Consumption : 2.4W

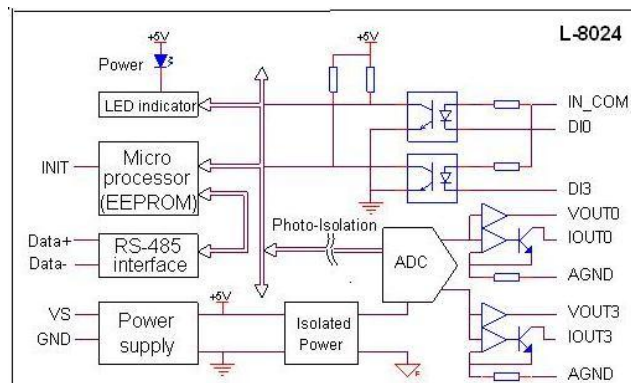
Order information

L-8024 :

4 analog output channels and 4 digital input channels module.

Flexible OEM/ODM design

Block Diagram



Assured Systems

Assured Systems is a leading technology company with over 1,500 regular clients in 80 countries, deploying over 85,000 systems to a diverse customer base in 12 years of business. We offer high-quality and innovative rugged computing, display, networking and data collection solutions to the embedded, industrial, and digital-out-of-home market sectors.

US

sales@assured-systems.com

Sales: +1 347 719 4508
Support: +1 347 719 4508

1309 Coffeen Ave
Ste 1200
Sheridan
WY 82801
USA

EMEA

sales@assured-systems.com

Sales: +44 (0)1785 879 050
Support: +44 (0)1785 879 050

Unit A5 Douglas Park
Stone Business Park
Stone
ST15 0YJ
United Kingdom

VAT Number: 120 9546 28
Business Registration Number: 07699660