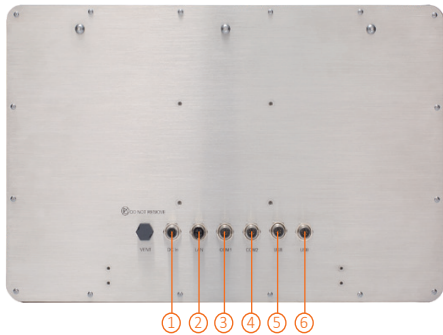


GOT818A-TGL-WCD NEW

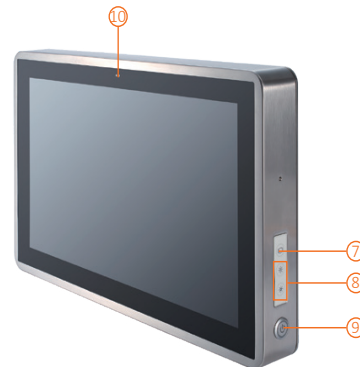
18.5" FHD TFT IP66 & IP69K-rated Stainless Steel Fanless PCT Panel Computer with Intel® Core™ i5-1145G7E or Celeron® 6305E Processor and Flat Bezel Design (-20°C to +50°C)



- | | |
|--|--|
| 1. DC power connector | 6. 2 x USB 2.0 |
| 2. 1 x 2.5GbE LAN | 7. Backlight on/off |
| 3. 1 x RS-232/422/485 (default RS-232) | 8. Brightness settings +/- |
| 4. 1 x RS-232/422/485 (default RS-232) | 9. Power on/off |
| 5. 2 x USB 2.0 | 10. Proximity and light sensors (optional) |

Features

- 18.5" FHD TFT flat bezel LCD display
- IP66/IP69K-rated (NEMA 4X) design for water, dust, and corrosion resistance
- Full stainless-steel enclosure constructed from SUS 304
- -20°C to +50°C wide operating temperature range
- Fanless design with Intel® Core™ i5-1145G7E processor
- Wi-Fi kit for wireless network connectivity (optional)
- 12 to 24 VDC wide range power input
- Supports VESA mount
- M12 type connectors for harsh environments



▲ Side view

Introduction

The 18.5-inch GOT818A-TGL-WCD is specially designed for food processing applications. Its IP66-rated stainless steel housing protects the entire system from water, powder, and dust damage. With a wide operating temperature range from -20°C to +50°C, this robust unit is specifically engineered for high humidity, dusty, or wet spaces in food factories, kitchens, and other harsh environments.

Full IP66 and IP69K Certified

The GOT818A-TGL-WCD features a water and dust-proof housing design with five IP66-rated M12 I/O connectors and IP69K certification, ensuring its ability to resist ingress of high-temperature and high-pressure water. It has successfully passed the entire system IP66 test by SGS and undergone a verified salt mist test. Additionally, it has been rigorously tested with a high-temperature water spray nozzle (+80°C), with a flow rate of 14 to 16 L/min, and held at distances of 10 to 15 cm from the device at angles of 0°, 30°, 60°, and 90° for 30 seconds. The GOT818A-TGL-WCD is qualified to meet harsh-environment applications.

Wide Temperature (-20°C to +50°C) & Anti-vibration (1G) Design

The GOT818A-TGL-WCD, featuring a fanless and noiseless design, supports a wide operating temperature range from -20°C to +50°C. Additionally, the patented anti-vibration technology for SSD ensures reliability and stability.

Specifications

Enclosure	Stainless steel (SUS) 304 or 316 (optional)	
LCD Panel	Display Type	18.5" FHD TFT LCD
	Brightness (cd/m ²)	350 nits
	Resolution	1920 x 1080
	Viewing Angle (H/V)	178°/178°
Main System	CPU	Intel® Core™ i5-1145G7E 2.6 GHz or Celeron® 6305E 1.8GHz
	Chipset	SoC integrated
	TPM	TPM 2.0 on board
	System Memory	1 x 260-pin DDR4-3200 SO-DIMM, up to 32GB
	BIOS	AMI UEFI BIOS
	Storage	1 x 2.5" SATA SSD (9.5mm height)
	Watchdog Timer	65536 levels, 0 to 65535 sec.
	Onboard Graphics	Integrated with Intel® Iris® X Graphics (Core™ i5-1145G7E) Integrated with Intel® UHD Graphics (Celeron® 6305E)
I/O Connector	2 x RS-232/422/485 (default RS-232, A-coded) 4 x USB 2.0 (A-coded) 1 x 2.5GBase-T Ethernet with Intel® I225 (TSN and X-coded) in support of Wake-on-LAN and PXE Boot ROM 1 x DC power connector (M12 A-coded)	
Expansion Interface	1 x M.2 Key E slot (with PCIe x1 and USB 2.0 supported), dimensions: 22 x 30 mm	
Touchscreen	Projected capacitive multi-touch	
Power Input	12 to 24 VDC	
Power Consumption	76.8W	
Dimensions	485.0 mm (19.1") (W) x 55 mm (2.2") (D) x 302.4 mm (11.91") (H)	
Packing Dimensions	623 mm (24.53") (W) x 258 mm (10.16") (D) x 517 mm (20.35") (H)	
Weight (net/gross)	7.30 kg (16.09 lb)/10.5 kg (23.15 lb)	
Operating Temperature	-20°C to +50°C (-4°F to +122°F)	
Relative Humidity	10% to 95% @ +40°C, non-condensing	
Operation Vibration	1G, 5 - 500Hz, random for 2.5" SSD	
Certifications	CE, EN 61000-6-2, EN 61000-6-4, and FCC Class A	
	CID2 compliance (must install I/O cover: 882B818A0A0E/882B818A1A0E)	

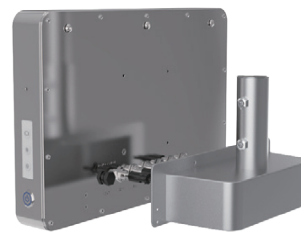
*W.T.: Wide temperature. All W.T. supported products have to be sorted by Axiomtek.

**To comply with CID2 certification, please refer to "Optional Accessories" to install specific accessories.

I/O Cover Kit



882B818A0A0E
GOT818A CID2 I/O Cover Kit (Down)



882B818A1A0E
GOT818A CID2 I/O Cover Kit (Up)

Ordering Information

GOT818A-TGL-WCD (P/N: E22B818A00)	18.5" FHD fanless IP66 & IP69K-rated stainless steel touch panel computer with Intel® Core™ i5-1145G7E, projected capacitive touch screen, 350 nits LCD, and 12 to 24 VDC power input
GOT818A-11C-WCD (P/N: E22B818A01)	18.5" FHD fanless IP66 & IP69K-rated stainless steel touch panel computer with Intel® Celeron 6305E, projected capacitive touch screen, 350 nits LCD, and 12 to 24 VDC power input

* Other configuration by request

* Specification and certifications may vary based on different requirements

Packing List

1 x GOT818A-TGL-WCD
1 x DC cable

Optional Accessories

594B8122100E	Water-proof COM cable (1.8 m)
594B7102700E	Water-proof LAN cable (1.8 m)
594B8122820E	USB cable M12-8P-F/2*A type 180 cm
509000002200	Adapter 24V 90W, M12 A-code 5P
882B818A0A0E	GOT818A-C1D2-Cover-DN Kit (E)
882B818A1A0E	GOT818A-C1D2-Cover-UP Kit (E)

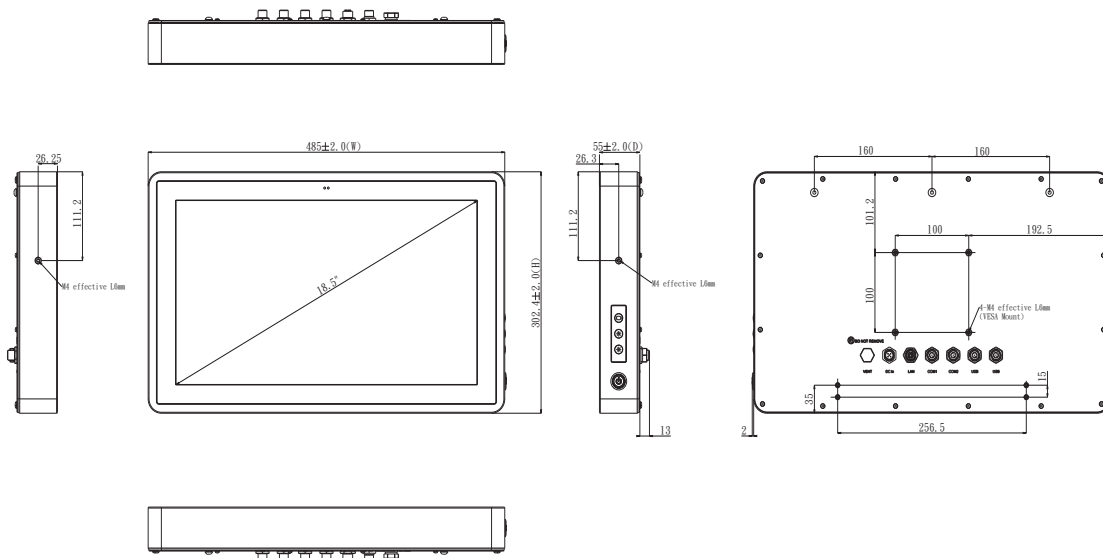
Optional EOS Installation

Windows® 10 IoT, Windows® 11 IoT

Optional OS Installation

Windows® 10, Windows® 11

Dimensions



Assured Systems

Assured Systems is a leading technology company with over 1,500 regular clients in 80 countries, deploying over 85,000 systems to a diverse customer base in 12 years of business. We offer high-quality and innovative rugged computing, display, networking and data collection solutions to the embedded, industrial, and digital-out-of-home market sectors.

US

sales@assured-systems.com

Sales: +1 347 719 4508
Support: +1 347 719 4508

1309 Coffeen Ave
Ste 1200
Sheridan
WY 82801
USA

EMEA

sales@assured-systems.com

Sales: +44 (0)1785 879 050
Support: +44 (0)1785 879 050

Unit A5 Douglas Park
Stone Business Park
Stone
ST15 0YJ
United Kingdom

VAT Number: 120 9546 28
Business Registration Number: 07699660