



**Embedded Solutions**

PCIe M.2 SSDs  
**MTE352T**



Transcend's single-sided MTE352T M.2 SSD features the PCI Express (PCIe) Gen 3 x2 interface and is compatible with NVM Express (NVMe) 1.3 specifications to achieve never-before-seen transfer speeds. The MTE352T features state-of-the-art 3D NAND technology, which allows 96 layers of 3D NAND flash chips to be vertically stacked. Compared to 3D NAND at 64 layers, this density breakthrough greatly improves storage efficiency. Applied with 30µ" gold finger PCB and Corner Bond technology, the MTE352T is fully tested in-house to guarantee reliability, boasting an endurance rating of 3K Program/Erase cycles and an extended operating temperature ranging from -20°C~75.

**Hardware Features**

- Key components fortified by default with Corner Bond technology
- PCIe Gen 3 x2 interface
- Endurance: 3K P/E cycles (Program/Erase cycles) guaranteed
- 30µ" PCB gold finger
- Promised operational reliability in an extended temperature range (from -20°C to 75°C)

**Ordering Information**

128GB	TS128GMTE352T
256GB	TS256GMTE352T
512GB	TS512GMTE352T

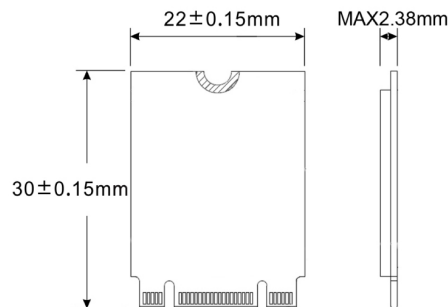
**Firmware Features**

- SLC caching technology
- Supports NVM command
- Built-in LDPC ECC (Error Correction Code) functionality
- Advanced Garbage Collection
- Dynamic thermal throttling

## Specifications

<b>Appearance</b>	Dimensions	30 mm x 22 mm x 2.38 mm (1.18" x 0.87" x 0.08")
	Weight	4 g (0.14 oz)
	Form Factor	M.2
	M.2 Type	2230-S3-B-M (Single-sided)
<b>Interface</b>	Bus Interface	NVMe PCIe Gen3 x2
<b>Storage</b>	Flash Type	3D NAND flash
	Capacity	128 GB / 256 GB / 512 GB
<b>Operating Environment</b>	Operating Voltage	3.3V±5%
	Operating Temperature	Extended Temp. -20°C (-4°F) ~ 75°C (167°F)
	Storage Temperature	-55°C (-67°F) ~ 85°C (185°F)
	Humidity	5% ~ 95%
	Shock	1500 G, 0.5 ms, 3 axis
<b>Power</b>	Vibration (Operating)	20 G (peak-to-peak), 7 Hz ~ 2000 Hz (frequency)
	Power Consumption (Operation)	3.12 watt(s)
<b>Performance</b>	Power Consumption (IDLE)	0.36 watt(s)
	Sequential Read/Write (CrystalDiskMark)	Read: up to 1,700 MB/s Write: up to 1,000 MB/s
	4K Random Read/Write (IOMeter)	Read: up to 150,000 IOPS Write: up to 230,000 IOPS
	Mean Time Between Failures (MTBF)	3,000,000 hour(s)
	Terabytes Written (TBW)	up to 1,080 TBW
<b>Warranty</b>	Drive Writes Per Day (DWPD)	2.0 (3 yrs)
	Certificate	CE / FCC / BSMI
	Warranty	Three-year Limited Warranty

## Mechanical Dimensions



Product specifications are subject to change without notice. Pictures shown may differ from actual products. Total accessible capacity varies depending on operating environment. Due to the complexity and variety of industrial applications, Transcend cannot guarantee 100% compatibility with all platforms and under all scenarios. For special applications and environments, it is strongly suggested that you contact Transcend beforehand for clarification.

## Assured Systems

Assured Systems is a leading technology company with over 1,500 regular clients in 80 countries, deploying over 85,000 systems to a diverse customer base in 12 years of business. We offer high-quality and innovative rugged computing, display, networking and data collection solutions to the embedded, industrial, and digital-out-of-home market sectors.

### US

[sales@assured-systems.com](mailto:sales@assured-systems.com)

Sales: +1 347 719 4508  
Support: +1 347 719 4508

1309 Coffeen Ave  
Ste 1200  
Sheridan  
WY 82801  
USA

### EMEA

[sales@assured-systems.com](mailto:sales@assured-systems.com)

Sales: +44 (0)1785 879 050  
Support: +44 (0)1785 879 050

Unit A5 Douglas Park  
Stone Business Park  
Stone  
ST15 0YJ  
United Kingdom

VAT Number: 120 9546 28  
Business Registration Number: 07699660