



PROLITE TF1634MC-B6X



15.6" open frame 10pt touch monitor

The ProLite TF1634MC 15.6" multi touch screen is based on projective capacitive technology which thanks to a glass overlay covering the screen guarantees high durability, scratch-resistance and perfect picture performance. The touch function remains unaffected even if the glass is scratched. The screen is IP65 rated which means it is dust and water resistant from the front. For ease of installation in any environment the ProLite TF1634MC comes equipped with external mounting brackets making it an ideal solution for kiosk integrators and Instore Retail.



Touch technology - Capacitive

This technology uses a sensor-grid of micro-fine wires integrated into the glass that covers the screen. Touch is detected because electrical characteristics of the sensor grid change when human finger is placed on the glass. Thanks to the glass overlay this technology is highly durable, and the touch function remains unaffected even if the glass is scratched. It offers perfect picture performance and will work with human finger (also latex gloved) and stylus-pen.



Scratch resistance

Scratch resistance is essential for touch solutions used in public places and schools. This is achieved thanks to a glass overlay covering the screen. It guarantees high durability of the touch function and even more importantly the touch function remains unaffected even if the glass is scratched.

01 DISPLAY CHARACTERISTICS

| | |
|-------------------------|---|
| Design | Edge to edge glass |
| Diagonal | 15.6", 39.5cm |
| Panel | TN LED |
| Native resolution | 1366 x 768 (1.0 megapixel) |
| Aspect ratio | 16:9 |
| Brightness | 400 cd/m ² typical |
| Brightness | 360 cd/m ² with touch |
| Static contrast | 500:1 with touch |
| Light transmittance | 90% |
| Response time | 8ms |
| Viewing zone | horizontal/vertical: 170°/160°, right/left: 85°/85°, up/down: 80°/80° |
| Colour support | 16.7mIn 8bit (6bit + Hi-FRC) |
| Horizontal Sync | 31.4 - 60.3KHz |
| Vertical Sync | 56 - 75Hz |
| Viewable area W x H | 344.2 x 193.5mm, 13.6 x 7.6" |
| Pixel pitch | 0.252mm |
| Bezel colour and finish | black, matte |

02 TOUCH

| | |
|-----------------------------|---|
| Touch points | 10 (HID, only with supported OS) |
| Touch method | stylus, finger, glove (latex) (latex) |
| Touch interface | USB |
| Supported operating systems | All iiyama monitors are Plug & Play and compatible with Windows and Linux. For details regarding the supported OS for the touch models, please refer to the driver instruction file available in the downloads section. |

03 INTERFACES / CONNECTORS / CONTROLS

| | |
|----------------------|---------------------------|
| Analog signal input | VGA x1 |
| Digital signal input | HDMI x1 DisplayPort x1 |
| HDCP | yes |

04 FEATURES

| | |
|---------------------------|--------------------------|
| Extra | anti-fingerprint coating |
| Glass thickness | 2.4mm |
| Glass hardness | 7H |
| Water and dust protection | IP65 (front) |
| OSD key lock | yes |

05 GENERAL

| | |
|-----------------|---|
| OSD languages | EN, DE, FR, ES, IT, CN, JP |
| Control buttons | Menu, Scroll up/ Brightness, Scroll down/ Contrast, Select, Power |
| User controls | Picture (contrast, brightness, H-position, V-position, phase, clock, auto adjust), advanced (color temp., sharpness), OSD (timeout, position, H-position, V-position), option (reset, language, source select, display mode, factory) |

| | |
|-----------|-------|
| Plug&Play | DDC2B |
|-----------|-------|

06 MECHANICAL

| | |
|---------------|------------------------------|
| Orientation | landscape, portrait, face-up |
| VESA mounting | 100 x 100mm |

07 ACCESSORIES INCLUDED

| | |
|-------------|---|
| Cables | power (1.8m), USB (1.8m), HDMI (1.8m), DP (1.8m) |
| Guides | quick start guide, safety guide |
| Other | AC adapter, Touch Panel Driver Disk (CD-ROM), L-bracket |
| Cable cover | yes |

08 POWER MANAGEMENT

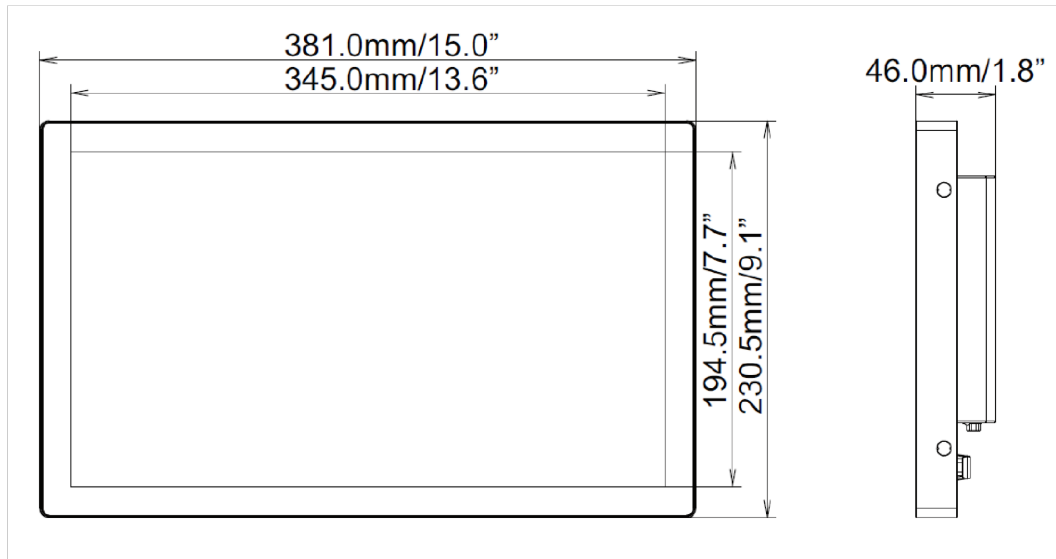
| | |
|-------------------|---------------------------------------|
| Power supply unit | external |
| Power supply | DC 12 V |
| Power usage | 16W typical, 2W stand by, 2W off mode |

09 SUSTAINABILITY

| | |
|-------------|---------------------------------|
| Regulations | CE, TÜV-Bauart, CU, cULus, VCCI |
| Other | REACH SVHC above 0.1%: Lead |

10 DIMENSIONS / WEIGHT

| | |
|------------------------------|--------------------|
| Product dimensions W x H x D | 381 x 230.5 x 46mm |
| Weight (without box) | 3.5kg |
| EAN code | 4948570116829 |



11 EU ENERGY EFFICIENCY LABEL

Manufacturer

Iiyama

All trademarks and registered trademarks acknowledged. E & O E. Specification subject to change without notice. All LCD's comply with ISO-9241-307:2008 in connection with pixel defects.

© IIYAMA CORPORATION. ALL RIGHTS RESERVED

Assured Systems

Assured Systems is a leading technology company with over 1,500 regular clients in 80 countries, deploying over 85,000 systems to a diverse customer base in 12 years of business. We offer high-quality and innovative rugged computing, display, networking and data collection solutions to the embedded, industrial, and digital-out-of-home market sectors.

US

sales@assured-systems.com

Sales: +1 347 719 4508
Support: +1 347 719 4508

1309 Coffeen Ave
Ste 1200
Sheridan
WY 82801
USA

EMEA

sales@assured-systems.com

Sales: +44 (0)1785 879 050
Support: +44 (0)1785 879 050

Unit A5 Douglas Park
Stone Business Park
Stone
ST15 0YJ
United Kingdom

VAT Number: 120 9546 28
Business Registration Number: 07699660