



PROLITE TF2234MC-B6AGB



10pt touch open frame monitor with Anti Glare Glass and high brightness

The ProLite TF2234MC uses PCAP touch technology, and it is built into an eye-catching bezel with edge-to-edge glass. Featuring IPS LCD Screen technology, it offers exceptional colour performance and wide viewing angles. The higher brightness ensures crispy and clear images, even in a bright environment. In addition to the superb image quality, the screen is suitable for demanding environments. It comes with a rugged bezel and IP65 rating, meaning the monitor is dust and water resistant from the front. The Anti Glare Glass helps to avoid issues with reflections and external light sources affecting contrast and sharpness. The ProLite TF2234MC is the ideal screen for kiosk integrators and a superb display for use as Interactive Digital Signage, Instore Retail and Interactive Presentation display.



IPS

IPS technology offers higher contrast, darker blacks and much better viewing angles than standard TN technology. The screen will look good no matter what angle you look at it.



Touch technology - Capacitive

This technology uses a sensor-grid of micro-fine wires integrated into the glass that covers the screen. Touch is detected because electrical characteristics of the sensor grid change when human finger is placed on the glass. Thanks to the glass overlay this technology is highly durable, and the touch function remains unaffected even if the glass is scratched. It offers perfect picture performance and will work with human finger (also latex gloved) and stylus-pen.

01 DISPLAY CHARACTERISTICS

Design	Open Frame
Diagonal	21.5", 55cm
Panel	IPS LED, Anti Glare Glass
Native resolution	1920 x 1080 (2.1 megapixel Full HD)
Aspect ratio	16:9
Brightness	350 cd/m ² typical
Brightness	300 cd/m ² with touch
Static contrast	1 000:1 with touch
Light transmittance	85%
Response time	8ms
Viewing zone	horizontal/vertical: 178°/178°, right/left: 89°/89°, up/down: 89°/89°
Colour support	16.7mIn 8bit (6bit + Hi-FRC)
Horizontal Sync	30.0 - 84.0KHz
Vertical Sync	56 - 76Hz
Viewable area W x H	476.6 x 268.1mm, 18.8 x 10.6"
Pixel pitch	0.247mm
Bezel colour and finish	black, matte

02 TOUCH

Touch technology	projective capacitive
Touch points	10 (HID, only with supported OS)
Touch method	stylus, finger, glove (latex)
Touch interface	USB
Supported operating systems	All iiyama monitors are Plug & Play and compatible with Windows and Linux. For details regarding the supported OS for the touch models, please refer to the driver instruction file available in the downloads section.

03 INTERFACES / CONNECTORS / CONTROLS

Analog signal input	VGA x1
Digital signal input	HDMI x1 DisplayPort x1
HDCP	yes

04 FEATURES

Glass thickness	1.5mm
Glass hardness	6H
Water and dust protection	IPIP65 (front)
OSD key lock	yes

05 GENERAL

OSD languages	EN, DE, FR, ES, IT, RU, JP, NL, PL
Control buttons	Menu, Scroll up/ Brightness, Scroll down/ Contrast, Select/ Auto, Power
User controls	picture (contrast, brightness, auto adjust, H.position, V.position, H.size, phase, clock, auto adjust), advanced (color temp., sharpness), OSD (time out, position, H-position, V-position), option (reset, language, source select, display mode, factory)

Plug&Play	DDC2B
-----------	-------

06 MECHANICAL

Orientation	landscape, portrait, face-up
VESA mounting	100 x 100mm

07 ACCESSORIES INCLUDED

Cables	power (1.8m), USB (1.8m), HDMI (1.8m), DP (1.8m)
Guides	quick start guide, safety guide
Other	AC adapter, Touch Panel Driver Disk (CD-ROM), L-Bracket
Cable cover	yes

08 POWER MANAGEMENT

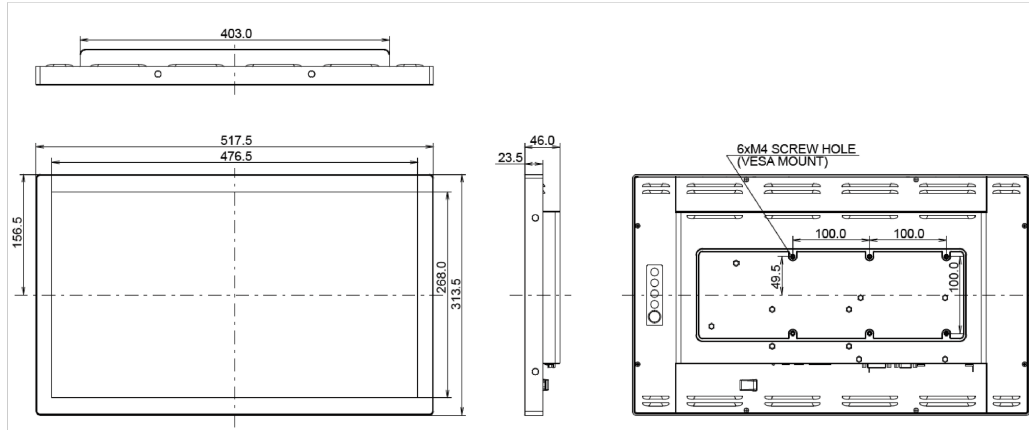
Power supply unit	external
Power supply	DC DC 12 V
Power usage	18W typical, 1W stand by, 1W off mode

09 SUSTAINABILITY

Regulations	CE, TÜV-Bauart, CU, cULus, VCCI
Other	REACH SVHC above 0.1%: Lead

10 DIMENSIONS / WEIGHT

Product dimensions W x H x D	517.5 x 313.5 x 46mm
Weight (without box)	4.4kg
EAN code	4948570116867



11 EU ENERGY EFFICIENCY LABEL

Manufacturer

iiyama

All trademarks and registered trademarks acknowledged. E & O E. Specification subject to change without notice. All LCD's comply with ISO-9241-307:2008 in connection with pixel defects.

© IIYAMA CORPORATION. ALL RIGHTS RESERVED

Assured Systems

Assured Systems is a leading technology company with over 1,500 regular clients in 80 countries, deploying over 85,000 systems to a diverse customer base in 12 years of business. We offer high-quality and innovative rugged computing, display, networking and data collection solutions to the embedded, industrial, and digital-out-of-home market sectors.

US

sales@assured-systems.com

Sales: +1 347 719 4508
Support: +1 347 719 4508

1309 Coffeen Ave
Ste 1200
Sheridan
WY 82801
USA

EMEA

sales@assured-systems.com

Sales: +44 (0)1785 879 050
Support: +44 (0)1785 879 050

Unit A5 Douglas Park
Stone Business Park
Stone
ST15 0YJ
United Kingdom

VAT Number: 120 9546 28
Business Registration Number: 07699660