

Giada ISC-261

Apollo Lake Industrial Player

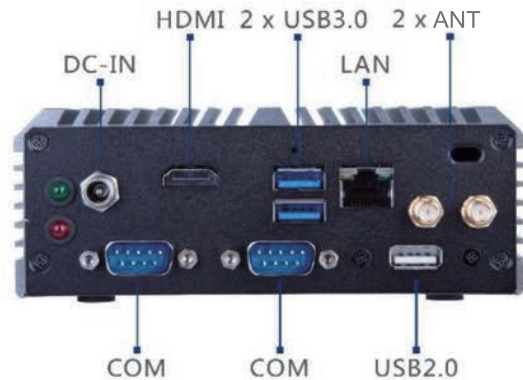


Features

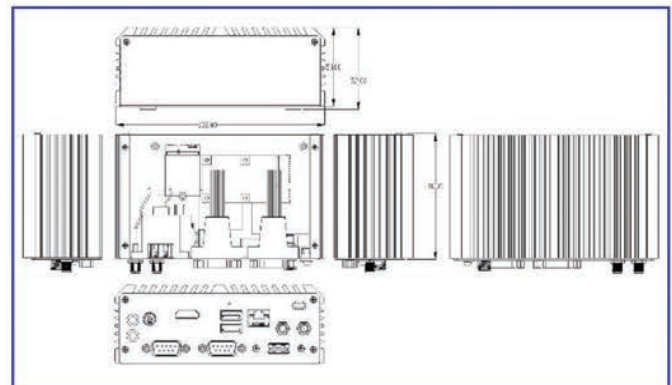
- Intel® Apollo Lake Processors
- DDR3L-1600MHz, Onboard 2GB
- 1 x HDMI or 1 x VGA
- 1 x mSATA
- 2 x USB3.0, 1 x USB2.0, 2 x RS232
- 1 x RJ45, 1 x M.2 (2230) for WIFI

Specifications

Processor	CPU	Intel® Celeron N3350/Intel® Atom x5-E3930
	Frequency	1.10 GHz (Up to 2.40 GHz) 1.30 GHz (Up to 1.80 GHz)
	BIOS	AMI Source Code
	Chipset	SOC
Memory	Type	DDR3L-1600MHz
	Max Size	Onboard 2GB
Graphics	GPU	Intel® HD Graphics 500
	Graphic Engine	DirectX 11.1, OpenGL 3.0, OCL 1.1, OpenGL ES 2.0
	HDMI	1 x HDMI (Max. 3840 x 2160@30Hz) or 1 x VGA(Max. 1920 x 1080@60Hz)
Network	Controller	1 x I210-IT Gigabit Ethernet
	Interface	1 x RJ45
I/O	USB	1 x USB 2.0, 2 x USB 3.0
	Display Interface	1 x HDMI or 1 x VGA
	Serial Port	2 x RS232
	Mini-PCIe	1 x Full-size Mini-PCIe for mSATA
	M.2	1 x M.2 (2230) for WIFI
JAHC Tech	JAHC	WatchDog Timer / Auto Power On / RTC
Storage	mSATA	1 x mSATA
	Windows	Windows 10(64-bit)
Operation System	Linux	Support
	Power Type	DC-IN
Power	Input Voltage	12V
	Construction	Metal
Mechanical	Dimensions	132 x 80 x 52mm(5.20" x 3.15" x 2.05")
	Color	Black
	Operating Temperatur	0° C ~ 60° C (32 ~ 140° F) (N3350) -20° C ~ 60° C (-4 ~ 140° F) (E3930)
Environment	Relative Humidity	95%@40°C(non-condensing)
	Certification	CE/FCC Class B, CCC



Dimensions and Drawing



Packing List

Part Number	Description	Quantity	Mark
-	ISC-261	1	
-	Driver Disk	1	
-	User Manual	1	
-	AC Power Adapter	1	
-	WiFi Antenna	2	

Order Information

Part Number	Description
ISC-261-3350	Intel® Celeron N3350; Onboard 2GB DDR3L
ISC-261-3930	Intel® Atom x5-E3930; Onboard 2GB DDR3L

Assured Systems

Assured Systems is a leading technology company with over 1,500 regular clients in 80 countries, deploying over 85,000 systems to a diverse customer base in 12 years of business. We offer high-quality and innovative rugged computing, display, networking and data collection solutions to the embedded, industrial, and digital-out-of-home market sectors.

US

sales@assured-systems.com

Sales: +1 347 719 4508
Support: +1 347 719 4508

1309 Coffeen Ave
Ste 1200
Sheridan
WY 82801
USA

EMEA

sales@assured-systems.com

Sales: +44 (0)1785 879 050
Support: +44 (0)1785 879 050

Unit A5 Douglas Park
Stone Business Park
Stone
ST15 0YJ
United Kingdom

VAT Number: 120 9546 28
Business Registration Number: 07699660