

# R15IB3S-67C3(HB)

15" Intel® Celeron® N2930 G-WIN Full IP67 Series Panel PC



## KEY FEATURES

- Intel® Celeron® Bay Trail N2930 1.83GHz Processor Fanless Design
- High Quality 15" Panel, 1024 x 768 resolution, 300 nits (Optional for 1000 nits)
- IP67 Dust/ Water proof design with VESA mount
- Aluminum Die-Casting Housing with Anti-Corrosion Treatments
- Build in ambient Light sensor
- Wide Range 9 to 36V DC Input with isolation
- Optional 6-60V DC Input, and Optional for Ignition On/Off delay
- 5 Wire Resistive Touch / Anti-Reflective Protection Glass (Optional)
- Optional HB/Sunlight Readable up to 1000 nits
- Design to meet EN50155

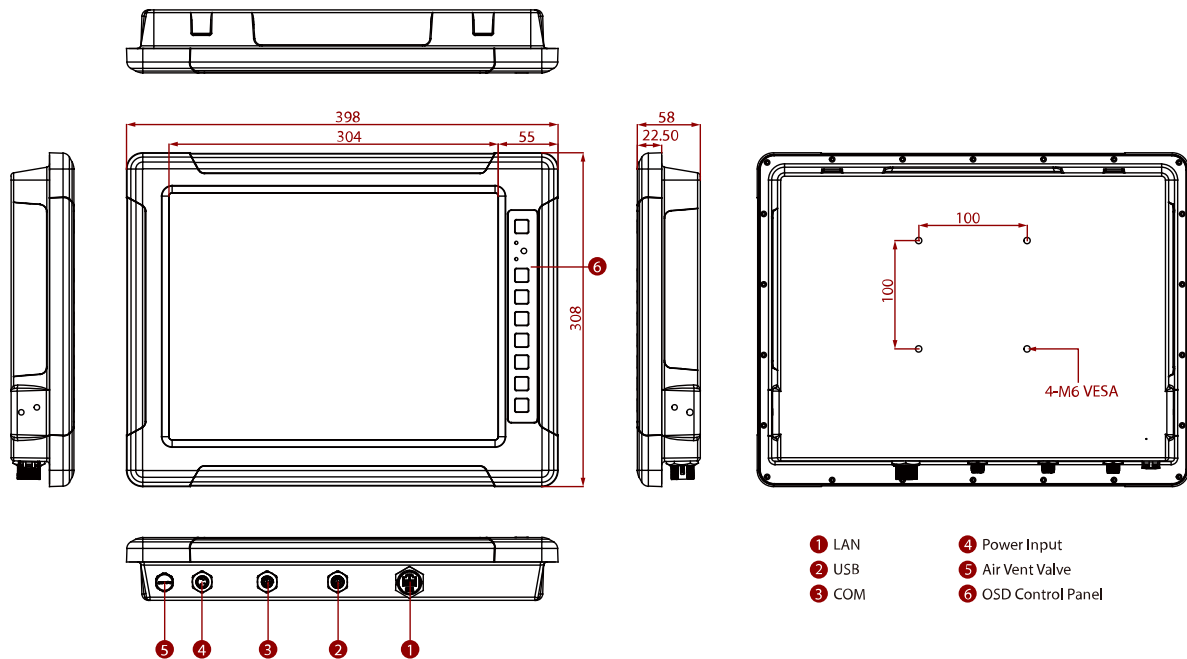


## SPECIFICATIONS

System Specification			
<b>Processor</b>	Intel® Celeron® N2930 (2M Cache, up to 2.16 GHz)	<b>Memory</b>	1 x SO-DIMM, DDR3L 1600 MHz, 4GB 8GB (Optional)
<b>Storage</b>	1 x mSATA SSD 64GB. mSATA SSD up to 512GB. (Optional)	<b>Ethernet controller</b>	2 x Intel® Ethernet Controller I210-AT
<b>Security</b>	TPM 2.0	<b>Operating System</b>	Windows 7 Embedded Systems (Optional) Windows 10 IoT Enterprise (Optional) Linux Ubuntu 18.04 (Optional)
<b>WLAN</b>	802.11 a/b/g/n/ac (Optional)	<b>BT</b>	BT Support (Optional)
Display			
<b>Resolution</b>	1024x768	<b>Size</b>	15.0 inches
<b>Contrast Ratio</b>	2000:1	<b>Panel Brightness</b>	300 nits
<b>View Angles</b>	88,88,88,88	<b>Touch / Glass</b>	Resistive Touch Screen Bonding With Panel Protection Glass Without touch function (Optional)
<b>Optional function</b>	High brightness Panel for sunlight readable (Optional)		
Mechanical			
<b>Dimension</b>	398 x 308 x 58 mm	<b>Mounting</b>	VESA Mount Yoke Mount
<b>Enclosure</b>	Aluminum Housing	<b>Cooling System</b>	Fanless design
Environment			
<b>Operating Humidity</b>	10% to 90% (non-condensing)	<b>Operating Temperature</b>	-15~55°C
<b>Storage Temperature</b>	-30~70°C	<b>Shock</b>	30g for 18ms, 300m/s <sup>2</sup>
<b>Vibration</b>	1.60/1.96/2.18 g rms for XYZ / 5-500Hz	<b>IP rating</b>	IP67
Certification			
<b>Certification</b>	CE, FCC Class B MIL810F/ IEC60068-2-27 for Vibration /Shock		
IO Ports			

<b>USB Port</b>	1 x M12 waterproof connector for 2 x USB2.0	<b>Serial Port</b>	1 x M12 waterproof connector for RS232
<b>LAN</b>	1 x waterproof Giga LAN RJ45 connector	<b>Indicator</b>	1 x LED Indicator for power 1 x LED Indicator for storage
<b>Control</b>			
<b>Button</b>	1 x Power Button 1 x Reset Button 1 x Lock / Unlock front key function button 1 x Auto Dimming / Manually button 1 x Day / Night Mode button 1 x Brightness Up button 1 x Brightness Down button 1 x LED indicator brightness adjustment button 1 x Light sensor		
<b>Accessory</b>			
<b>Accessory</b>	External open wire Power cable with waterproof connector External USB cable with waterproof connector External COM cable with waterproof connector External LAN cable with waterproof connector Waterproof caps RJ45 female-female converter Driver CD & Manual VESA screws		
<b>Optional Accessory</b>	Yoke mount stand (Optional) 100~240V AC to DC Adapter with power cord (Optional)		

**DIMENSIONS** UNIT:MM



**NOTE**

1. This is a simplified drawing and some components are not marked in detail.
3. Weight of the device varies by configuration.
4. Please contact our sales representative if you need further product information.
5. All specifications are subject to change without prior notice.
6. The product shown in this datasheet is a standard model. For diagrams that contain customized or optional I/O, please contact the Winmate Sales Team for more information.

## Assured Systems

Assured Systems is a leading technology company with over 1,500 regular clients in 80 countries, deploying over 85,000 systems to a diverse customer base in 12 years of business. We offer high-quality and innovative rugged computing, display, networking and data collection solutions to the embedded, industrial, and digital-out-of-home market sectors.

### US

[sales@assured-systems.com](mailto:sales@assured-systems.com)

Sales: +1 347 719 4508  
Support: +1 347 719 4508

1309 Coffeen Ave  
Ste 1200  
Sheridan  
WY 82801  
USA

### EMEA

[sales@assured-systems.com](mailto:sales@assured-systems.com)

Sales: +44 (0)1785 879 050  
Support: +44 (0)1785 879 050

Unit A5 Douglas Park  
Stone Business Park  
Stone  
ST15 0YJ  
United Kingdom

VAT Number: 120 9546 28  
Business Registration Number: 07699660