

Rugged Handheld Device 7"

M700D

Model Name : M700D

Product Features:

- Intel® Atom™ Processor Dual Core N2600 1.6 GHz
- 7"WSVGA(1024x600)TFT LCD Display
- Compliant with MIL-STD-810G
- Projected Capacitive Multi-Touch Screen
- 2.0M Camera in Rear Side (with LED auxiliary light, Auto Focus)
- G-sensor and Light sensor
- Built-in WLAN 802.11 a/b/g/n & Bluetooth 4.0 & Neo-6 GPS
- Support Windows® Embedded Standard 7 Operating System

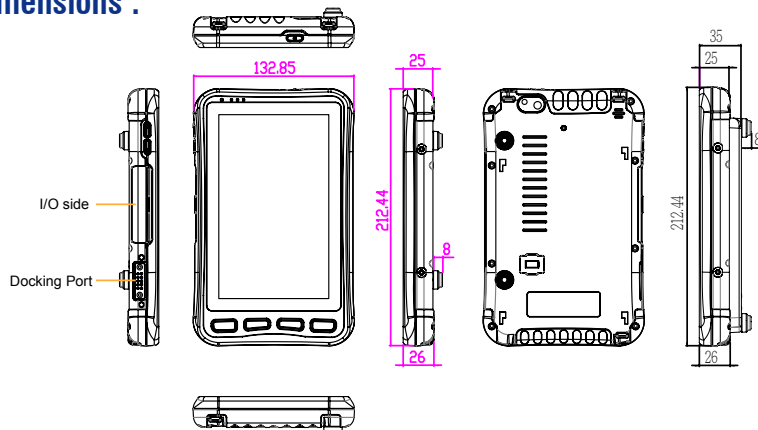


Product Specifications:

System Specification	Processor	Intel® Atom™ Processor N2600 1.6 GHz
	System Memory	2 GB DDR3 SDRAM(upgradable to 4 GB)
	Storage	32GB SSD(upgradable to 128 GB SSD)
	Operating System	Windows® Embedded Standard 7 (WES7P)
Display Specification	Size	7"
	Resolution	1024 * 600
	Brightness	500nit (typ.)
	Touch	Projected Capacitive Touch
Wireless Communication	WLAN	Support 802.11 a/b/g/n 2T2R
	Bluetooth	Bluetooth 4.0 + Class I
	WWAN	Optional 3G(support HSPA/ UMTS / GPRS / WCDMA / GSM)
	GPS	Neo-6 GPS Module
Mechanical and Environment	Dimensions (W x L x H)	212.4 x 132.8 x 25 mm (Standard)
	Weight	770g (Standard) / 1070g (with second battery)
	Operation Temperature	-20°C to 60°C (AC mode), -10°C to 50°C (Battery mode)
	Operation Humidity	95% RH (non condensing)
	IP Proof	IP65
	Shock	MIL-STD-810G Method 516.6
	Vibration	MIL-STD-810G Method 514.6
	Drop	MIL-STD-810G Method 516.6, 4 ft, Free to concrete
	Certifications	CE, FCC
	I/O Connectors	External I/O
Internal Audio Device		1.2W Speaker
Power Management	Power input	12V DC in
	Power consumption	11.5W (under full loading)
	Battery	7.4V 2270mAh Li-Poly rechargeable battery 2S1P 7.4V 5300mAh Hotswap second battery 2S1P
	Battery Operating Time	Main Battery: 3hrs* With Second Battery: 10hrs*
Field Service Features	Adapter	50W Adapter
	Camera	2.0M pixel Camera with LED auxiliary light(Rear Side , with Auto Focus)

* Note: Measured at dimming LCD brightness. Varies depending on the usage conditions, or when an external device is attached.

Dimensions :



Accessories:	
Default	Quick Start Guide
	User Manual
	50W Adapter
	5300mAh Second battery

Order Information:	
Model Name	Configuration
M700D	Standard
M700D-3	with 3G card

Assured Systems

Assured Systems is a leading technology company with over 1,500 regular clients in 80 countries, deploying over 85,000 systems to a diverse customer base in 12 years of business. We offer high-quality and innovative rugged computing, display, networking and data collection solutions to the embedded, industrial, and digital-out-of-home market sectors.

US

sales@assured-systems.com

Sales: +1 347 719 4508
Support: +1 347 719 4508

1309 Coffeen Ave
Ste 1200
Sheridan
WY 82801
USA

EMEA

sales@assured-systems.com

Sales: +44 (0)1785 879 050
Support: +44 (0)1785 879 050

Unit A5 Douglas Park
Stone Business Park
Stone
ST15 0YJ
United Kingdom

VAT Number: 120 9546 28
Business Registration Number: 07699660