

DS SERIES

DS752LT5

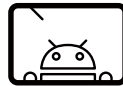
75" Ultra HD High Brightness 4,500 Nits Digital Signage



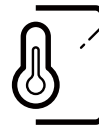
SUNLIGHT
VIEWABLE IMAGE



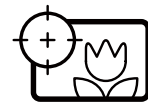
ULTRA HD
4K RESOLUTION



BUILT-IN
MEDIA PLAYER



THERMAL
MANAGEMENT



TRUECOLOR™
CALIBRATED

FOR MORE INFORMATION

For more information about DynaScan, visit our site at www.dynascandisplay.com. Copyright © DynaScan Technology Inc. All rights reserved. All specifications and descriptions are subject to change without notice. Reproduction without permission is prohibited.

DynaScan

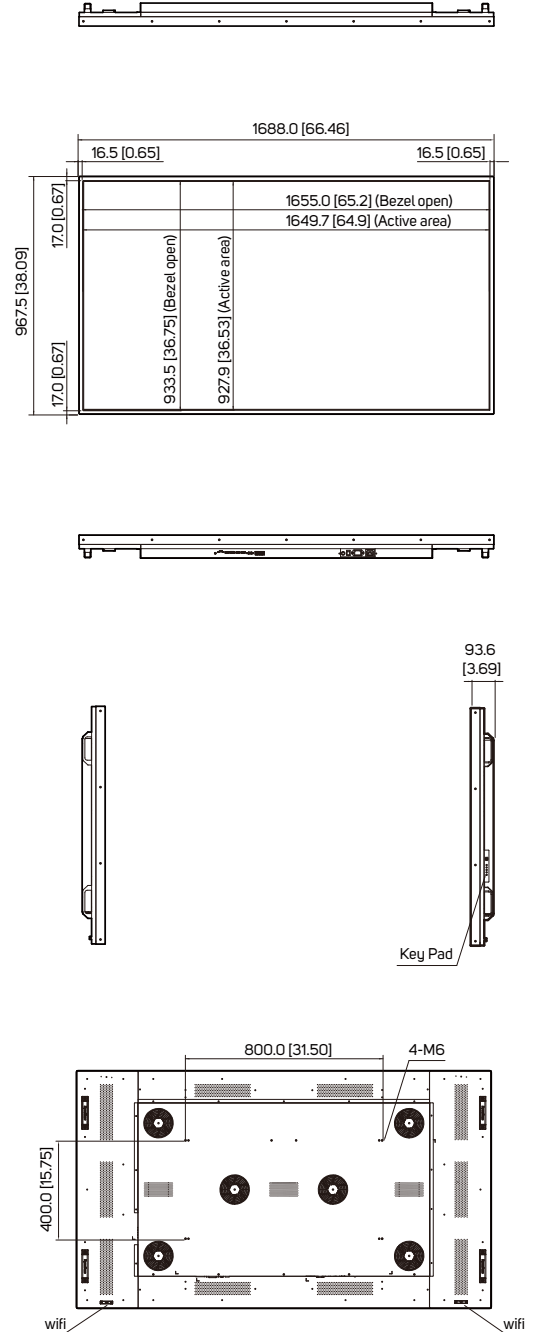
64606 | V1.03

SPECIFICATION

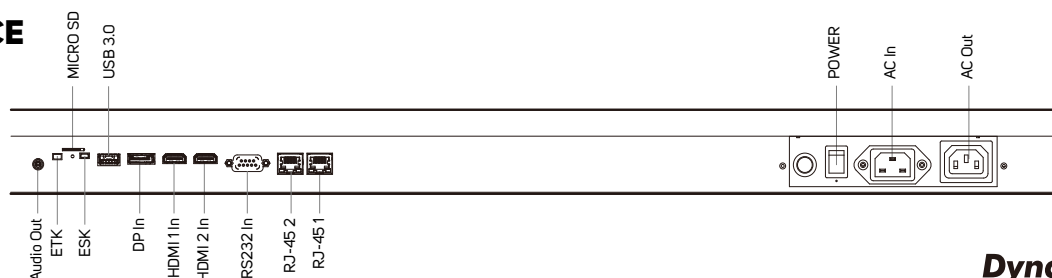
MODEL	DS752LT5				
PANEL	LCD Panel Type	74.52 inches LCD			
	Native Resolution	3840 x 2160			
	Backlight	LED			
	Default Color Temperature	D65 (6500 K)			
	Brightness	4,500 nits			
	Color Depth	10 bits			
	Contrast Ratio	3000 : 1			
	Response Time	8 ms			
	Viewing Angle (H/V)	178° / 178°			
	Light Life Time (Typ.)	100,000 hrs			
POWER	Panel Surface	AG Haze 3%, 2H			
	Blackening Defect Free	Up to 110°C (230°F)			
	Viewable With Polarized Lenses	Yes			
	Power Supply	Internal			
	Rated Voltage	100-240V ~ 50/60Hz			
	Power On Mode (Typ./ Max.)	420 W / 800 W [TBC]			
	Power Saving Mode	< 1W			
	AC out	< 100 W			
	MECHANICAL SPECS	Bezel Width (T/B/L/R)	17.0 / 17.0 / 16.5 / 16.5 mm		
		Cabinet Color	Black		
Monitor Dimension (LxHxD)		1688 x 967.5 x 93.6 mm			
Monitor Weight		58kg			
Orientation		Portrait / Landscape			
VESA Mounting (LxH)		800 x 400 mm			
Carring Handles		Yes			
Language		English			
Support SNMP (Up to V3.0)		Yes			
Dimming Control		Yes			
USER INTERFACE	Proof of Image Retention	Yes			
	Auto Orientation Sensor	Yes			
	Ambient Light Sensor	Yes			
	Power On/Off Scheduling	Yes			
	Internal Temperature Sensor	Yes			
	OSD Menu Rotation	Yes			
	INPUT	HDMI	x2 (2160p)		
		Display Port	x1		
		USB	x1 (USB3.0)		
		Micro SD Slot	x1		
OUTPUT		Audio	x1		
		EXTERNAL CONTROL	RS-232	In x1	
			RJ-45	x2 (LAN)	
			INTERNAL PLAYER	Operating System	Android 8.0.0
				Processor	Dual-core A73 and dual-core A53
				Clock speed	1.5GHz
	Main memory interface			DDR4, 2G	
	Graphics			Quad-core MaliG51	
	Storage			Internal: 16GB eMMC Flash External: Support Micro SD, Up to 32GB(exFAT) /128GB(FAT32)	
	Multimedia			4K 10bits VP9/H265/H264 video decoders, up to 60fps 1080P other video decoders (VC-1, MPEG-1/2/4, VP8)	
Wi-Fi Specification	802.11 b/g/n 2412.0MHz - 2462.0MHz				
ENVIRONMENT	Operating Temperature	0° C ~ 45° C			
	Storage Temperature	-20° C ~ 60° C			
	Humidity	10% ~ 80% RH Non-condensing			
CERTIFICATION	CE / FCC / RoHS				

DIMENSIONS

Unit: mm [inch]



INTERFACE



DynaScan

Assured Systems

Assured Systems is a leading technology company with over 1,500 regular clients in 80 countries, deploying over 85,000 systems to a diverse customer base in 12 years of business. We offer high-quality and innovative rugged computing, display, networking and data collection solutions to the embedded, industrial, and digital-out-of-home market sectors.

US

sales@assured-systems.com

Sales: +1 347 719 4508
Support: +1 347 719 4508

1309 Coffeen Ave
Ste 1200
Sheridan
WY 82801
USA

EMEA

sales@assured-systems.com

Sales: +44 (0)1785 879 050
Support: +44 (0)1785 879 050

Unit A5 Douglas Park
Stone Business Park
Stone
ST15 0YJ
United Kingdom

VAT Number: 120 9546 28
Business Registration Number: 07699660