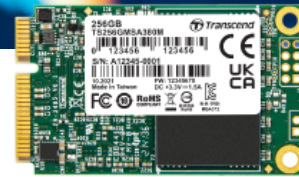




www.transcend-info.com

Embedded Solutions



mSATA SSDs

MSA380M

Supporting the Serial ATA interface and built around a powerful controller, Transcend's SATA III 6Gb/s MSA380M mSATA SSD delivers blazing-fast performance and long-term reliability. The compact mSATA form factor is just one-eighth the size of a standard 2.5" SSD, making it perfect for use in space-constricted portable devices such as Ultrabooks, tablet PCs, and slim servers.

Hardware Features

- Compliant with RoHS 2.0 standards
- MLC NAND flash
- DDR3 DRAM Cache embedded
- Power Shield (PS) to ensure data transfer integrity and minimize data corruption in the drive during an abnormal power outage
- Key components fortified by default with Corner Bond technology

Ordering Information

16GB	TS16GMSA380M
32GB	TS32GMSA380M
64GB	TS64GMSA380M
128GB	TS128GMSA380M
256GB	TS256GMSA380M

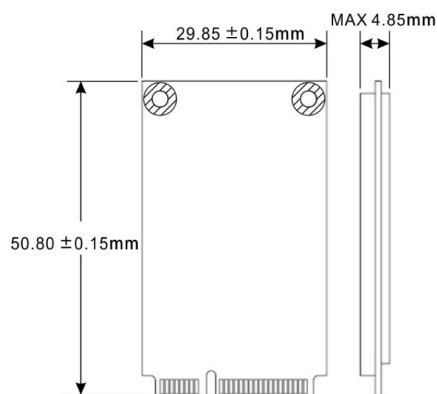
Firmware Features

- NCQ command for better performance
- TRIM command for better performance
- Supports S.M.A.R.T. function to conduct health monitoring, analysis, and reporting for storage devices
- Static Data Refresh
- Built-in BCH ECC (Error Correction Code) functionality

Specifications

Appearance	Dimensions	50.8 mm x 29.85 mm x 4.85 mm (2" x 2.18" x 0.19")
	Weight	8 g (0.28 oz)
	Pin Count	52 pin
	Form Factor	mSATA (MO-300A)
Interface	Bus Interface	SATA III 6Gb/s
Storage	Flash Type	MLC NAND flash
	Capacity	16 GB / 32 GB / 64 GB / 128 GB / 256 GB
Operating Environment	Operating Voltage	3.3V±5%
	Operating Temperature	Standard Temp. 0°C (32°F) ~ 70°C (158°F)
	Storage Temperature	-55°C (-67°F) ~ 85°C (185°F)
	Humidity	5% ~ 95%
	Shock	1500 G, 0.5 ms, 3 axis
Power	Vibration (Operating)	20 G (peak-to-peak), 7 Hz ~ 2000 Hz (frequency)
	Power Consumption (Operation)	1.82 watt(s)
Performance	Power Consumption (Sleep)	0.28 watt(s)
	Sequential Read/Write (CrystalDiskMark)	Read: up to 550 MB/s Write: up to 420 MB/s
	4K Random Read/Write (IOMeter)	Read: up to 70,000 IOPS Write: up to 75,000 IOPS
	Mean Time Between Failures (MTBF)	2,500,000 hour(s)
	Terabytes Written (TBW)	up to 740 TBW
Warranty	Drive Writes Per Day (DWPD)	2.6 (3 yrs)
	Certificate	CE / FCC / BSMI / UKCA
	Warranty	Three-year Limited Warranty

Mechanical Dimensions



Product specifications are subject to change without notice. Pictures shown may differ from actual products. Total accessible capacity varies depending on operating environment. Due to the complexity and variety of industrial applications, Transcend cannot guarantee 100% compatibility with all platforms and under all scenarios. For special applications and environments, it is strongly suggested that you contact Transcend beforehand for clarification.

Assured Systems

Assured Systems is a leading technology company with over 1,500 regular clients in 80 countries, deploying over 85,000 systems to a diverse customer base in 12 years of business. We offer high-quality and innovative rugged computing, display, networking and data collection solutions to the embedded, industrial, and digital-out-of-home market sectors.

US

sales@assured-systems.com

Sales: +1 347 719 4508

Support: +1 347 719 4508

1309 Coffeen Ave
Ste 1200
Sheridan
WY 82801
USA

EMEA

sales@assured-systems.com

Sales: +44 (0)1785 879 050

Support: +44 (0)1785 879 050

Unit A5 Douglas Park
Stone Business Park
Stone
ST15 0YJ
United Kingdom

VAT Number: 120 9546 28

Business Registration Number: 07699660