



Intel Atom® E3900 Series
7" Light Industrial Touch Panel PC

KS070-AL

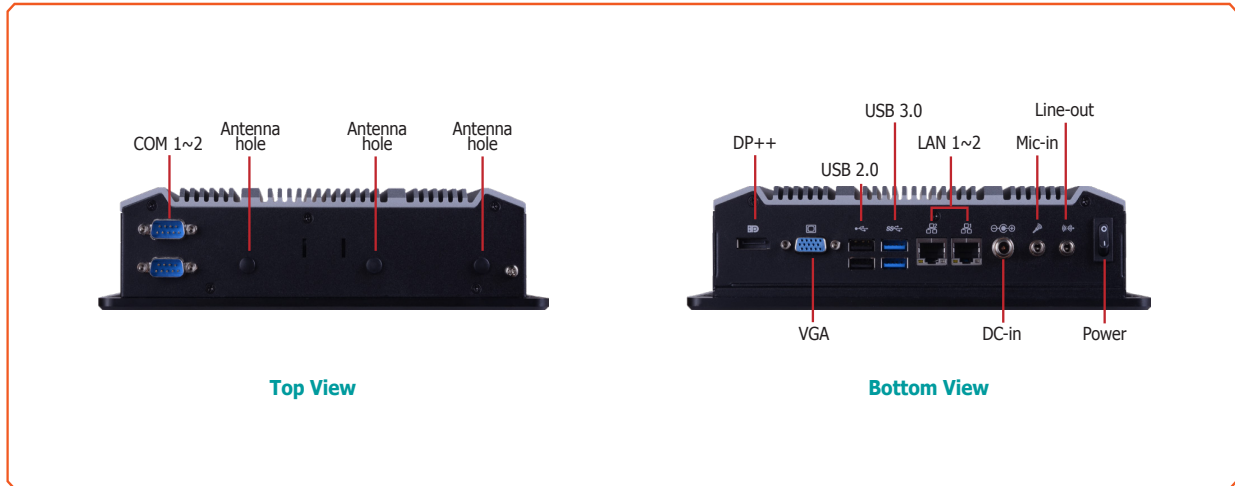


Features

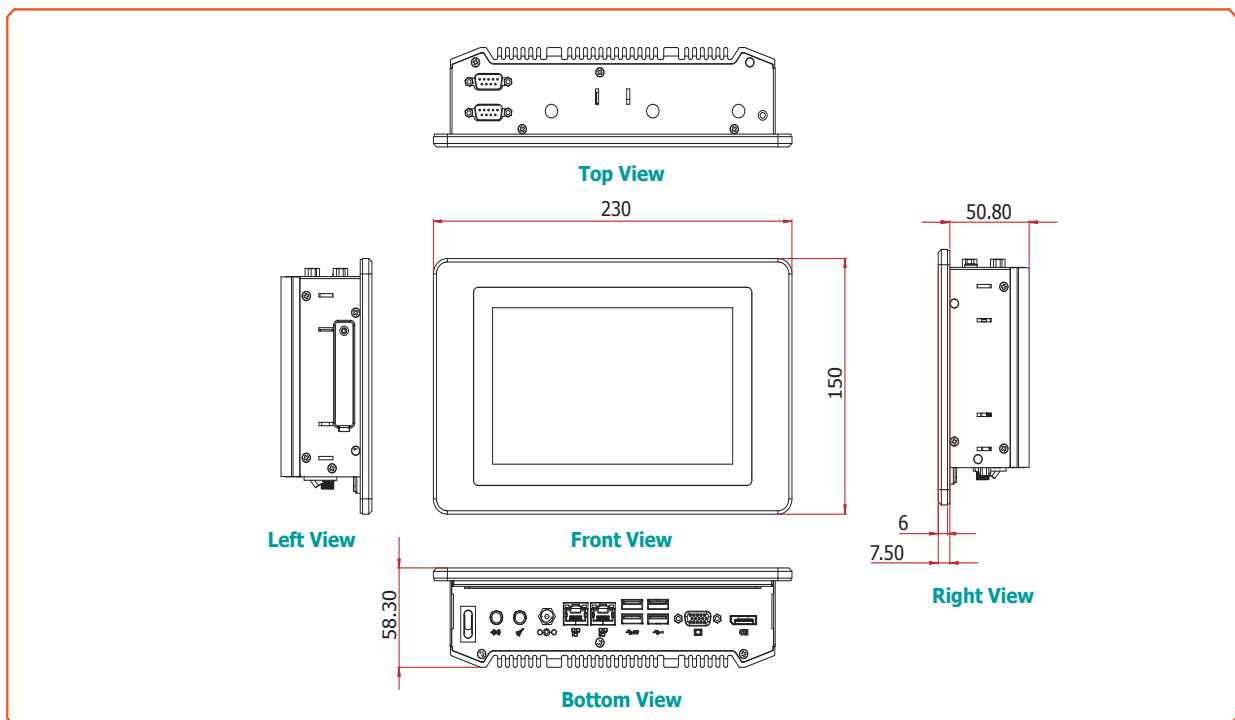
- 7" 800x480 TFT LCD panel with touch screen
- 1x CFast socket for storage
- IP65 front panel protection
- Dual displays: VGA + DP++
- Rich I/O: 2 LAN, 2 COM, 2 USB 3.0, 2 USB 2.0



Panel



Dimensions





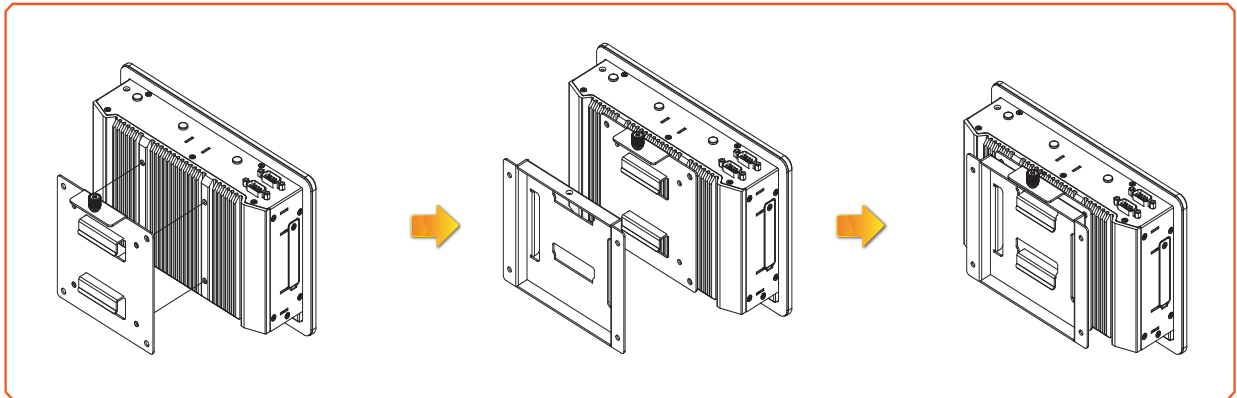
Specifications

SYSTEM	Processor	Intel Atom® Processor E3900 Series, BGA 1296 Intel Atom® x5-E3940 Processor, Quad Core, 2M Cache, 1.6GHz (1.8GHz), 9.5W Intel® Celeron® Processor N3350, Dual Core, 2M Cache, 1.1GHz (2.4GHz), 6W
	Memory	One 204-pin SODIMM up to 8GB Single Channel DDR3L 1866MHz (4GB memory by default)
	BIOS	Insyde SPI 128Mbit
DISPLAY AND TOUCH SCREEN	Display	7" 800x480 TFT LCD Panel with Capacitive/Resistive Touch Screen
	Brightness	500 cd/m ²
	Contrast	400:1
	Backlight Lifetime	50,000 hours
GRAPHICS	Controller	Intel® HD Graphics
	Feature	OpenGL 4.2, Direct X 11.1, OpenCL 1.2, OGL ES 3.0 HW Decode: H.264, MPEG2, VC1, VP8, H.265, MPEG4 HW Encode: H.264, MPEG2, MPEG4
	Display	1 x VGA 1 x DP++ VGA: resolution up to 1920x1200 @ 60Hz DP++: resolution up to 4096x2160 @ 60Hz
	Dual Displays	VGA + DP++
STORAGE		1 x CFast Socket
EXPANSION	Interface	1 x Full-size Mini PCIe (USB/PCIe) 1 x M.2 2242 B-key (PCIe/USB 2.0/SATA 3.0)
AUDIO	Audio Codec	Realtek ALC262
ETHERNET	Controller	2 x Intel® I211AT PCIe (10/100/1000Mbps)
TOP I/O	Serial	2 x RS-232/422/485 (DB-9)
	DIO	1 x 8-bit DIO (DB-9) (available upon request)
	Buttons	1 x Power Button
	Wi-Fi Antenna	3 x Wi-Fi Module Antenna Hole
BOTTOM I/O	Ethernet	2 x GbE (RJ-45) (10/100/1000Mbps)
	USB	2 x USB 3.0 (type A) 2 x USB 2.0 (type A)
	Display	1 x VGA 1 x DP++
	Audio	1 x Line-out 1 x Mic-in
WATCHDOG TIMER	Output & Interval	System Reset, Programmable via Software from 1 to 255 Seconds
POWER	Type	12V DC
	Connector	DC Jack
OS SUPPORT		Windows 10 IoT Enterprise 64-bit
MECHANISM	Construction	Sheet Metal
	IP Rating	IP65 Front Panel Protection
	Mounting	Panel/VESA Mount
	Dimensions (W x H x D)	230mm x 150mm x 58.3mm
	Weight	1.5kg
ENVIRONMENT	Operating Temperature	-20 to 55°C
	Storage Temperature	-30 to 80°C
	Relative Humidity	5 to 85% RH (non-condensing)
STANDARDS AND CERTIFICATIONS	Shock	OP: Half-sine, 3G @ 11ms Non-OP: Half-sine, 5G @ 11ms
		OP: Random, 1Grms @ 5~500Hz, 30min Non-OP: Sweep sine, 3Grms @ 10~500Hz, 30min
	Vibration	
	Certifications	TBD

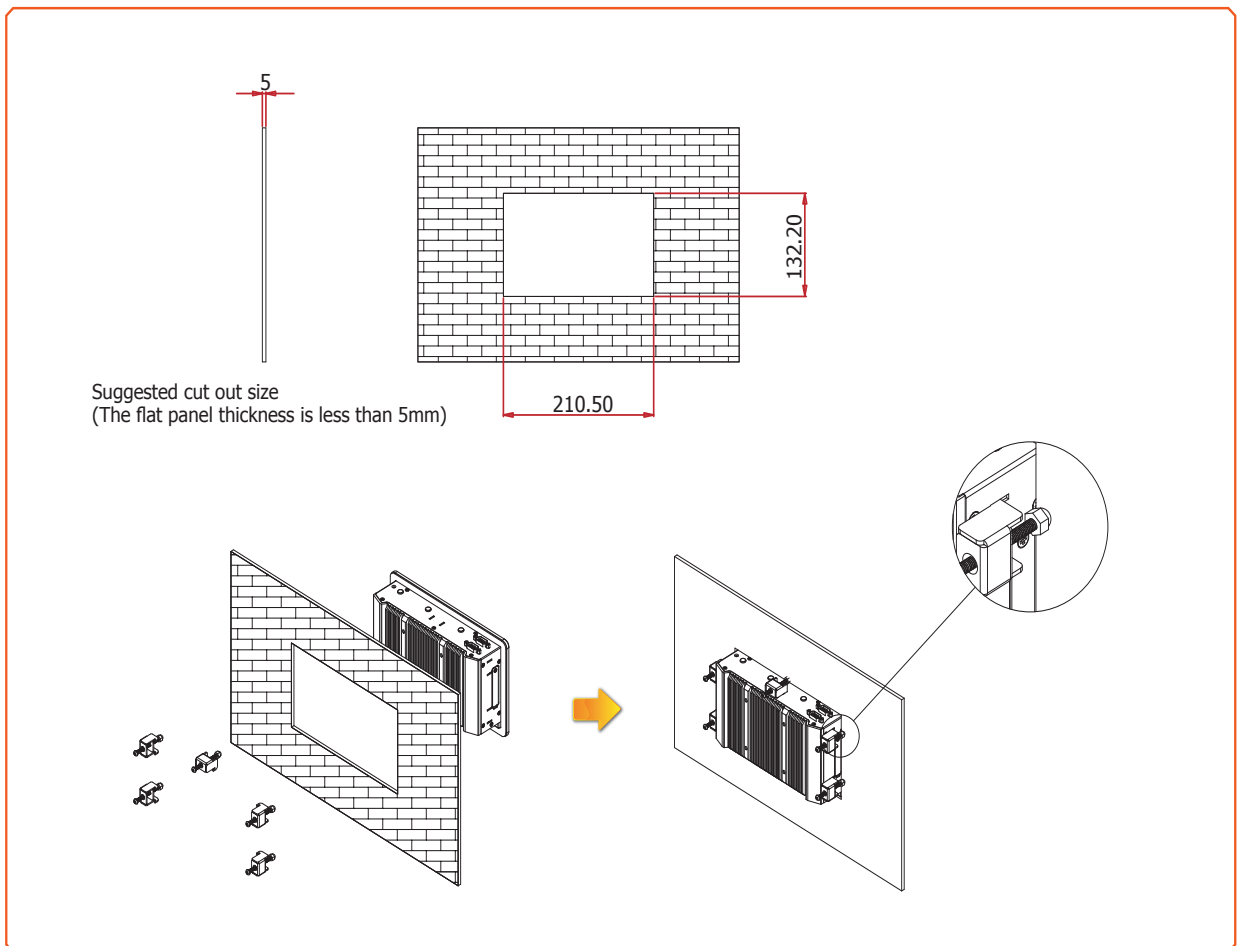


KS070-AL

VESA Mounting



Panel Mounting



KS070-AL



▶ **Ordering Information**

Model Name	Part Number	Description
KS070-ALE39P	750-KS070A-000G	7" Panel PC, Intel Atom® x5-E3940, 4GB Memory, Capacitive Touch
KS070-ALN33P	750-KS070A-100G	7" Panel PC, Intel® Celeron® Processor N3350, 4GB Memory, Capacitive Touch
KS070-ALN33R	750-KS070A-200G	7" Panel PC, Intel® Celeron® Processor N3350, 4GB Memory, Resistive Touch

▶ **Optional Items**

Optional Items	Part Number	Description
Wi-Fi	761-110091-000G	Wi-Fi kit, RoHS
Power Cord	785-PWRD	Power cord, Standards (USA/EUR/CH), 1.8m, RoHS
Power Adapter	671-106012-000G	60W, 12V/5A, Level 6, RoHS
Panel Mount	761-KS2020-000G	7" Panel PC Panel Mount Kit, RoHS

785-XXX is a group number instead of a unique part number. Please contact your regional sales representative if you need more information.

▶ **Packing List**

• 1 KS070-AL Touch Panel PC
• 1 Poron foam
• 1 Chassis Panel Mount Bracket
• 1 Quick Installation Guide
• 1 CD disk includes:
- Manual

Assured Systems

Assured Systems is a leading technology company with over 1,500 regular clients in 80 countries, deploying over 85,000 systems to a diverse customer base in 12 years of business. We offer high-quality and innovative rugged computing, display, networking and data collection solutions to the embedded, industrial, and digital-out-of-home market sectors.

US

sales@assured-systems.com

Sales: +1 347 719 4508
Support: +1 347 719 4508

1309 Coffeen Ave
Ste 1200
Sheridan
WY 82801
USA

EMEA

sales@assured-systems.com

Sales: +44 (0)1785 879 050
Support: +44 (0)1785 879 050

Unit A5 Douglas Park
Stone Business Park
Stone
ST15 0YJ
United Kingdom

VAT Number: 120 9546 28
Business Registration Number: 07699660