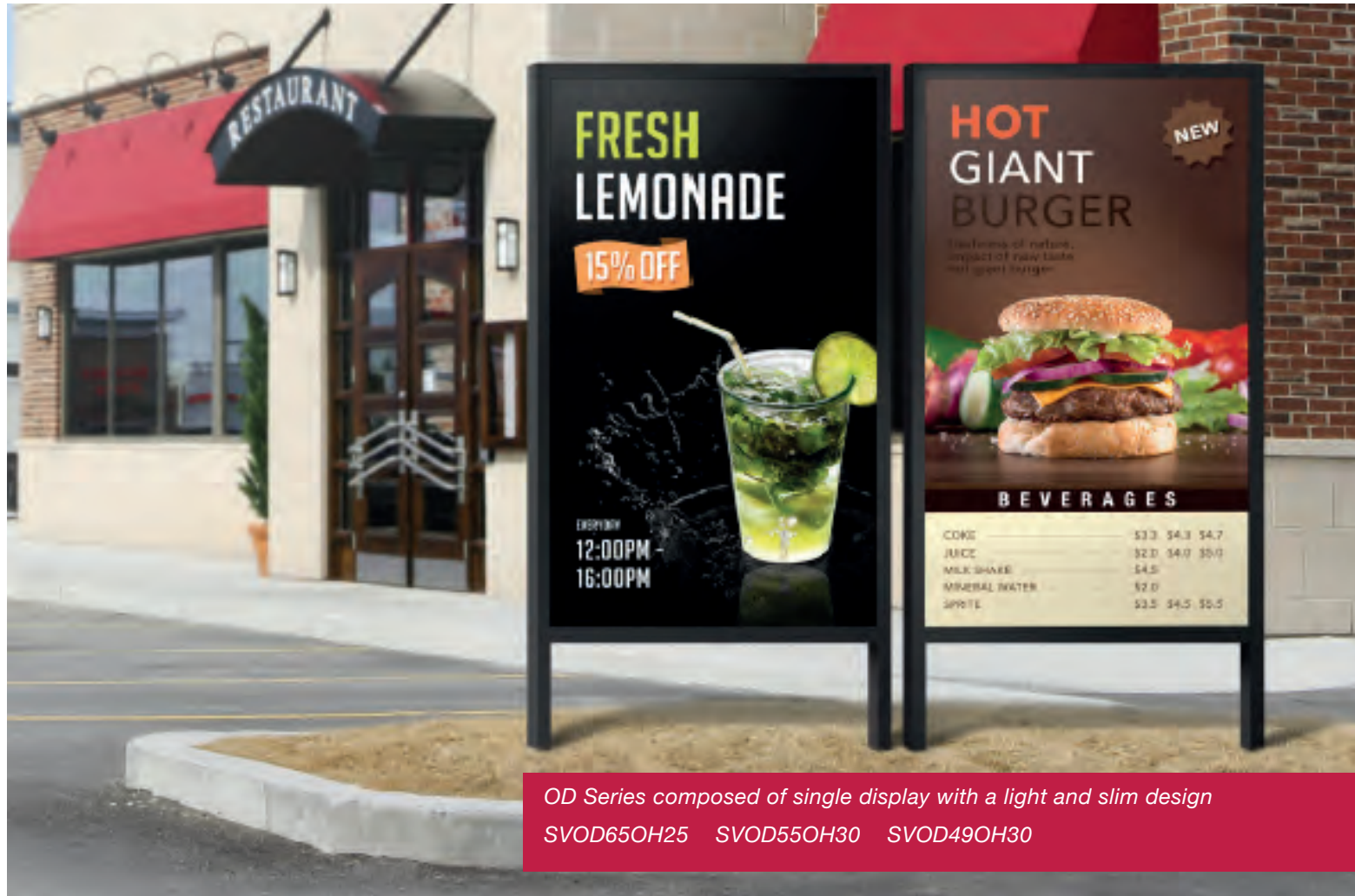




SVXE4F Series

*Outdoor Display OD Series
Slim & Light Design*



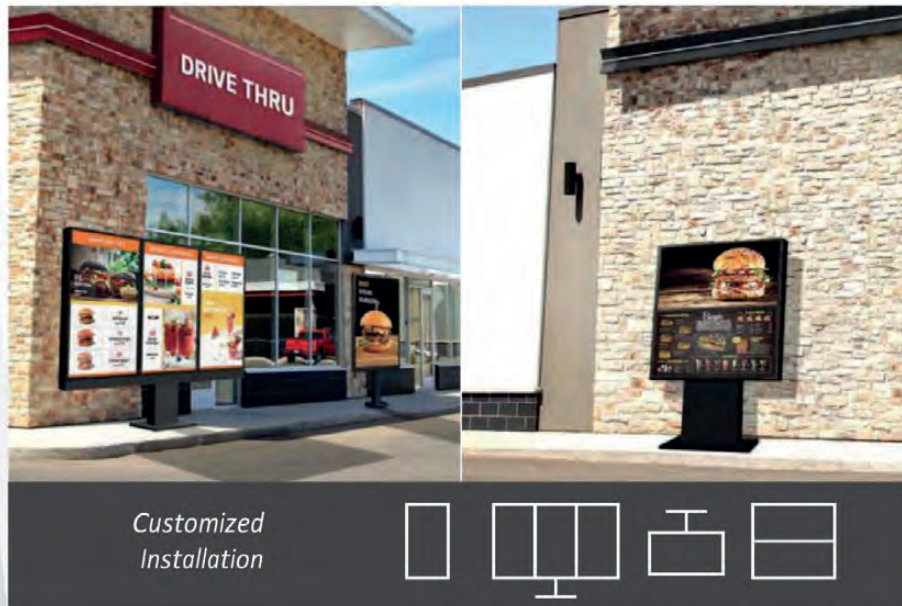
*OD Series composed of single display with a light and slim design
SVOD65OH25 SVOD55OH30 SVOD490H30*

SUREVIEW



Easy integration for partner's customized design

Because the OD Series is significantly thinner and lighter than previous designs, it is mount-ready and can be more easily customized for a variety of applications.



Customized Installation



SUREVIEW



Outdoor Display OD Series

SVOD65OH25

SVOD55OH30

SVOD490H30

Bright & Brilliant

The OD series possess powerful brightness of 3000 nits, providing clear and vivid picture quality even under direct sunlight.

Wide Viewing Angle

IPS technology provides better control of the liquid crystals, which in turn allows the screen to be viewed at virtually any angle.



SUREVIEW



Energy-Efficient Performance

Through advanced thermal control functionality and a filter-free design, the OD Series displays operate at reduced energy consumption. An integrated heat exchanger modifies signage resources depending on the environment, and ultimately cuts costs for operators.



Visible with Polarized Sunglasses

Quarter Wave Plate technology in this display enables clear visibility even when the viewer is wearing polarized sunglasses.

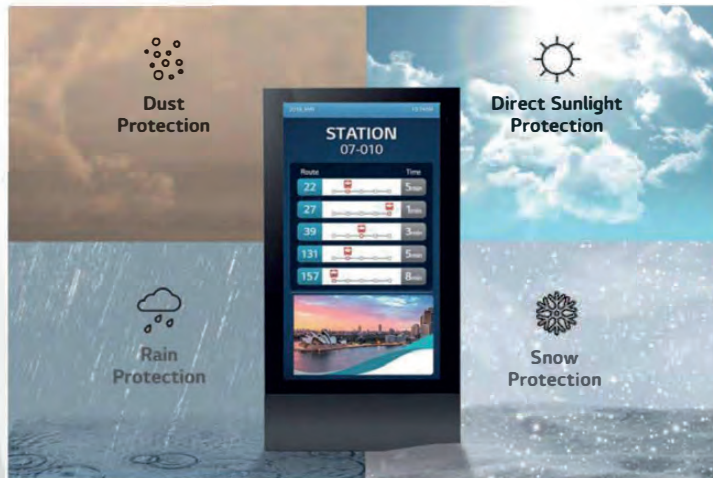


SUREVIEW



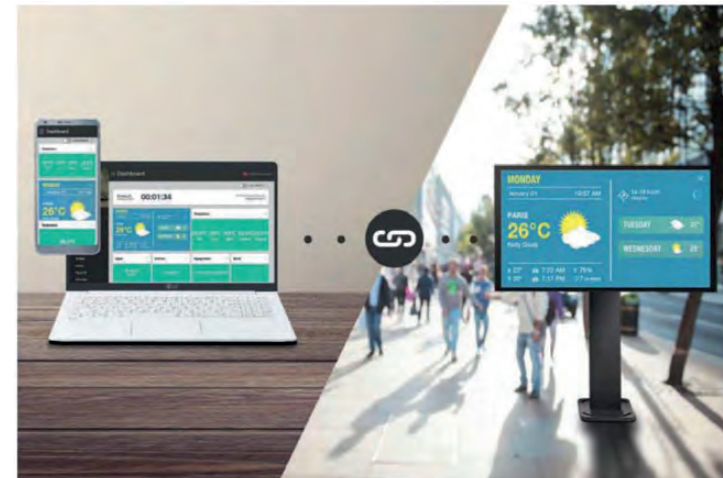
Operate Reliably in Virtually any Environment

Each OD Series display undergoes rigorous IP56 ingress defense testing to ensure resistance to dust, heat, moisture and other environmental variables that can impede operations. This includes an integrated self-cooling system that keeps the OD Series displays running in temperatures ranging from -30°C (-22°F) to 50°C (122°F). In turn, operators can feel confident in the displays' ability to perform 24/7, and without requiring expensive external cooling systems or security measures.



Web Monitoring

The embedded web monitoring allows a variety of parameters to be diagnosed in real time using temperature, pixel, door, ambient light and gyro sensors. It can be easily controlled at all times.



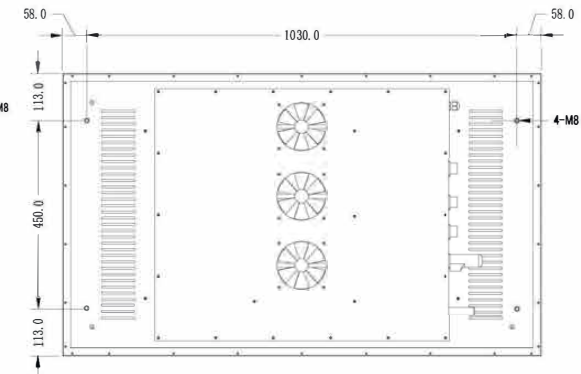
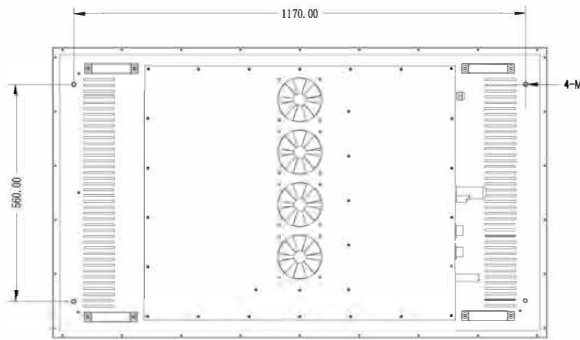
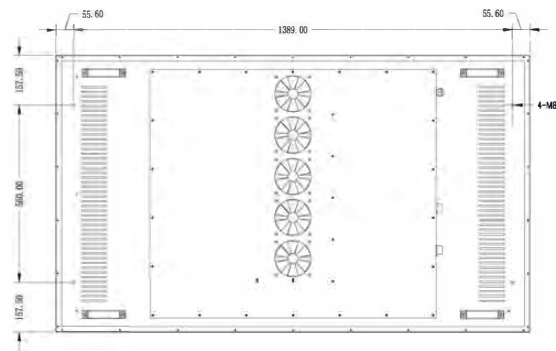
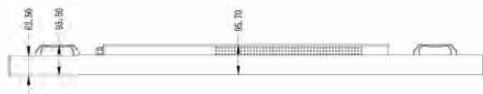
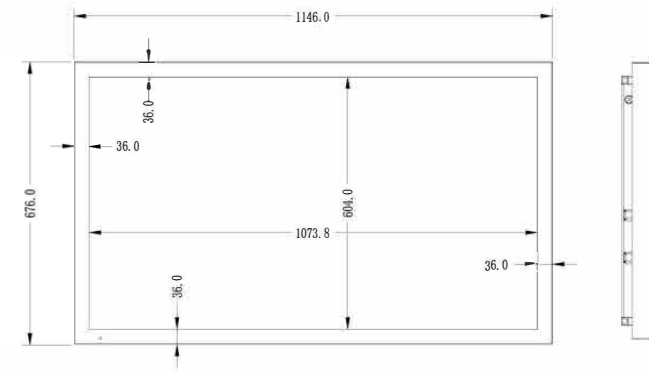
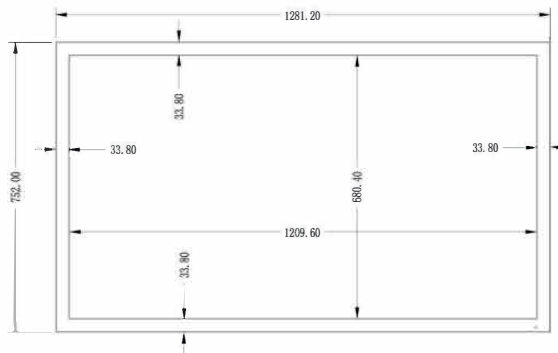
SUREVIEW



SVOD650H30

SVOD550H30

SVOD490H30



SPECIFICATIONS

SVOD65OH25 SVOD55OH30 SVOD49OH30



MODEL		OD65OH25	OD55OH30	OD49OH30	
Panel	Diagonal Size	Class	65	55	49
		Measured	64.53" / 163.9cm	54.6" / 138.7cm	48.5" / 123.2cm
	Resolution		3840x2160 (16:9)	1920x1080 (16:9)	1920x1080 (16:9)
	Pixel Pitch(mm)		0.372 x 0.372	0.630 x 0.630	0.559 x 0.559
	Active Display Area(mm)		1428.48(H) x 803.52(V)	1209.60(H) x 680.40(V)	1073.78(H) x 604.00(V)
	Brightness(Typ.)		2,500 cd/m2	3,000 cd/m2	3,000 cd/m2
	Contrast Ratio		1,200:1	1,000:1	1,300:1
	Viewing Angle(H/V)		178/178	178/178	178/178
	Display Colors		8 bit - 1.07B	8 bit - 16.7M	8 bit - 16.7M
	Color Gamut		72%	72%	72%
	Operation Hour		7*24	7*24	7*24
	Haze		1%	2%	2%
Display	Dynamic C/R	100,000:1	100,000:1	100,000:1	
Sound	Speaker Type	N/A	N/A	N/A	
Power	Power Supply	AC 100 - 240 V~ (+/- 10 %),	AC 100 - 240 V~ (+/- 10 %),	AC 100 - 240 V~ (+/- 10 %),	
		50/60 Hz	50/60 Hz	50/60 Hz	
	Max[W/h]	600	298	248	
Mechanical Spec	Dimension (mm)	Set	1500.2 x 875.0 x 95.7 mm	1281.2 x 752.0 x 95.5 mm	1146.0 x 676.0 x 95.5 mm
		Package	1620 x 1120 x 460 mm	1410 x 1000 x 260 mm	1270 x 920 x 260 mm
	Weight (kg)	Set	60.0 kg	49.0kg	46.0 kg
		Package	96.0 kg	78.0kg	70.0 kg
	Mounting Hole		1389 x 560 (Basic) 1400 x 400 (VESA Bracket Option)	1170 x 560 (Basic) 1200 x 400 (VESA Bracket Option)	1030 x 450 (Basic) 1100 x 400 (VESA Bracket Option)
	Protection Glass		5mm	5mm	5mm
Bezel Width (mm)		Even 33.8 mm	Even 33.8 mm	Even 36.0 mm	
Operation	Operating Temperature		-30°C~ 50°C	-30°C~ 50°C	-30°C~ 50°C
	Humidity		10~100% (Non-condensing)	10~100% (Non-condensing)	10~100% (Non-condensing)
	IP Certificate		IP56	IP56	IP56
Internal Player (Embedded H/W)	Processor Core		Rockchip RK3288 Coretex A17 1.8GHz	Rockchip RK3288 Coretex A17 1.8GHz	Rockchip RK3288 Coretex A17 1.8GHz
	Memory Interface		HYNIX DDR3 2GB	HYNIX DDR3 2GB	HYNIX DDR3 2GB
	Storage		8GB	8GB	8GB
	Operating System		Android 7.1	Android 7.1	Android 7.1
	Multimedia Video Decoder		MPEG-1/2/4, H.264, WMV, WKV, TS, FLV	MPEG-1/2/4, H.264, WMV, WKV, TS, FLV	MPEG-1/2/4, H.264, WMV, WKV, TS, FLV
			JPEG, PNG, BMP, PNG, GIF	JPEG, PNG, BMP, PNG, GIF	JPEG, PNG, BMP, PNG, GIF
		MP3	MP3	MP3	

Assured Systems

Assured Systems is a leading technology company with over 1,500 regular clients in 80 countries, deploying over 85,000 systems to a diverse customer base in 12 years of business. We offer high-quality and innovative rugged computing, display, networking and data collection solutions to the embedded, industrial, and digital-out-of-home market sectors.

US

sales@assured-systems.com

Sales: +1 347 719 4508
Support: +1 347 719 4508

1309 Coffeen Ave
Ste 1200
Sheridan
WY 82801
USA

EMEA

sales@assured-systems.com

Sales: +44 (0)1785 879 050
Support: +44 (0)1785 879 050

Unit A5 Douglas Park
Stone Business Park
Stone
ST15 0YJ
United Kingdom

VAT Number: 120 9546 28
Business Registration Number: 07699660