



PROLITE TF1934MC-B7X



10pt touch Open Frame monitor with IPS panel and touch through glass function

ProLite TF1934MC-B7X uses Projective Capacitive touch technology, built into an eye catching bezel with edge-to-edge glass. Featuring IPS LCD screen technology, it offers exceptional colour performance and wide viewing angles, making it a perfect interactive display for Interactive Digital Signage. In addition to the superb image quality, the screen comes with an IP65 Rating, making it dust and water resistant. Equipped with a rugged bezel making it suitable for demanding environments. The ProLite TF1934MC-B7X is the ideal screen for the kiosk integrators and a solution for Interactive Digital Signage, Instore Retail, Gaming and Interactive Presentations. For ease of integration, the TF1934MC-B7X can be equipped with optional external mounting brackets ([OMK1-1](#)) making it an ideal solution for kiosk integrators and Instore Retail.



IPS Technology

IPS displays are best known for wide viewing angles and natural, highly accurate colours. They are especially suited for colour-critical applications.



Touch through-glass

This through glass touch screen works right through glass and can turn glass surfaces into an interactive touch screen display. Use it on storefront windows, real estate office, in-store for POS or restaurants.

01 DISPLAY CHARACTERISTICS

Design	Open Frame
Diagonal	19", 48cm
Panel	IPS LED
Native resolution	1280 x 1024 (1.3 megapixel)
Aspect ratio	5:4
Panel brightness	350 cd/m ²
Brightness	315 cd/m ² with touch
Light transmittance	90%
Static contrast	1000:1 with touch
Response time (GTG)	14ms
Viewing zone	horizontal/vertical: 178°/178°, right/left: 89°/89°, up/down: 89°/89°
Colour support	16.7mln
Horizontal Sync	31.4 - 80kHz
Viewable area W x H	376.5 x 301.1mm, 14.8 x 11.9"
Pixel pitch	0.294mm
Bezel colour and finish	black, matte

02 TOUCH

Touch technology	projective capacitive
Touch points	10 (HID, only with supported OS)
Touch method	stylus, finger, glove (latex)
Touch interface	USB
Supported operating systems	All iiyama monitors are Plug & Play and compatible with Windows and Linux. For details regarding the supported OS for the touch models, please refer to the driver instruction file available in the downloads section.
Through-Glass	6mm
Palm rejection	yes

03 INTERFACES / CONNECTORS / CONTROLS

Analog signal input	VGA x1
Digital signal input	HDMI x1 DisplayPort x1
HDCP	yes

04 FEATURES

Extra	anti-fingerprint coating, touch through-glass
Water and dust protection	IP65 (front)
OSD key lock	yes

05 GENERAL

OSD languages	EN, DE, FR, ES, IT, CN, JP
Control buttons	Menu, Scroll up/ Brightness, Scroll down/ Contrast, Select, Power
User controls	picture (contrast, brightness, H.position, V.position, phase, clock, auto adjust), advanced (color temp., sharpness), OSD (time out, position, H-position, V-position, touch switch), option (reset, language, source select, display mode, factory)

05.01.2023 15:36:02

Plug&Play	DDC2B
-----------	-------

06 MECHANICAL

Orientation	landscape, portrait, face-up
VESA mounting	100 x 100mm

07 ACCESSORIES INCLUDED

Cables	power, USB, HDMI, DP
Guides	quick start guide, safety guide
Other	AC adapter, Touch Panel Driver Disk (CD-ROM)
Cable cover	yes

08 POWER MANAGEMENT

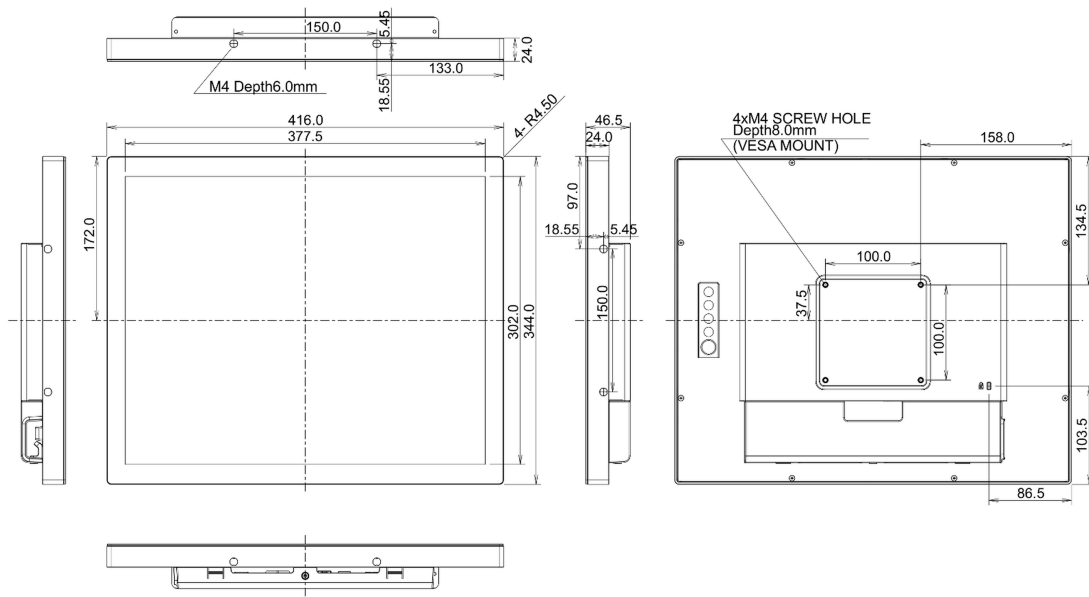
Power supply unit	external
Power supply	DC 12 V
Power usage	21W typical, 1.5W stand by, 1.5W off mode

09 SUSTAINABILITY

Regulations	CE, EAC, RoHS support, ErP, WEEE, cULus, REACH
Energy efficiency class (Regulation (EU) 2017/1369)	F
REACH SVHC	above 0.1%: Lead

10 DIMENSIONS / WEIGHT

Product dimensions W x H x D	416 x 344 x 46.5mm
Box dimensions W x H x D	16.4 x 13.5 x 1.8mm
Weight (without box)	4.4kg
EAN code	4948570118403



All trademarks and registered trademarks acknowledged. E & O E. Specification subject to change without notice. All LCD's comply with ISO-9241-307:2008 in connection with pixel defects.

© IIYAMA CORPORATION. ALL RIGHTS RESERVED

Assured Systems

Assured Systems is a leading technology company with over 1,500 regular clients in 80 countries, deploying over 85,000 systems to a diverse customer base in 12 years of business. We offer high-quality and innovative rugged computing, display, networking and data collection solutions to the embedded, industrial, and digital-out-of-home market sectors.

US

sales@assured-systems.com

Sales: +1 347 719 4508
Support: +1 347 719 4508

1309 Coffeen Ave
Ste 1200
Sheridan
WY 82801
USA

EMEA

sales@assured-systems.com

Sales: +44 (0)1785 879 050
Support: +44 (0)1785 879 050

Unit A5 Douglas Park
Stone Business Park
Stone
ST15 0YJ
United Kingdom

VAT Number: 120 9546 28
Business Registration Number: 07699660