

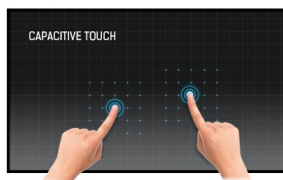


PROLITE T2254MSC-B1AG



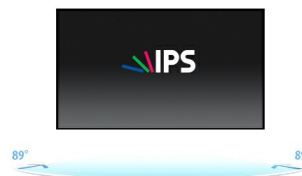
**21.5" P-CAP 10pt touch screen featuring IPS panel technology and Anti Glare coating**

With its Full HD (1920x1080) resolution and accurate Projective Capacitive 10 point touch technology, the ProLite T2254MSC-B1AG delivers seamless and accurate touch response. Featuring IPS LCD screen technology, it offers exceptional colour performance and wide viewing angles, making it a perfect choice for a vast array of interactive applications. The Anti Glare coating helps to avoid issues with reflections and external light sources affecting colour reproduction, contrast and sharpness. Its flexible stand can be positioned at several angles creating a comfortable and ergonomic user experience. The ProLite T2254MSC-B1AG is the ideal solution for interactive signage, instore retail, POS and interactive presentations.



**Touch technology - Capacitive**

This technology uses a sensor-grid of micro-fine wires integrated into the glass that covers the screen. Touch is detected because electrical characteristics of the sensor grid change when human finger is placed on the glass. Thanks to the glass overlay this technology is highly durable, and the touch function remains unaffected even if the glass is scratched. It offers perfect picture performance and will work with human finger (also latex gloved) and stylus-pen.



**IPS**

IPS displays are best known for wide viewing angles and natural, highly accurate colours. They are especially suited for colour-critical applications.

## 01 DISPLAY CHARACTERISTICS

|                         |   |
|-------------------------|---|
| Design                  | Ultra thin bezel  |
| Diagonal                | 21.5", 54.6cm   |
| Panel                   | IPS LED, AG surface finish  |
| Native resolution       | 1920 x 1080 @60Hz (2.1 megapixel Full HD)                             |
| Aspect ratio            | 16:9  |
| Panel brightness        | 250 cd/m <sup>2</sup>   |
| Static contrast         | 1000:1  |
| Advanced contrast       | 50M:1   |
| Response time (GTG)     | 4ms   |
| Viewing zone            | horizontal/vertical: 178°/178°, right/left: 89°/89°, up/down: 89°/89° |
| Colour support          | 16.7mln 8bit  |
| Horizontal Sync         | 30 - 83kHz  |
| Viewable area W x H     | 476.06 x 267.79mm, 18.7 x 10.5"                                       |
| Pixel pitch             | 0.274mm   |
| Bezel colour and finish | black, matte  |

## 02 TOUCH

|                             |   |
|-----------------------------|---|
| Touch technology            | projective capacitive   |
| Touch points                | 10 (HID, only with supported OS)  |
| Touch accuracy              | + 2mm   |
| Touch method                | stylus, finger, glove (latex)   |
| Touch interface             | USB   |
| Supported operating systems | All iiyama monitors are Plug & Play and compatible with Windows and Linux. For details regarding the supported OS for the touch models, please refer to the driver instruction file available in the downloads section. |

## 03 INTERFACES / CONNECTORS / CONTROLS

|                      |                                   |
|----------------------|-----------------------------------|
| Digital signal input | HDMI x1<br>DisplayPort x1         |
| Audio output         | Mini jack x1<br>Speakers 2 x 2.5W |
| HDCP                 | yes                               |
| USB HUB              | x2 (v.3.0)                        |

## 04 FEATURES

|              |     |
|--------------|-----|
| OSD key lock | yes |
|--------------|-----|

## 05 GENERAL

|                    |  |
|--------------------|--|
| OSD languages      | EN, DE, FR, ES, IT, PT, RU, JP, NL, PL   |
| Control buttons    | Power, menu, +, -, exit  |
| User controls      | Luminance (contrast, brightness, i-Style Color, adv. contrast, Eco), Image settings (Aspect ratio), Color settings (gamma, 6-axis, color temp), OSD (OSD horizontal position, OSD vertical position, OSD time, language), Extra (reset, DDC/CI, signal select, OverDrive, logo, information) |
| Convenience        | Kensington-lock™ prepared  |
| Blue light reducer | yes  |

|              |       |
|--------------|-------|
| Flicker free | yes   |
| Plug&Play    | DDC2B |

## 06 MECHANICAL

|                   |                                   |
|-------------------|-----------------------------------|
| Height adjustment | 343mm                             |
| Tilt angle        | 89° up; 3.5° down                 |
| VESA mounting     | 100 x 100mm                       |
| MTBF              | 50000 hours (excluding backlight) |

## 07 ACCESSORIES INCLUDED

|        |                                 |
|--------|---------------------------------|
| Cables | power, USB, HDMI                |
| Guides | quick start guide, safety guide |

## 08 POWER MANAGEMENT

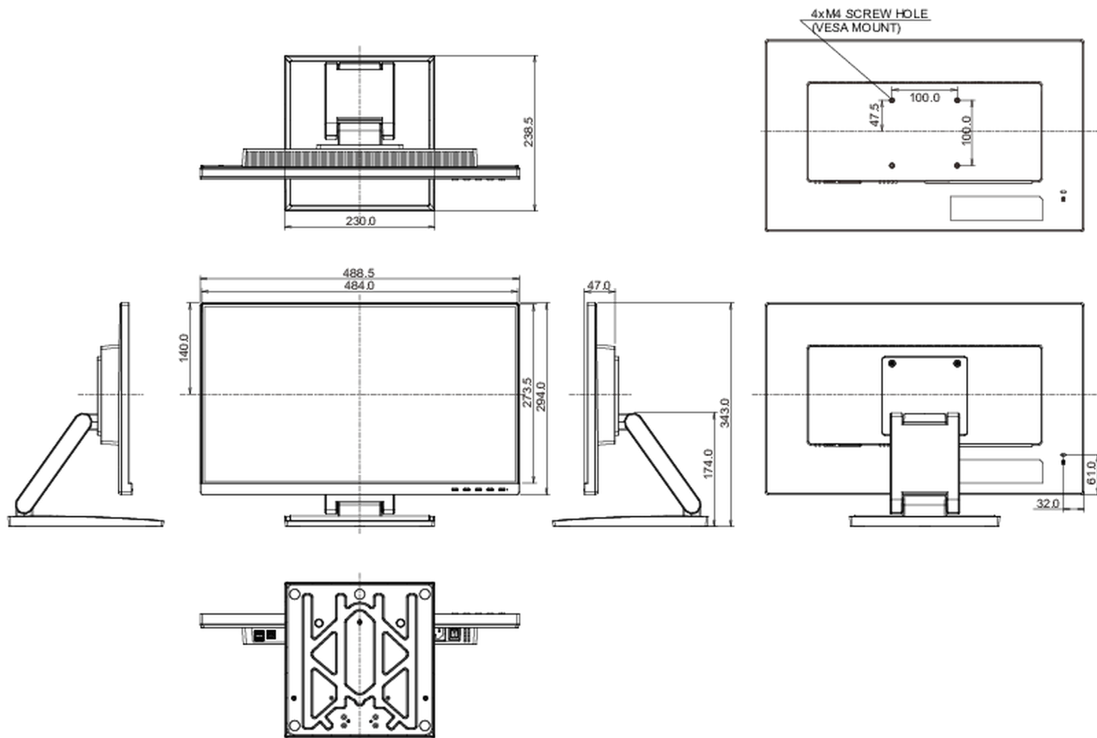
|                   |   |
|-------------------|---|
| Power supply unit | internal                                  |
| Power supply      | AC 100 - 240V, 50/60Hz                    |
| Power usage       | 19W typical, 0.5W stand by, 0.3W off mode |

## 09 SUSTAINABILITY

|   |  |
|---|--|
| Regulations   | CE, EAC, RoHS support, ErP, WEEE, REACH, ENERGY STAR <sup>®</sup> , UKCA |
| Energy efficiency class (Regulation (EU) 2017/1369) | E  |
| REACH SVHC  | above 0.1%: Lead   |

## 10 DIMENSIONS / WEIGHT

|                              |                       |
|------------------------------|-----------------------|
| Product dimensions W x H x D | 488.5 x 343 x 238.5mm |
| Box dimensions W x H x D     | 599 x 389 x 174mm     |
| Weight (without box)         | 4.9kg                 |
| Weight (without stand)       | 2.7kg                 |
| Weight (with box)            | 6.9kg                 |
| EAN code                     | 4948570121212         |



All trademarks and registered trademarks acknowledged. E & O E. Specification subject to change without notice. All LCD's comply with ISO-9241-307:2008 in connection with pixel defects.

© IIYAMA CORPORATION. ALL RIGHTS RESERVED

## Assured Systems

Assured Systems is a leading technology company with over 1,500 regular clients in 80 countries, deploying over 85,000 systems to a diverse customer base in 12 years of business. We offer high-quality and innovative rugged computing, display, networking and data collection solutions to the embedded, industrial, and digital-out-of-home market sectors.

### US

[sales@assured-systems.com](mailto:sales@assured-systems.com)

Sales: +1 347 719 4508  
Support: +1 347 719 4508

1309 Coffeen Ave  
Ste 1200  
Sheridan  
WY 82801  
USA

### EMEA

[sales@assured-systems.com](mailto:sales@assured-systems.com)

Sales: +44 (0)1785 879 050  
Support: +44 (0)1785 879 050

Unit A5 Douglas Park  
Stone Business Park  
Stone  
ST15 0YJ  
United Kingdom

VAT Number: 120 9546 28  
Business Registration Number: 07699660