



W10IB3S-GSH2

10.1" Intel® Celeron® N2930 G-WIN GS-Series Full IP65 PCAP Panel PC



KEY FEATURES

- 10.1" 1280 x 800 Resolution with Projected Capacitive Multi-Touch (P-CAP)
- Intel® Celeron® Bay Trail-M N2930 1.83 GHz
- Fanless cooling system and ultra-low power consumption
- Edge-to-edge design
- Full IP65 design with Special M12 Waterproof connectors
- 1 x LAN, 1 x RS232, 1 x USB 2.0

INTRODUCTION

Winmate G-WIN GS Series Panel PC Series is engineered for demanding industrial applications, offering sizes from 7" to 15" with a fanless cooling system and ultra-low power consumption. These robust Panel PCs feature edge-to-edge design, PCAP multi-touch screens, and full IP65 protection with waterproof M12 connectors, ensuring resistance to water, dust, and harsh conditions. With versatile I/O options, rugged durability, and sleek functionality, they are ideal for manufacturing, outdoor kiosks, and other challenging environments.

OVERVIEW



Easy-to-Clean Flat Surface

Winmate's Flat aluminum display goes beyond that of the standard industrial panel computers with its elegant, edge-to-edge design. The Panel PC is easy to clean, plus the screen is resistant to water and liquid droplets.

Dust and Water Protection

The dust and waterproof Panel PC complies with IP65 standards. Plus, the M12 connectors are waterproof for varying industrial environments.





Fanless Cooling System

The fanless design eliminates dust circulation for improved product longevity – especially in heavy-duty applications where dusty conditions are prevalent.

Comprehensive I/O Ports

Combining ruggedness with a range of I/O ports makes this device highly usable for heavy-duty industrial applications. Plus, the waterproof connectors come with screw-on caps for added protection.



Anti-Shock and Vibration

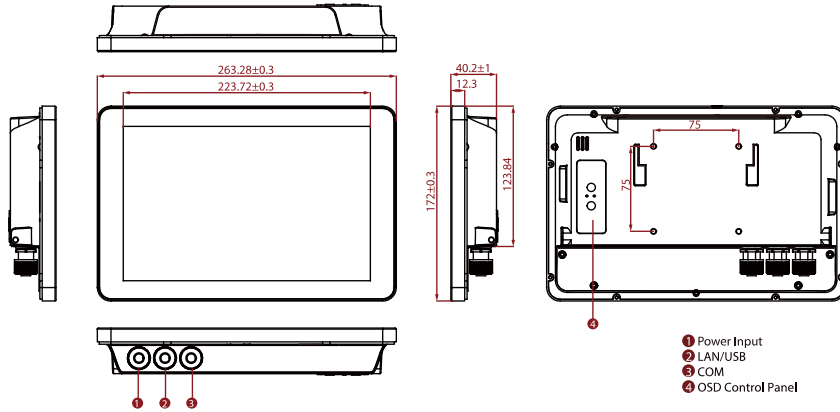
The G-Win series is as tough as it gets. The Panel PCs are compliant with MIL-STD-810G, and the aluminum die-casting is rock solid. Plus, optical bonding technology with anti-moisture treatment and resistive coating ensure the screen and housing are both rugged to the max.

SPECIFICATIONS

Display			
Resolution	1280x800	Size	10.1 inches
Contrast Ratio	800:1	Panel Brightness	350.0 nits
View Angles	85,85,85,85	Active Area	216.96x135.6 mm
Touch / Glass	Projected Capacitive Multi Touch Screen Protection Glass (Optional)		
System Specification			
Processor	Intel Celeron N2930 1.83GHz (up to 2.16GHz)	Memory	1 x SO-DIMM, DDR3L 1600 MHz, 4GB 8GB (Optional)
Storage	1 x mSATA SSD 128GB 256GB (Optional) 512GB (Optional)	Ethernet controller	2 x Intel® Ethernet Controller
Operating System	Windows 10 IoT Enterprise (64 bit) (Optional) Linux Ubuntu 20.04 (Optional)	WLAN	Support (Optional)
BT	Support (Optional)		
Environment			
Operating Humidity	10% to 95% RH	Operating Temperature	-15~55°C
Storage Temperature	-30°C to 60°C	Shock	40g for 11ms
Vibration	1.48/1.90/2.24 g rms for XYZ/ 5-500Hz	IP rating	IP65, Dustproof and Waterproof
Certification			
Certification	CE, FCC Compliant with MIL-STD-810F/G for vibration / shock		
IO Ports			
USB Port	1 x USB 2.0 (M12 type)	Serial Port	1 x RS232 (M12 type)(Optional 422/485)
LAN	1 x LAN-10/100/1000 (M12 type)	Indicator	1 x LED Indicator for power 1 x LED Indicator for storage
Mechanical			
Dimension	263.28 x 172 x 40.2 mm	Mounting	VESA Mount/ Panel Mount
Enclosure	Aluminum	Cooling System	Fanless Design
Power			
Power Rating	9-36V DC (M12 type)		
Accessory			
Accessory	Quick Start Guide (Hardcopy) M12 Power Cable M12 Serial Interface Cable M12 USB/ LAN Cable I/O Protective Cap x 3		
Control			
Button	1 x Power Button 1 x Reset Button		



DIMENSIONS UNIT:MM



NOTE

1. This is a simplified drawing and some components are not marked in detail.
2. Please contact our sales representative if you need further product information.
3. All specifications are subject to change without prior notice.
4. The product shown in this datasheet is a standard model. For diagrams that contain customized or optional I/O, please contact the Winmate Sales Team for more information.

Assured Systems

Assured Systems is a leading technology company with over 1,500 regular clients in 80 countries, deploying over 85,000 systems to a diverse customer base in 12 years of business. We offer high-quality and innovative rugged computing, display, networking and data collection solutions to the embedded, industrial, and digital-out-of-home market sectors.

US

sales@assured-systems.com

Sales: +1 347 719 4508
Support: +1 347 719 4508

1309 Coffeen Ave
Ste 1200
Sheridan
WY 82801
USA

EMEA

sales@assured-systems.com

Sales: +44 (0)1785 879 050
Support: +44 (0)1785 879 050

Unit A5 Douglas Park
Stone Business Park
Stone
ST15 0YJ
United Kingdom

VAT Number: 120 9546 28
Business Registration Number: 07699660