



ALL IN ONE TOUCHSCREEN COMPUTER

AIO-W221-ASL-3L

21.5" Full HD Capacitive All IN One Touchscreen Computer with Intel® Alder lake N97 / Atom® x7835RE Processor, 3x 2.5GbE LAN



Features

- 21.5" (16:9) Full HD All-in-One Touchscreen Computer
- World Class Certifications for Safety and Reliability: CE/FCC/CB/UL/UKCA/IC
- Front IP65 Rating for protection against water and dust
- Scratch Resistant 7H Glass Hardness
- Versatile Display Outputs; HDMI and DP
- MTBF 50,000 Hours

Specifications

Display	
IP Rating	Front IP65
LCD Size	21.5" (16:9)
Max. Resolution	1920 x 1080 (Full HD)
Brightness (cd/m ²)	500 nits
Contrast Ratio	1000:1
LCD Color	16.7M
Pixel Pitch (mm)	0.248(H) x 0.248(V)
Viewing Angle	89/89/89/89 (Typ.) (CR>=10)
Backlight MTBF	50,000 Hours (LED Backlight)
Touch	
Touch Type	Projected Capacitive Touch
Surface Hardness	7H / IK07
System	
Processor	<ul style="list-style-type: none"> • 12th Gen Intel® Alder Lake-N Processor N97, 6M Cache, up to 3.60 GHz, 4 core 12W • Intel® Atom® x7835RE Processor 6M Cache, up to 3.60 GHz, 8 core 12W
System Chipset	SoC integrated
System Memory	1x 262-Pin DDR5 4800MHz SO-DIMM. Max. up to 16GB (Non-ECC)
LAN Chipset	GbE1-3: Intel i226V 2.5GbE LAN PXE Support
Audio Codec	Realtek ALC897 High Definition Audio CODEC
BIOS	AMI uEFI 256MB SPI flash
Watchdog	Software Programmable Supports 1~255 sec. System Reset
TPM	TPM2.0
Storage	
M.2 B Key	128G M.2 B Key SSD (Default)
SATA	1x SATA 3.0 6Gb/s port Support AHCI (Option)
Expansion	
M.2	1x M.2 E Key Support WiFi 6E/Bluetooth (Option) 1x M.2 B Key Support NVMe/4G/5G (Option)
I/O	
DisplayPort	1x DP 1.4a up to 4096x2304 @60Hz
HDMI	1x HDMI™ 1.4b up to 3840x2160 @30Hz
COM	2x RS-232/422/485
USB	2x USB 3.2 Gen 2 (10 Gbps)
LAN	3x 2.5GbE LAN
SIM	1x Dual Nano SIM
Others	Support up to 6x Antenna (optional)
Operating System	
Windows	Windows 10 / Windows 11
Linux	Linux Ubuntu 22.04
Power	
Power Adapter	60W (12V 5A, Default)

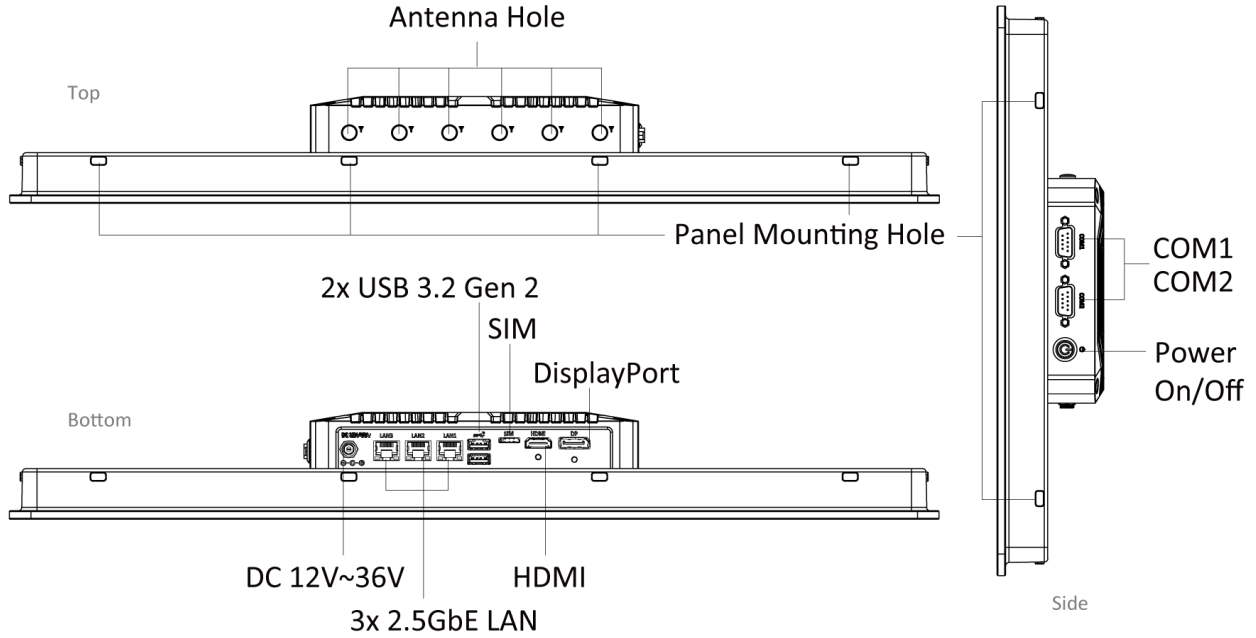
Power Supply Voltage	DC 12~36V
Power Connector	DC Jack 5.5mm/2.5mm
Environment	
Operating Temperature	-10°C to 50°C
Storage Temperature	-20°C to 60°C
Relative Humidity	10% to 80% (non-condensing)
Certification	CE, FCC Class A, CB, UL Listed, UKCA, IC
Vibration	IEC60068-2-64:2008 With SSD: 3 Grms (5 - 500 Hz, 0.5 hr/axis) Designed to comply with MIL-STD-810G Method 514.7 Procedure I
Shock	IEC60068-2-27:2008 With SSD: 20G half-sin 11ms Designed to comply with MIL-STD-810G Method 516.7 Procedure I
Physical	
Dimensions	538 (W) x 329 (H) x 62 (D) mm
Weights	5.2 kg
Mounting	VESA Mount (75mm x 75mm/100mm x 100mm) Panel Mount

* All specifications and photos are subject to change without notice.



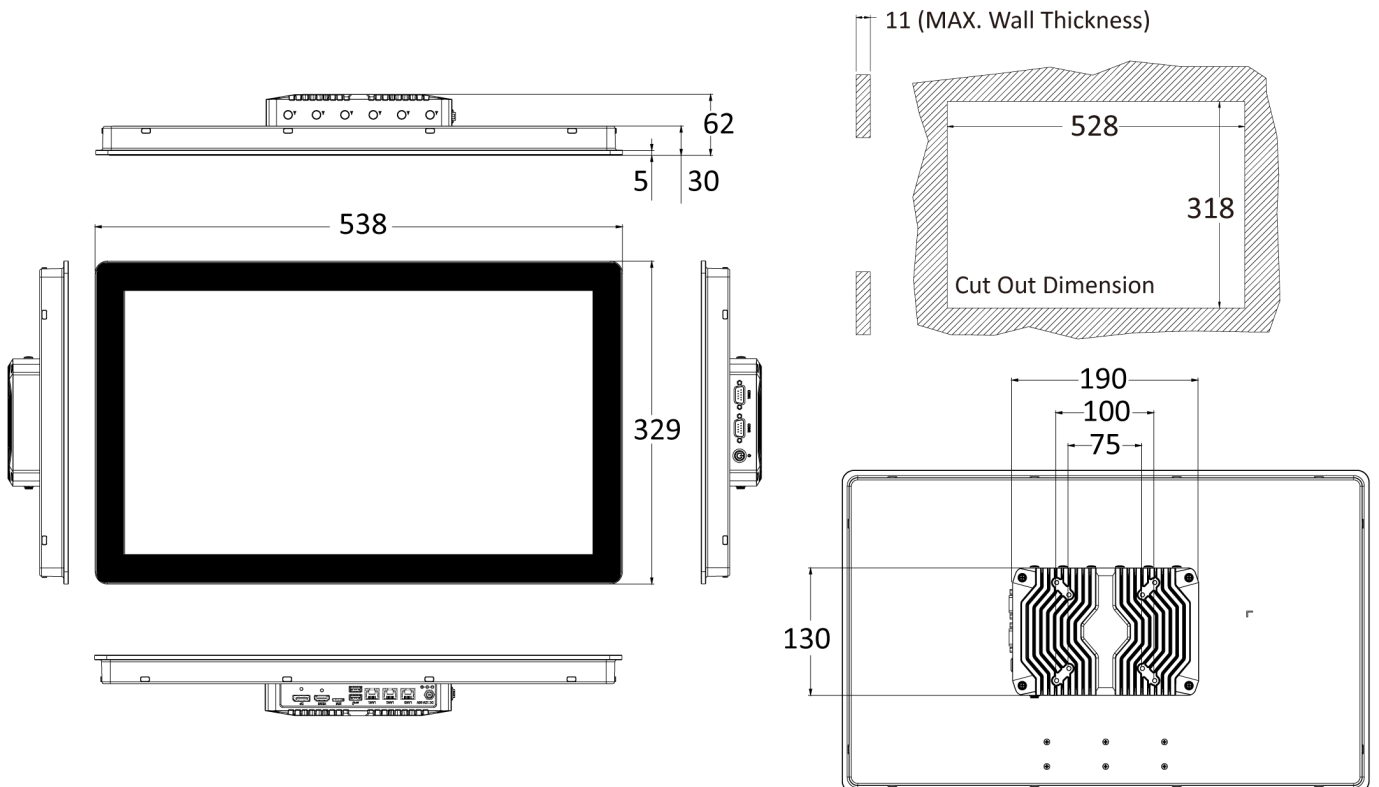
AIO-W221-ASL-3L

External I/O Mechanical Layout



Dimension

Unit: mm





AIO-W221-ASL-3L

Available Models

Model No.	Description
AIO-W221-3L-N97	21.5" Full HD Capacitive All IN One Touchscreen Computer with Intel® Alder lake N97 Processor, 3x 2.5 GbE LAN
AIO-W221-3L-X7835RE	21.5" Full HD Capacitive All IN One Touchscreen Computer with Intel® x7835RE Processor, 3x 2.5 GbE LAN

Optional Accessories

Model No.	Description
1-E09A06012	Adapter Output 12V 5A 60W / Input 100-240V
3-WIFI0801S10	WIFI 6E Module KIT, Intel, 2T2R & BT 5.3
1-TCOM00041	COM cable (CT-240125-01/CHEN PERNG)
3-AI215040S10	AIO-W221 Panel Mount Bracket Kit
1-TPWR00118	3P Terminal Block(Female) To DC Plug 5.5x2.5 With Lock_100 mm_For AIO Series
1-TLAN00028	LAN Male to Female CABLE /CAT6 A LAN Cable_8P/8C_80mm

Packing List

1x AIO-W221-ASL-3L Series Touchscreen Computer
 1x Adapter Output 12V 5A
 1x 128G M.2 B key SSD
 1x 8GB DDR5 4800 MT/s



C&T Solution Inc.

18F, No.176, Jianyi Road, Zhonghe Dist., New Taipei City 235603, Taiwan (R.O.C.)

Toll Free: +886-2-7731-7888

Email: info@candtsolution.com

<https://www.candtsolution.com>

Assured Systems

Assured Systems is a leading technology company with over 1,500 regular clients in 80 countries, deploying over 85,000 systems to a diverse customer base in 12 years of business. We offer high-quality and innovative rugged computing, display, networking and data collection solutions to the embedded, industrial, and digital-out-of-home market sectors.

US

sales@assured-systems.com

Sales: +1 347 719 4508
Support: +1 347 719 4508

1309 Coffeen Ave
Ste 1200
Sheridan
WY 82801
USA

EMEA

sales@assured-systems.com

Sales: +44 (0)1785 879 050
Support: +44 (0)1785 879 050

Unit A5 Douglas Park
Stone Business Park
Stone
ST15 0YJ
United Kingdom

VAT Number: 120 9546 28
Business Registration Number: 07699660