



L-8520BR(BRF)

Isolated RS-422/485 to RS-232 Converter



Features

- ◆ Auto direction flow control on RS-485
- ◆ Auto switching for RS-422/485 to RS-232
- ◆ Auto switching Baudrate up to 115K or 921Kbps
- ◆ Transient suppression on RS-485 data lines
- ◆ **Isolated on RS-422/RS-485 side**
- ◆ Data flow indicator for trouble shooting
- ◆ Supports RS-485 full(4-wire) / half(2-wire)
- ◆ Networking up to 4000 feet
- ◆ Mounts easily on DIN-rail or panel

Specifications

- ◇ Converted signals: RS-232 to RS-422/RS-485
- ◇ Auto switching for RS-232 to RS-422 or RS-485
- ◇ Baud Rate: Auto switching 300 ~ 115.2 Kbps (L-8520BR) or **921.6 Kbps (L-8520BRF)**.
- ◇ Supports RS-485 full(4-wire) / half(2-wire/default)
- ◇ Transmission and Receiving LED indicator
- ◇ Isolation voltage: 3000 V DC.
- ◇ Isolation Side: **RS-422 / RS-485.**
- ◇ RS-232 interface connector: Female DB-9.
- ◇ RS-422/RS-485 connector: Plug-in screw terminal
- ◇ High ESD protection level : up to 25 kV
- ◇ EMS Protection: IEC-61000-4-2 (EDS) Level 4
- ◇ Case: ABS with captive mounting hardware.
- ◇ Accessories (Supplied):NYLON DIN-rail Mounting Adapter SECC Panel Mounting Bracket.
- ◇ Plug-in screw terminal wiring: Accepts AWG 1-#12 to #22 (0.5 to 2.5 mm) wires.
- ◇ Operating temperature: -10 ~ 70° C (14~158° F)

- ◇ Storage temperature: -25 ~ 85 °C (13 ~ 185 °F)
- ◇ Humidity: 5 ~ 95%, non-condensing
- ◇ Power Requirement:
 - Power Consumption: 1.2 W (Typical)
 - Power Input: +10 ~ +30 VDC, **(Or from RS-232 D-type connector PIN-9)**

Order information

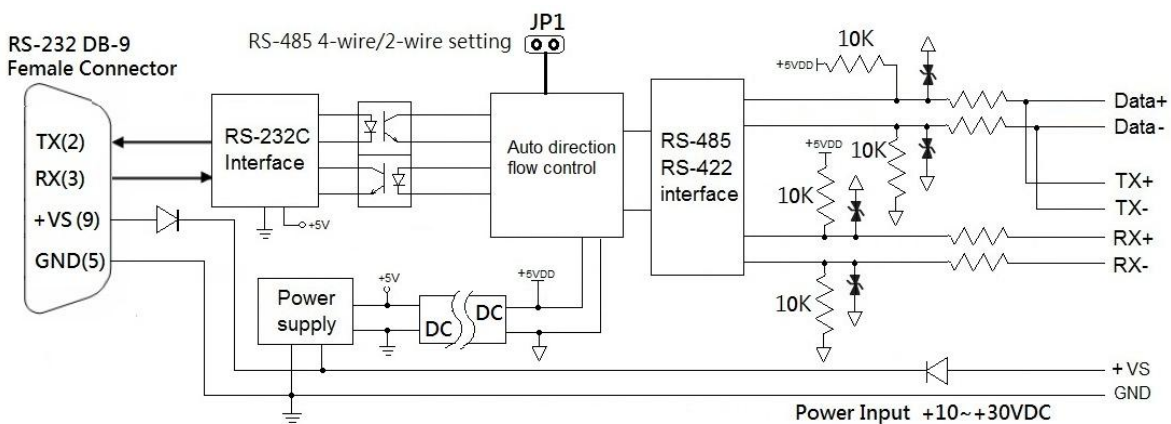
L-8520BR : Isolated on RS-422/485 side
Isolated RS-422/485 to RS-232 Converter
(115.2Kbps)

L-8520BRF : Isolated on RS-422/485 side
Isolated RS-422/485 to RS-232 Converter
(921.6Kbps)

L-8520B : Isolated on RS-232 side
Isolated RS-232 to RS-422/485 Converter
(115.2Kbps)

Flexible OEM/ODM design

Block Diagram



Assured Systems

Assured Systems is a leading technology company with over 1,500 regular clients in 80 countries, deploying over 85,000 systems to a diverse customer base in 12 years of business. We offer high-quality and innovative rugged computing, display, networking and data collection solutions to the embedded, industrial, and digital-out-of-home market sectors.

US

sales@assured-systems.com

Sales: +1 347 719 4508
Support: +1 347 719 4508

1309 Coffeen Ave
Ste 1200
Sheridan
WY 82801
USA

EMEA

sales@assured-systems.com

Sales: +44 (0)1785 879 050
Support: +44 (0)1785 879 050

Unit A5 Douglas Park
Stone Business Park
Stone
ST15 0YJ
United Kingdom

VAT Number: 120 9546 28
Business Registration Number: 07699660